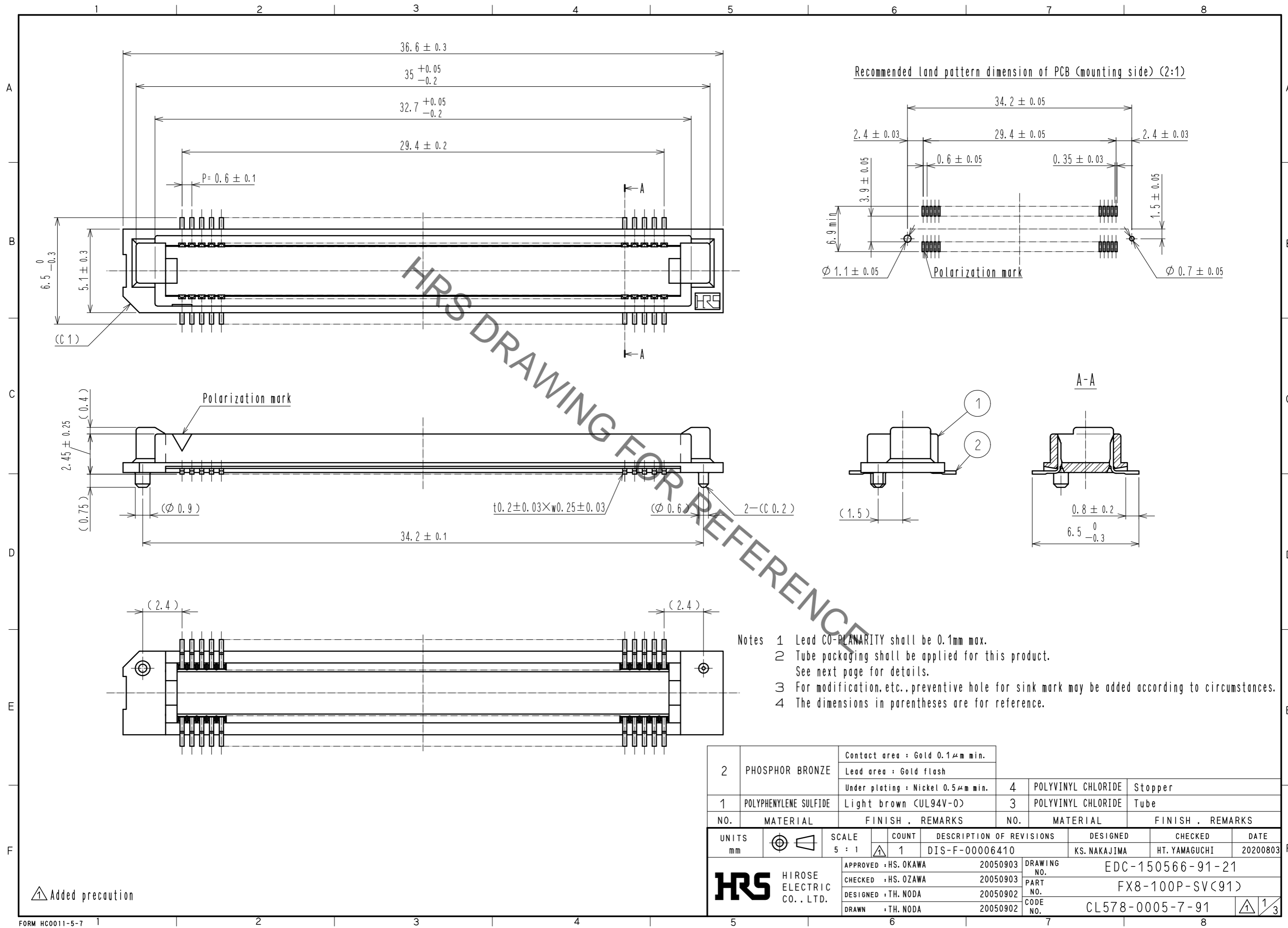


Aug.1.2020 Copyright 2020 HIROSE ELECTRIC CO., LTD. All Rights Reserved.
In case of consideration for using Automotive equipment / device which demand high reliability, kindly contact our sales window correspondents.

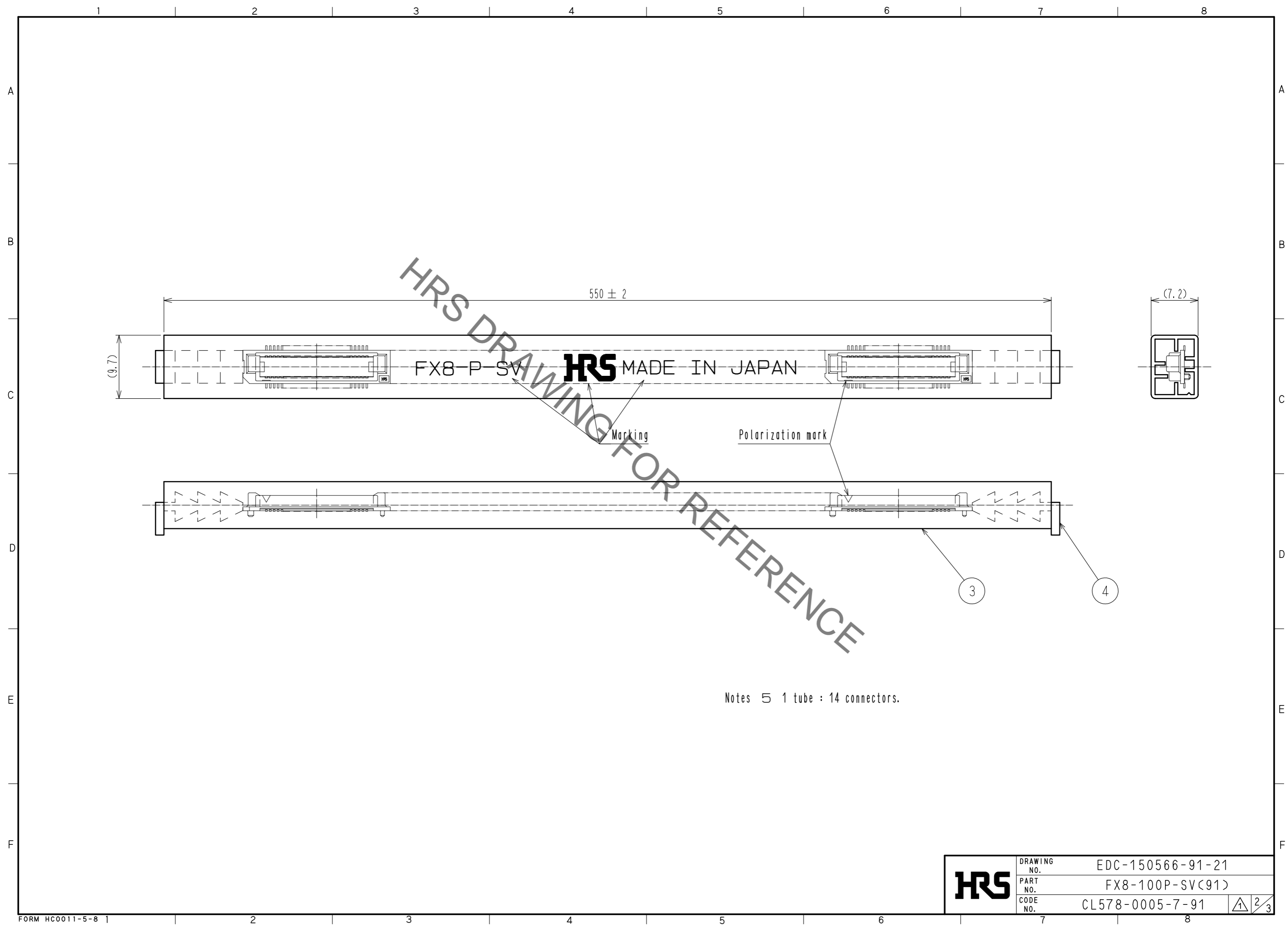


- Notes
- 1 Lead CO-PLANARITY shall be 0.1mm max.
 - 2 Tube packaging shall be applied for this product. See next page for details.
 - 3 For modification, etc., preventive hole for sink mark may be added according to circumstances.
 - 4 The dimensions in parentheses are for reference.

2	PHOSPHOR BRONZE	Contact area : Gold 0.1 μ m min.	4	POLYVINYL CHLORIDE	Stopper
		Lead area : Gold flash			
1	POLYPHENYLENE SULFIDE	Under plating : Nickel 0.5 μ m min.	3	POLYVINYL CHLORIDE	Tube
		Light brown (UL94V-0)			
NO.	MATERIAL	FINISH . REMARKS	NO.	MATERIAL	FINISH . REMARKS
UNITS mm		SCALE 5 : 1	COUNT 1	DESCRIPTION OF REVISIONS DIS-F-00006410	
DESIGNED KS. NAKAJIMA		CHECKED HT. YAMAGUCHI		DATE 20200803	
APPROVED : HS. OKAWA		20050903		DRAWING NO. EDC-150566-91-21	
CHECKED : HS. OZAWA		20050903		PART NO. FX8-100P-SV(C91)	
DESIGNED : TH. NODA		20050902		CODE NO. CL578-0005-7-91	
DRAWN : TH. NODA		20050902		1/3	

Added precaution

Aug.1.2020 Copyright 2020 HIROSE ELECTRIC CO., LTD. All Rights Reserved.
In case of consideration for using Automotive equipment / device which demand high reliability, kindly contact our sales window correspondents.



HRS	DRAWING NO.	EDC-150566-91-21
	PART NO.	FX8-100P-SV(91)
	CODE NO.	CL578-0005-7-91

2/3

Aug.1.2020 Copyright 2020 HIROSE ELECTRIC CO., LTD. All Rights Reserved.
In case of consideration for using Automotive equipment / device which demand high reliability, kindly contact our sales window correspondents.

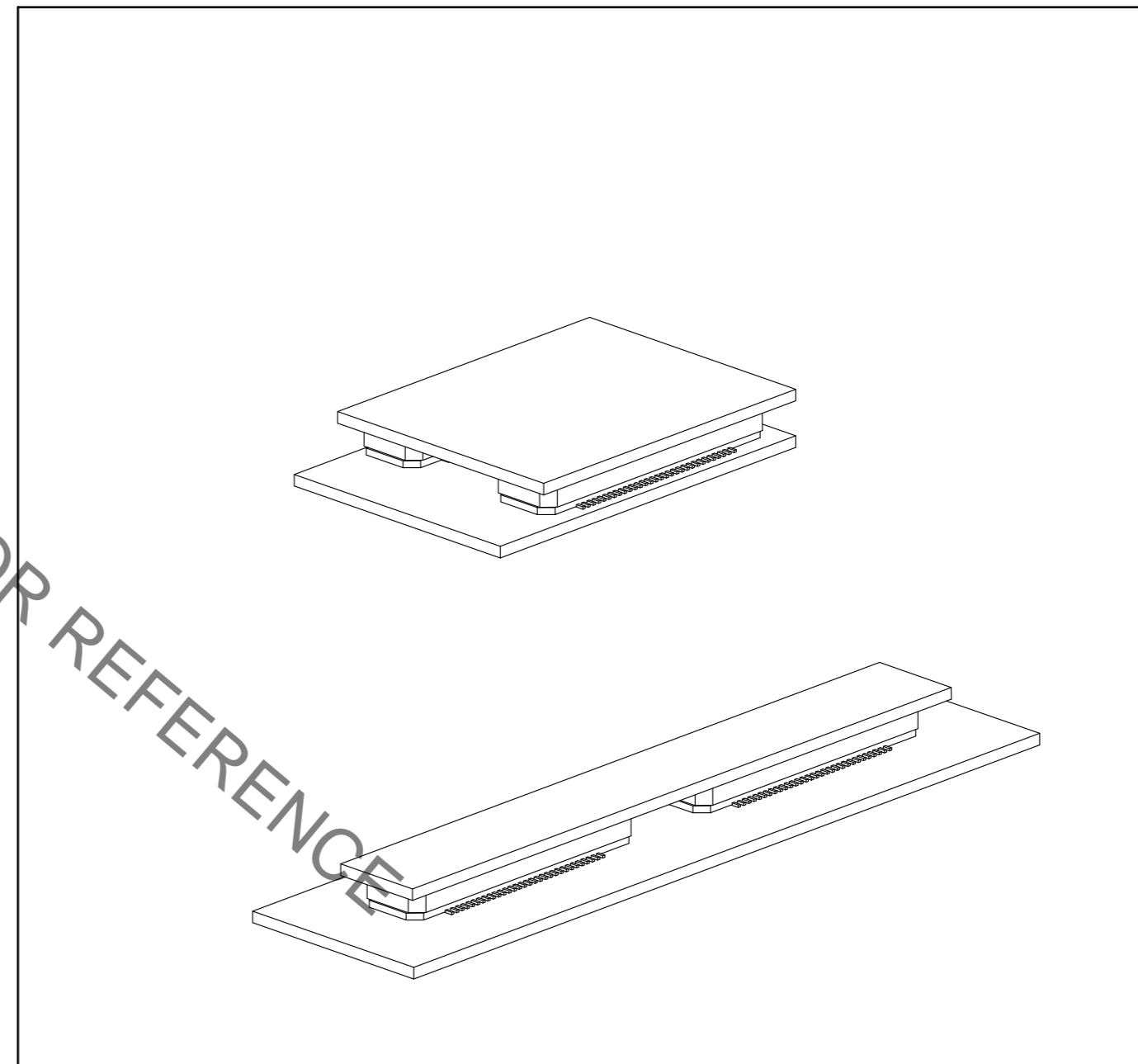
【 Precaution 】

When a board with multiple connectors mounted is mated, the connector may be damaged or deformed.
Please divide one side of the board so only one connector is mated per board.

OK



NG



HRS DRAWING FOR REFERENCE

HRS	DRAWING NO.	EDC-150566-91-21
	PART NO.	FX8-100P-SV(91)
	CODE NO.	CL578-0005-7-91
		3/3

Mouser Electronics

Authorized Distributor

Click to View Pricing, Inventory, Delivery & Lifecycle Information:

[Hirose Electric:](#)

[FX8-100P-SV\(91\)](#)