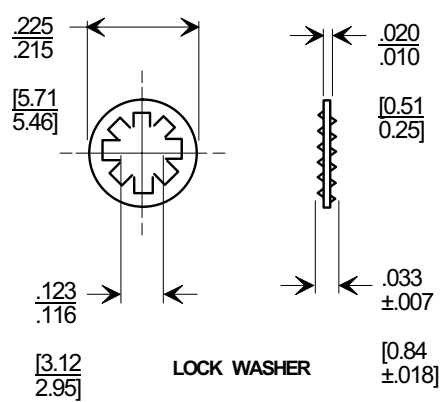
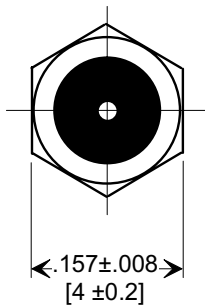
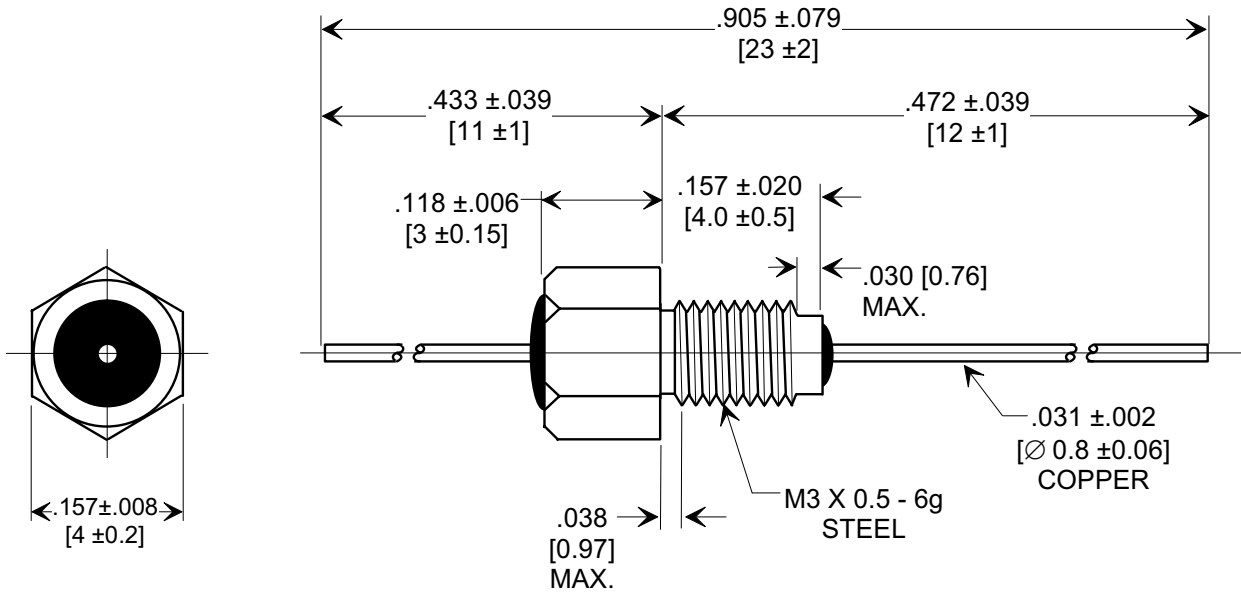
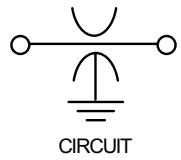
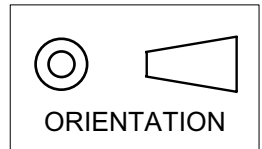


MARKETING SALES DRAWING
DIMENSIONS IN INCHES - DO NOT SCALE THIS DRAWING
DIMENSIONS IN METRIC []

Electrical Testing
per Tusonix standard
test plans and Mil-Std-202
Test Methods.



NOTES:

1. TUSONIX STANDARD PART NUMBER: 4400-091.
TUSONIX RoHS COMPLIANT PART NUMBER: 4400-091 LF.
CUSTOMER MUST SPECIFY STANDARD OR RoHS PART NUMBER WHEN ORDERING.
2. MATERIALS: BUSHING; SILVER PLATED. LEAD; SILVER PLATED.
3. PART MARKING: TRADEMARK AND VARIATION NUMBER ON HEX FLATS. STANDARD PART: BLACK INK. RoHS PART: GREEN INK.
4. OPERATING TEMP. RANGE: -55°C TO +125°C.
5. MAX. RECOMMENDED SOLDERING TEMPERATURE : 260° C.
6. SUPPLIED WITH SILVER PLATED INTERNAL TOOTH LOCK WASHER.
7. MAX. RECOMMENDED MOUNTING TORQUE : 2.0 Lb. in. [.226 Nm.].

| CAP.(pf) | TOLERANCE | DC WORKING VOLTAGE | | DC CURRENT (AMPS) | I.R. MIN. @ 100 (VDC) | DWV (VDC) | MIN. NO LOAD INSERTION LOSS (db) @ 25°C PER MIL-STD-220 | | | | |
|----------|-----------|--------------------|--------|-------------------|-----------------------|-----------|---|--------|---------|-------|--------|
| | | 85°C | 125 °C | | | | 1 MHz | 10 MHz | 100 MHz | 1 GHz | 10 GHz |
| 1,000 | GMV | 300 | 200 | 10 | 10 G Ω | 500 | ---- | 5 | 20 | 35 | 45 |

| | | | |
|---|----------|-----------------------------------|--|
| REVISION RECORD Original Release C.O. 19980908-3-03 ADDED IR, ADDED & REVISED NOTES. S.M. 12-01-05 20051128-1-11 | 0 | TUSONIX TUCSON, ARIZONA | BUSHING STYLE EMI FILTER |
| | 1 | | ---TOLERANCES--- Unless Otherwise Specified |
| | 1 | | DECIMAL ± NOTED ANGLES ± |
| | 1 | | Title BUSHING STYLE EMI FILTER Drawn S.M. 09-11-98 Approved J.Mc. 09-11-98 A 4400-091 |

X-2015 Rev-0

Mouser Electronics

Authorized Distributor

Click to View Pricing, Inventory, Delivery & Lifecycle Information:

[Tusonix / CTS:](#)

[4400-091LF](#)