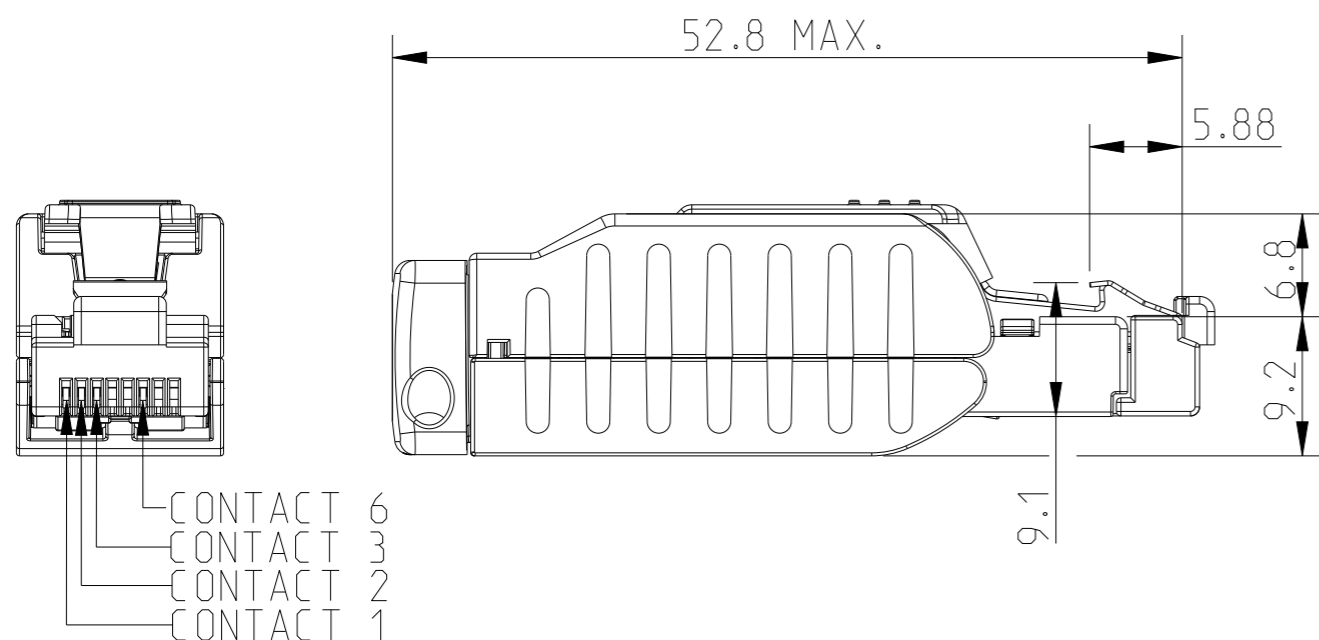
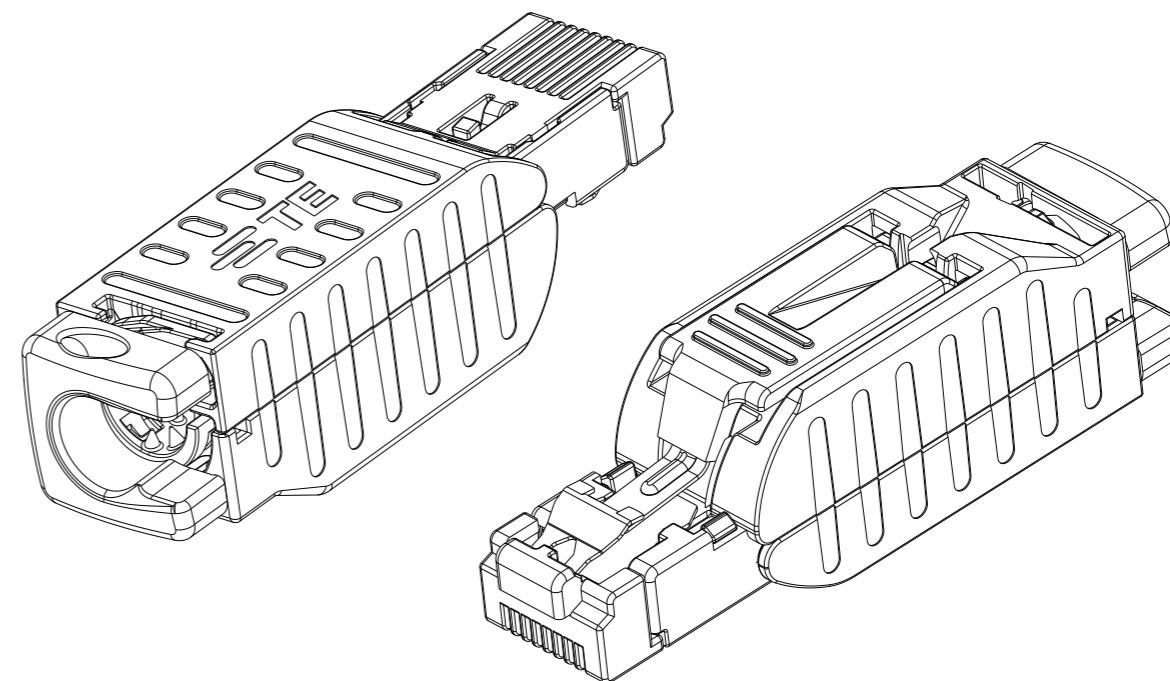
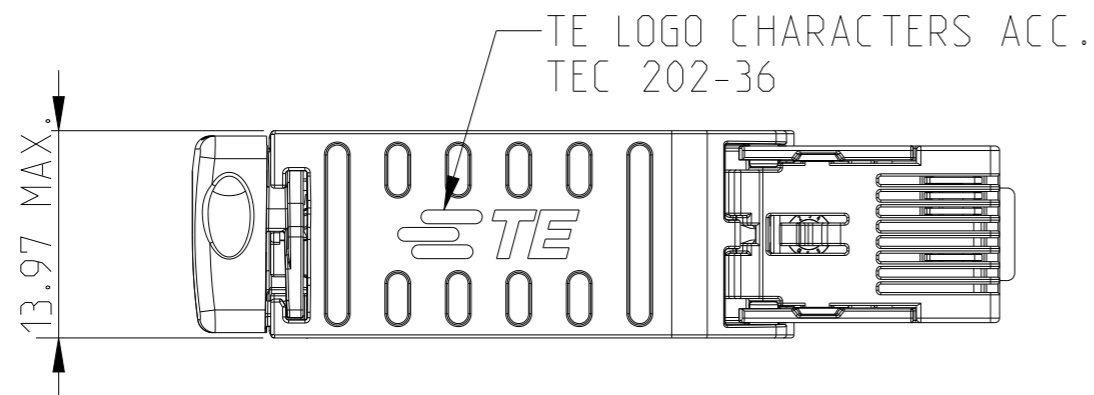


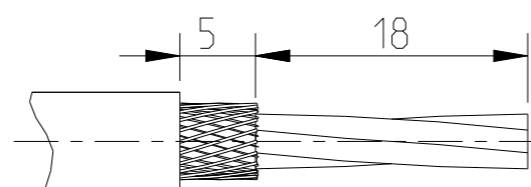
P	LTR	DESCRIPTION	DATE	DWN	APVD
A1		RELEASE TO PRODUCTION	22SEP2022	SS	JDB
A2		DIMENSIONAL TOLERANCES REMOVED	28SEP2022	SS	JDB
A3		NOTE 3 ADDED (PROP 65 WARNING)	07FEB2023	SS	JDB



COLOR ALLOCATION OF TERMINAL WIRE TO RJ45 CONTACT:

CONTACT NO.	WIRE COLOR
1	YELLOW
2	ORANGE
3	WHITE
6	BLUE

RECOMMENDED STRIPPING LENGTH



50	10	1	CONNECTOR PACKED WITH INSTRUCTION SHEET
-3	-2	-1	DESCRIPTION
QTY REQD PER ASSY			PART LIST

1 MATES WITH RJ45 SOCKET ACC. TO IEC 60603-7:2008

2 VISUAL INSPECTION, OF THE DIE CAST PARTS, ACCORDING TO TE-SPEC. 101-85241

3 PROP 65 WARNING LABEL: SEE SHEET 2

THIS DRAWING IS A CONTROLLED DOCUMENT.

DIMENSIONS:  
mm



MATERIAL  
GD-Zn

TOLERANCES UNLESS OTHERWISE SPECIFIED:

0 PLC	±	
1 PLC	±	0.3
2 PLC	±	
3 PLC	±	
4 PLC	±	
ANGLES		±3°
FINISH		Ni

DWN S SHARMA 15SEP2021

CHK N TAMMINEN 15SEP2021

APVD J DE BRUIJN 15SEP2021

PRODUCT SPEC 108-94864

APPLICATION SPEC 114-94765

WEIGHT -

CUSTOMER DRAWING



TE Connectivity

NAME RJ45 FIELD INSTALLABLE CABLE CONN.

SIZE A3 CAGE CODE 00779 DRAWING NO. C-2383216 RESTRICTED TO -


SCALE 2:1 SHEET 1 OF 2 REV A3

REVISIONS					
P	LTR	DESCRIPTION	DATE	DWN	APVD
	-	SEE SHEET 1	-	-	-

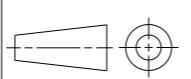
NOTES: CONTINUATION FROM SHEET 1:

3 PROP 65 WARNING LABEL:

- THE WARNING LABEL ON THE PRODUCT OR LOWEST LEVEL PACKAGING.
- CHEMICAL NAME: ANTIMONY TRIOXIDE



**WARNING:** This product can expose you to chemicals including ANTIMONY TRIOXIDE which is known to the state of California to cause cancer. For more information, visit [www.P65Warnings.ca.gov](http://www.P65Warnings.ca.gov).

THIS DRAWING IS A CONTROLLED DOCUMENT.		DWN S SHARMA 15SEP2021	<b>TE</b> TE Connectivity			
DIMENSIONS: mm		CHK N TAMMINEN 15SEP2021				
		APVD J DE BRUIJN 15SEP2021	NAME RJ45 FIELD INSTALLABLE CABLE CONN.			
		PRODUCT SPEC 108-94864	-			
TOLERANCES UNLESS OTHERWISE SPECIFIED: 0 PLC ± 1 PLC ± 2 PLC ± 0.3 3 PLC ± 4 PLC ± ANGLES ±3°		APPLICATION SPEC 114-94765	SIZE A3	CAGE CODE 00779	DRAWING NO G-2383216	RESTRICTED TO -
MATERIAL GD-Zn	FINISH Ni	WEIGHT -	CUSTOMER DRAWING			
			SCALE 2:1	SHEET 2 OF 2	REV A3	

# Mouser Electronics

Authorized Distributor

Click to View Pricing, Inventory, Delivery & Lifecycle Information:

[TE Connectivity:](#)

[2383216-1](#) [2383216-3](#) [2383216-2](#)