

PLEASE CHECK WWW.MOLEX.COM FOR LATEST PART INFORMATION

Part Number: [0015040219](#)
Status: **Active**
Overview: [KK Interconnect Solutions](#)
Description: 3.96mm Pitch KK Polarizing Key without Boss

Documents:

| | |
|-------------------------------|--|
| 3D Model | 3D Model (PDF) |
| Drawing (PDF) | RoHS Certificate of Compliance (PDF) |

General

| | |
|----------------|---|
| Product Family | Accessories |
| Series | 2560 |
| Component Type | Polarizing Key |
| Overview | KK Interconnect Solutions |
| Product Name | KK 396 |
| UPC | 800753605404 |

Physical

| | |
|---------------------|---------|
| Circuits (Loaded) | 1 |
| Circuits (maximum) | 1 |
| Color - Resin | Natural |
| Lock to Mating Part | No |
| Material - Resin | Nylon |
| Net Weight | 0.037/g |
| Packaging Type | Bag |

Solder Process Data

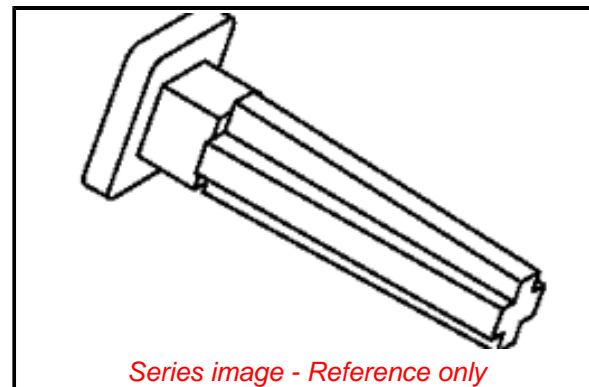
| | |
|-----------------------------|-----|
| Lead-freeProcess Capability | N/A |
|-----------------------------|-----|

Material Info

| | |
|--------------------|--------|
| Engineering Number | 2560-1 |
|--------------------|--------|

Reference - Drawing Numbers

| | |
|---------------|-------------|
| Sales Drawing | SD-2560-001 |
|---------------|-------------|



Series image - Reference only

EU ELV

Not Relevant

EU RoHS

Compliant

REACH SVHC

Not Contained Per -
D(2021)4569-DC (8
July 2021)

Halogen-Free

Status

Low-Halogen

For more information, please visit [Contact US](#)

China ROHS

ELV

RoHS Phthalates

China RoHS

Green Image

Not Relevant

Not Contained

Search Parts in this Series

[2560](#) Series

Use With

[2139](#) KK Crimp Terminal. [2145](#) KK PC Board Connector

Mouser Electronics

Authorized Distributor

Click to View Pricing, Inventory, Delivery & Lifecycle Information:

[Molex:](#)

[15-04-0219](#)