

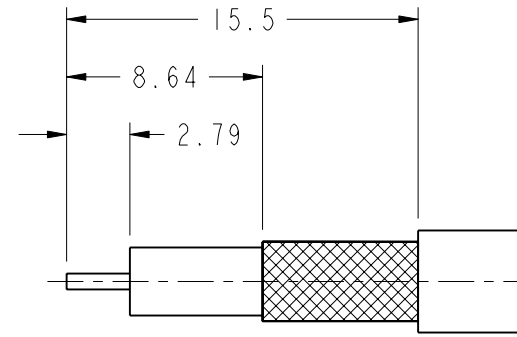
NOTES:

1. MATERIALS AND FINISHES:  
 BODY - STAINLESS STEEL, PASSIVATED  
 CONTACT - BERYLLIUM COPPER, GOLD PLATING  
 INSULATOR - PTFE, NATURAL
2. ELECTRICAL:  
 A. IMPEDANCE: 50 OHM  
 B. FREQUENCY RANGE: DC 0-12.4 GHz  
 C. DIELECTRIC WITHSTANDING VOLTAGE: 1000 VRMS, MIN.
3. MECHANICAL:  
 A. DURABILITY: 500 CYCLES MIN.  
 B. TEMPERATURE RANGE: -65°C to +165°C
4. CRIMP WITH AMPHENOL TOOL 227-994, DIE SET 227-1221-03 CAVITY B, (.128 HEX.)
5. PACKAGE CONNECTOR IN ANTI-STATIC BAG 999-284, MARK BAG "AMPHENOL 901-9602-3SF AND DATE CODE"
6. DESIGNED FOR USE WITH RG-174, -179, -187, -188 AND -316/U CABLES.

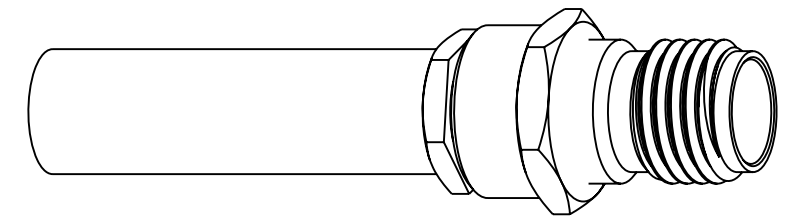
THIRD ANGLE PROJ.

REVISIONS

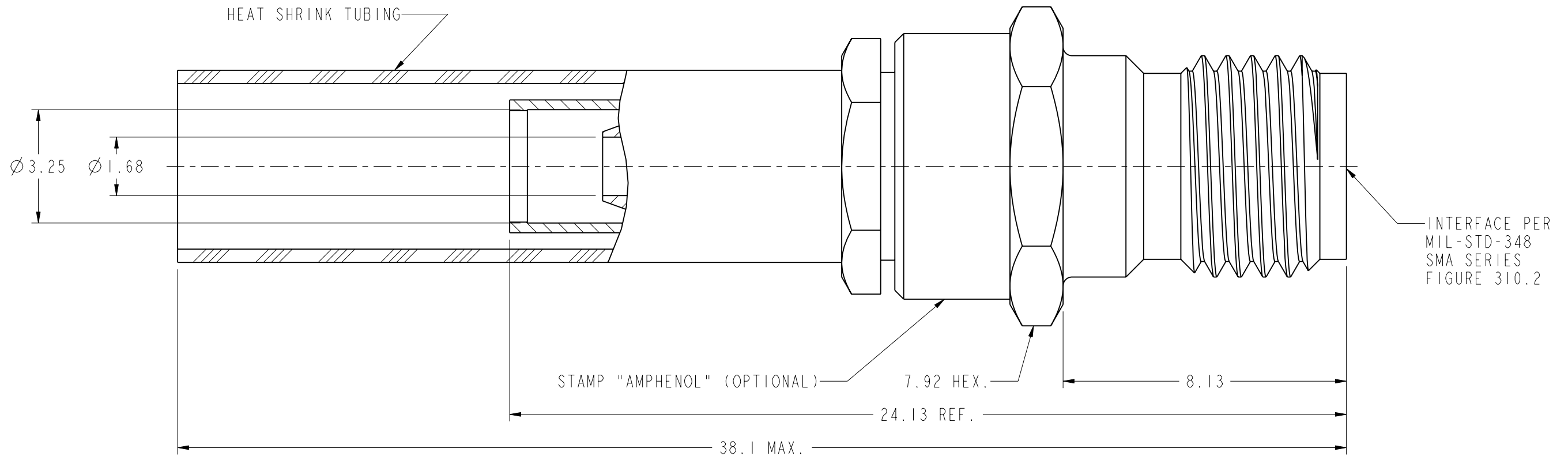
REV	DESCRIPTION	DATE	ECO	APPR
G	RELEASE FOR ARFA PRODUCTION	01-Nov-10	48324	TD



RECOMMENDED  
CABLE STRIPPING DIM'S  
SCALE 3.000



SCALE 3.000



**CUSTOMER OUTLINE DRAWING**

ALL OTHER SHEETS ARE FOR INTERNAL USE ONLY

UNLESS OTHERWISE SPECIFIED, DIMENSIONS ARE IN METRIC AND TOLERANCES ARE:  
 <0.5mm ±0.05mm    0.5 - 6mm ±0.1mm    6 - 30mm ±0.2mm    30 - 120mm ±0.3mm    ANGLES ±1°

NOTICE - These drawings, specifications, or other data (1) are, and remain the property of Amphenol corp. (2) must be returned upon request; and (3) are confidential and not to be disclosed to any person other than those to whom they are given by Amphenol Corp. the furnishing of these drawings, specifications, or other data by Amphenol Corp., or to any other person to anyone for any purpose is not to be regarded by implication or otherwise in any manner licensing, granting rights to permitting such holder or any other person to manufacture, use or sell any product, process or design, patented or otherwise, that may in any way be related to or disclosed by said drawings, specifications, or other data.

MATERIAL	DRAWN	DATE	TITLE	Amphenol RF
	T. DENG	01-Nov-10		
REFERENCE AND CONFIGURATION LEVEL:	ENGINEER	DATE	CRIMP TYPE	www.amphenolrf.com
	R. AVERY	20-Dec-76	FOR RG-316/U	DRAWING NO. 901-9602-3SF
FINISH	APPROVED	DATE	SCALE: 8.0:1.0	ITEM NO. 901-9602-3SF
	S. HSIEH	01-Nov-10	SHEET 2 OF 2	PART NO. 901-9602-3SF
	CAD FILE		DWG SIZE	
	Root Folder/SMA/901-9602-3SF		B	REV G

# Mouser Electronics

Authorized Distributor

Click to View Pricing, Inventory, Delivery & Lifecycle Information:

[Amphenol:](#)  
[901-9602-3SF](#)