

REV.	DESCRIPTION	DRAWN	CHECKED	APPROVED
A	NEW RELEASE	HP 21/06/05	~	LJC 21/06/05
B	整理图面	YCH 09/17/07	~	

NOTES:

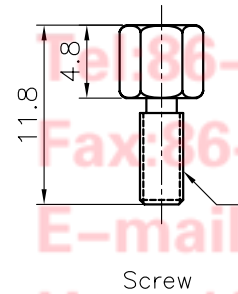
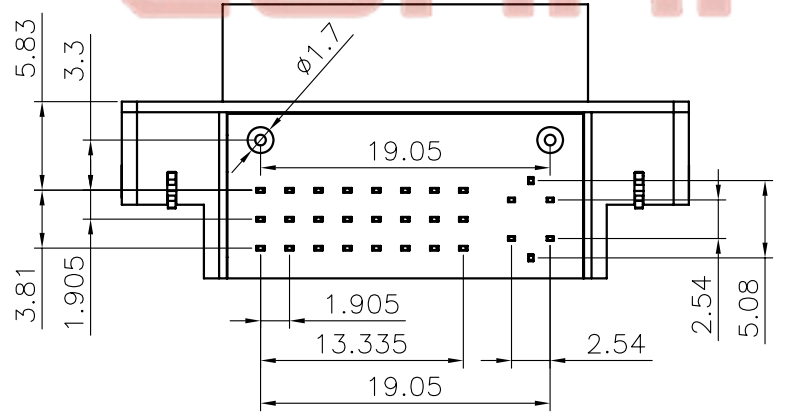
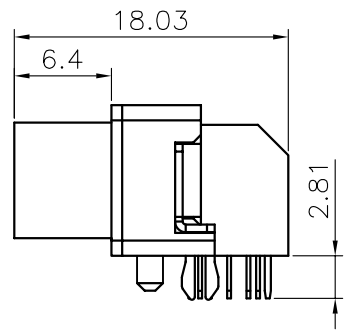
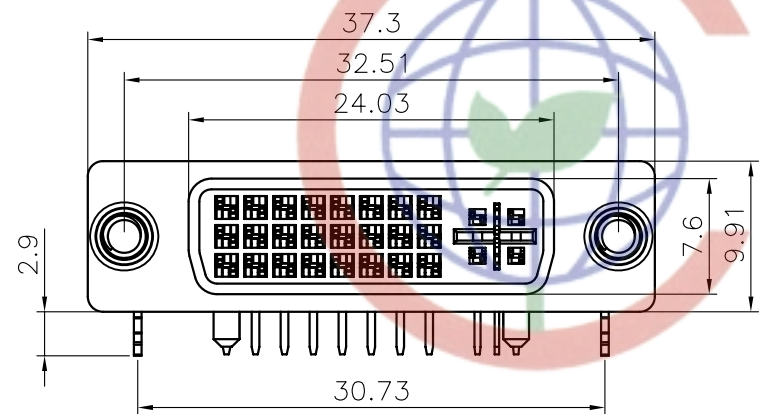
1. SPECIFICATIONS

- . Contact Resistance: 30mΩ max
- . Insulation Resistance: 1000MΩ min.
- . Current Rating: 1A
- . Dielectric withstanding voltage: AC 500V For 1 minute
- . Contact: Copper alloy.
- . Housing: Thermoplastic(UL 94V-0)

2. PRODUCT NUMBER CODE:

DS1091 - X X X X

- Screw type
- X: W/O screw
- S: W/ #4-40(UNC) screw
- D: Rivet Type With Screw In Bulk Package
- Contact plating
- 0: Selective gold flash
- Shell plating
- N: Nickel
- 6: Tin
- Color of housing
- W: WHITE
- B: BLACK
- V: Ivory



CONNFLY

Tel: 86-574-63508787
 Fax: 86-574-63510817
 E-mail: sale@zhenqin.com.cn
 Http://www.connfly.com

GENERAL TOLERANCE		ANGLE TOLERANCE		PROJECTION	TITLE	DVI PLUG WITH RIGHT ANGLE 24+5(JDR-245)	
X.	±0.60	X.	±5°	mm			
.X	±0.38	.X	±3°	A4	SHEET SIZE	DS1091	
.XX	±0.25	.XX	±2°				
DRAWING TYPE		CUSTOMER		晨翔电子有限公司 CONNFLY CONNFLY ELECTRONIC CO. LTD			
SCALE		SHEET					
DRAWING NO.		1 OF 1					
		C-DS1091-XXXX					