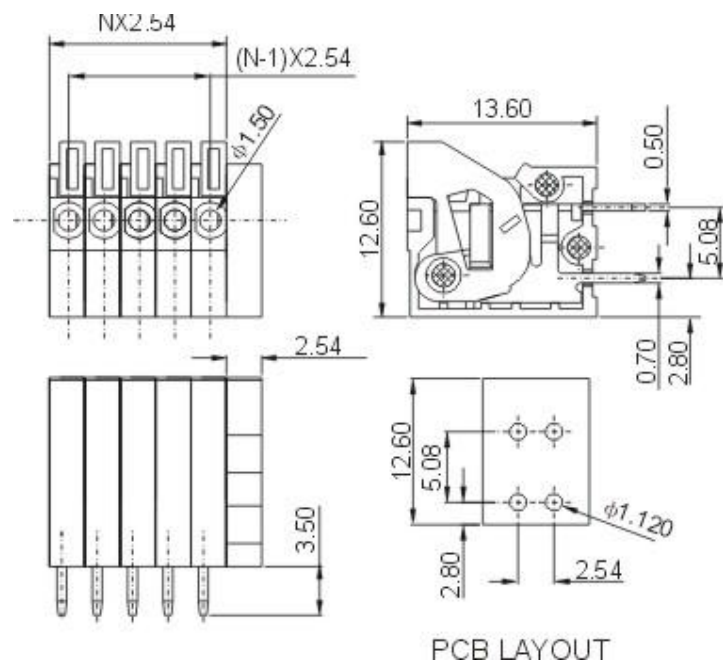


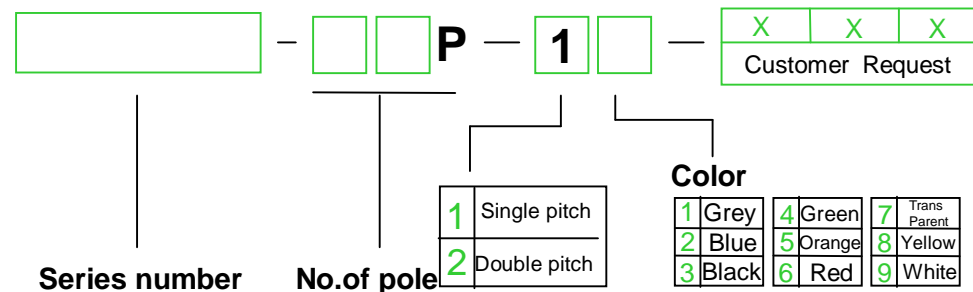


DG141V-2.54



Approval		
Electrical		
Standard	UL	IEC
Rated voltage	150V	130V
Rated current	2A	6A
Wire range	24-20AWG	0.2-1.0mm ²
Withstanding voltage	AC1250V/1Min	
Mechanical		
Ambient temperature	-40°C ~ +105 °C	
Strip length	11mm	
Dimensions		
Pitch	2.54mm (.100")	
Poles	1P-XXP	
Material		
Housing	PA66+5%GF, UL94V-0	
Pin header	Brass, Tin plated	
Wire guard	Stainless steel	

HOW TO ORDER :



 mm (INCH)	 DEGSON ELECTRONICS CO., LTD.
 THROANGLE PROJECTION	NAME DG141V-2.54