

Keystone Speaker Connector



Keystone speaker connectors provide an easy solution for distributing audio signals within office or work area. These gold plated binding post connectors are designed for a quick screw-on or plug-in cable termination and the keystone adaptors provide an easy snap-in mounting into a keystone patch panel.

Features

- Universal keystone design to fit standard keystone panels
- Screw style or plug-in installation for quick and easy termination
- Suitable for a wide array of audio and video applications
- Central cylindrical cavity suitable for use with “banana” connector
- Black or red identifier on the front; screw termination at the rear
- Available as part of our innovative Panel Mount and D UNIVERSAL ranges.

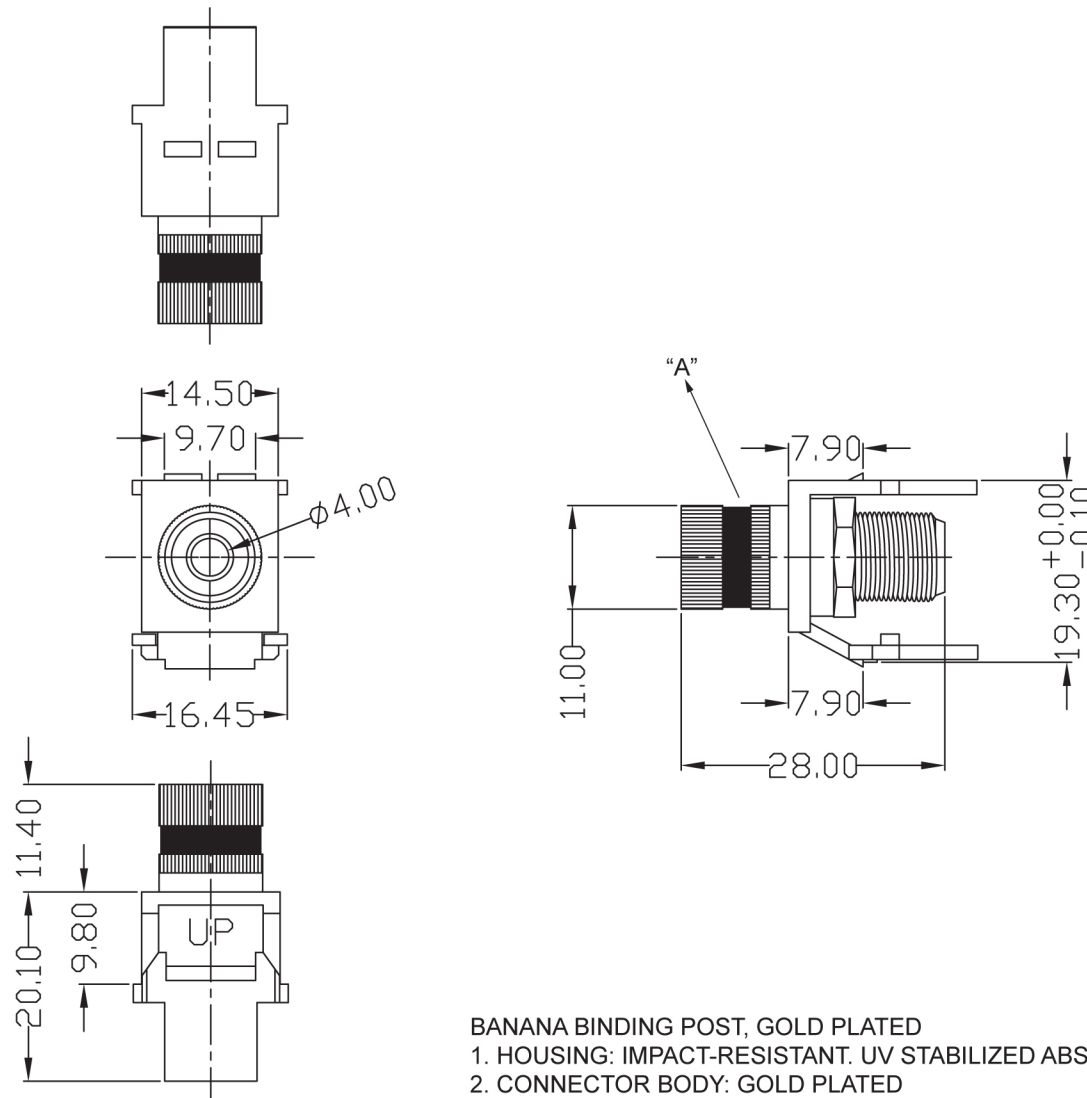


Specifications

- Weight: 14g approx
- Dimensions: 31.5 x 16.5 x 19.5mm approx.
- Colour:
 - Connector body: gold
 - Housing: black
 - Positive/negative identification ring: black or red
- Materials:
 - Connector body: gold plated brass
 - Housing: ABS UL94V-0

ROHS Compliant

**Code: KSPbk
KSPrd**



- BANANA BINDING POST, GOLD PLATED
1. HOUSING: IMPACT-RESISTANT. UV STABILIZED ABS PLASTIC
 2. CONNECTOR BODY: GOLD PLATED
 3. "A" COLOURED 10 RING IN RED ("rd") OR BLACK ("bk")