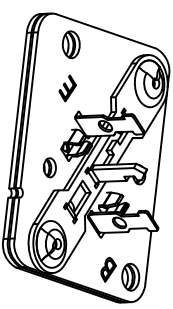
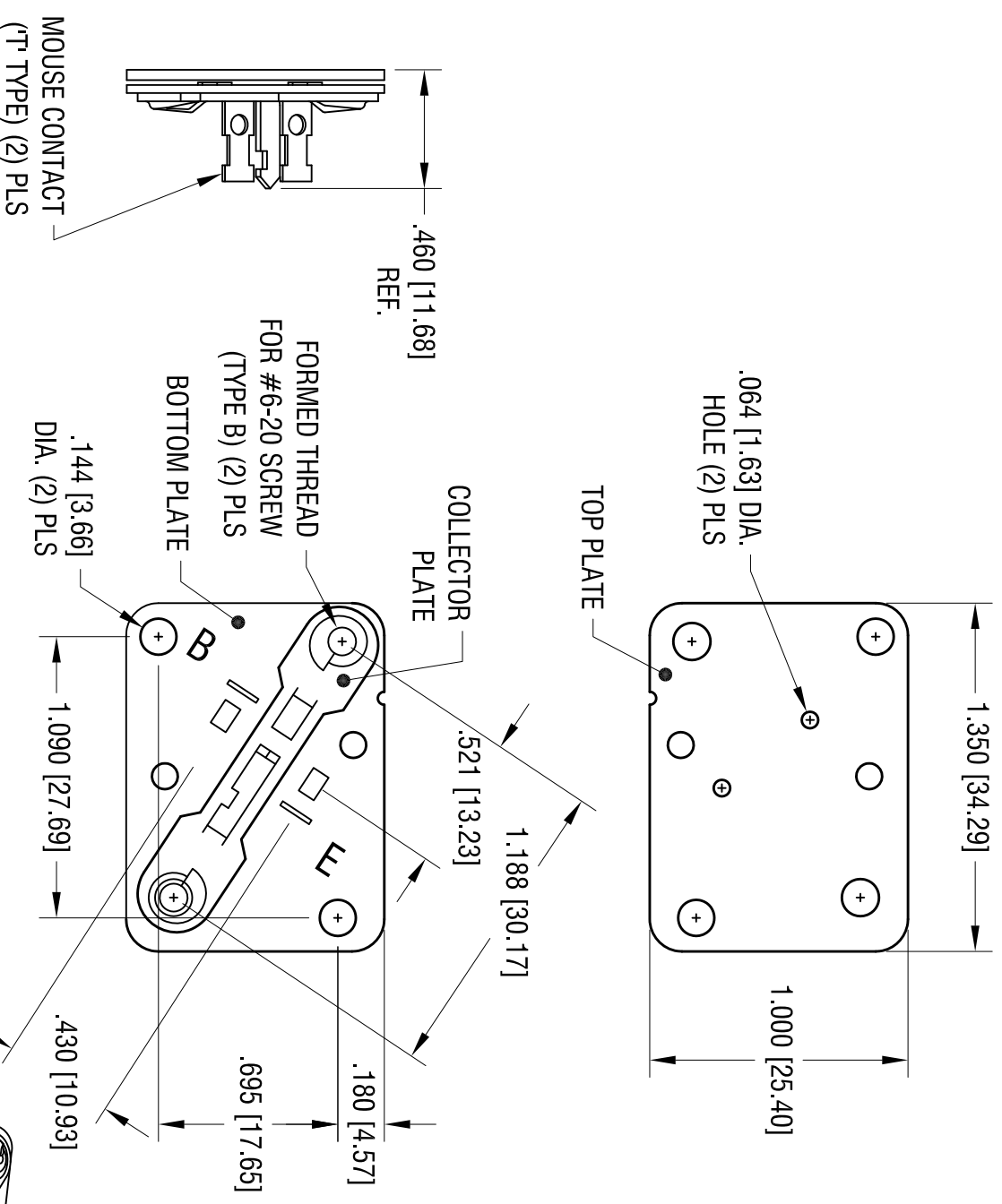


DATE	DESCRIPTION	REV.
3.14.07	ECN 07-014 REDRAWN	B
1.30.19	CHANGE AS PER ECN 19-016	C



NOTES:

TOP PLATE:
MAT'L - .032 [0.81] THK PHENOLIC

BOTTOM PLATE:
MAT'L - .032 [0.81] THK PHENOLIC

COLLECTOR PLATE:
MAT'L - .032 [0.81] THK STEEL
FINISH - TIN PLATE

MOUSE CONTACT (T^r TYPE):
MAT'L - .013 [0.33] THK BRASS
FINISH - TIN PLATE

KEYSTONE ELECTRONICS CORP.

www.keystone.com • NEW HYDE PARK, NY 11040 • Tel (516) 328-7500

PART NAME
TO-3 POWER TRANSISTOR SOCKET

MATERIAL
AS NOTED

FINISH
AS NOTED

DRN BY: BOONE DATE: 10.18.82

App'D: LN SCALE: 1.5X

TOLERANCES INCH [MM]

DECIMAL ± .005 [± 0.13]

ANGULAR ± 1°

UNLESS OTHERWISE SPECIFIED

CODE C DWG NO. 4606

THIS DOCUMENT IS THE PROPERTY OF KEYSTONE ELECTRONICS CORP. AND SHALL NOT BE REPRODUCED, DISTRIBUTED OR USED AS A BASIS FOR MANUFACTURE WITHOUT PRIOR WRITTEN PERMISSION FROM KEYSTONE ELECTRONICS CORP.

Mouser Electronics

Authorized Distributor

Click to View Pricing, Inventory, Delivery & Lifecycle Information:

[Keystone Electronics:](#)

[4606](#)