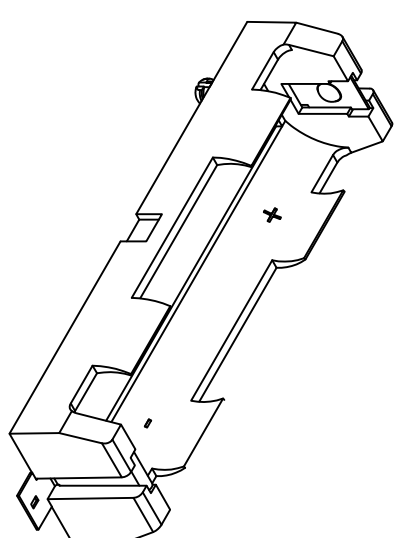


DATE	DESCRIPTION	REV.
10.08.13	CHANGE AS PER ECN 13-091 CONTACT MAT'L PHOSPHOR BRONZE	A
1.14.20	CHANGE AS PER ECN 20-001 (B1) WAS 3.386 [86.00] ADJUST MOUNTING LAYOUT TO MAX. TOLERANCE.	B

- NOTE:
1. BASE:
MAT'L: HEAT RESISTANCE NYLON
STANYL 46 OR EQUIVALENT
 2. CONTACT:
MAT'L: .012 [0.30] THK STAINLESS STEEL
FINISH: GOLD FLASH, OVER NICKEL PLATE
 3. HOLDER DESIGNED FOR LONGER BATTERIES
WITH BUILD IN CIRCUIT PROTECTION



THIS DOCUMENT IS THE PROPERTY OF KEYSTONE ELECTRONICS CORP. AND SHALL NOT BE REPRODUCED, DISTRIBUTED OR USED AS A BASIS FOR MANUFACTURE WITHOUT PRIOR WRITTEN PERMISSION FROM KEYSTONE ELECTRONICS CORP.

KEYSTONE ELECTRONICS CORP.			
www.keystec.com • ASTORIA, N.Y. 11105-2017 • Tel (718) 956-8900			
PART NAME PC POLARIZED BATTERY HOLDER			
MATERIAL AS NOTED			
FINISH	AS NOTED	DRN BY	NT
TOLERANCES	INCH [MM]	CODE	DWG NO.
DECIMAL	± .010 [± 0.25]	C	1042P
ANGULAR	± 1°		
		App'D	LN
		DATE	7.12.13
		SCALE	1.25X

Mouser Electronics

Authorized Distributor

Click to View Pricing, Inventory, Delivery & Lifecycle Information:

[Keystone Electronics:](#)

[1042P](#)