

[»Back to Board Level Products](#)

7136DG

TO-220, TO-220-single gauge (0.020")



ENTER QTY:

VIEW PRICE



Need assistance?

Call us: 1-855-32-AAVID
Email: estore@aavid.com

[» Help Page](#)



Check Distributor Stock

Enter a part number for pricing and availability.


 go!

- > [Request a Sample](#)
- > [Request a Quote](#)
- > [Ask an Engineer](#)

Channel style heat sink featuring integrated mounting clip

This non-electronic component is functionally unaffected by the soldering or reflow processes used for semiconductor circuits. The heat resistance time or heat resistance temperature is not applicable for the component.

Cross Reference: NULL

Height: 24.13

Mount Orientation: Vertical

Finish: Tin Plated

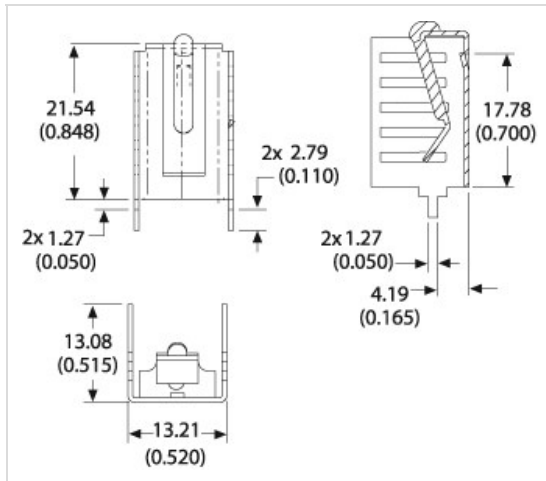
RoHS: compliant

[Download PCN](#)

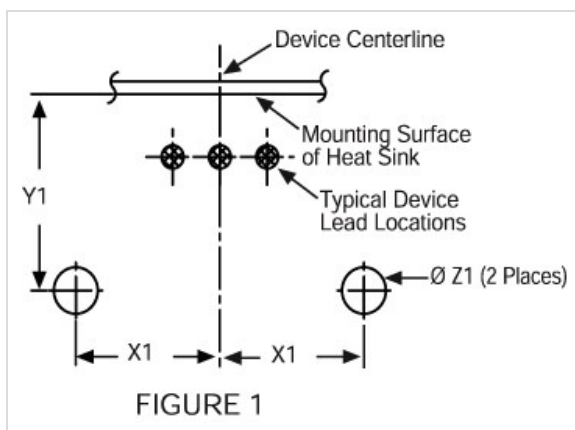
Thermal Resistance: 19.70

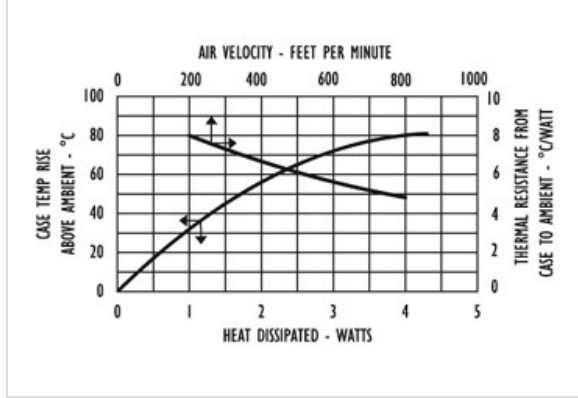
The Fine Print

- [Product Return Policy](#)
- [Terms & Conditions](#)
- [Privacy Policy](#)



X Dim: 6.30 (0.248) | Y Dim: 4.83 (0.190) | Z Dim: 2.54 (0.100)





Customer Assistance

- Contact Us
- Get Design Assistance
- Find a Distributor
- Find a Sales Rep
- Request a Quote
- Placing an Order
- Terms and Conditions
- Returns

Popular Products

- Fans
- Extrusions
- Board Level
- Liquid Cooling
- Heat Pipe Technology
- Heat Sink Accessories
- Interface Materials

Our Company

- News and Events
- Management Team
- Worldwide Locations
- Disclaimer
- Customer Survey
- Privacy Policy
- Careers

Connect with Aavid

Like / Follow / Connect



© Copyright 2016 Aavid Thermalloy, LLC.

USA: 1.855.32.AAVID Europe: 39.051.764002 Asia: 86.21.6115.2000 x 8122

Mouser Electronics

Authorized Distributor

Click to View Pricing, Inventory, Delivery & Lifecycle Information:

[Aavid:](#)

[7136DG](#) [7136D](#)