

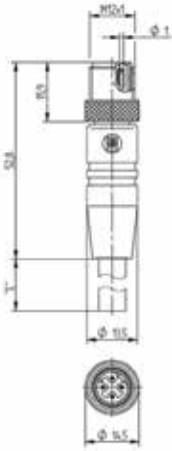




Ethernet Single-Ended and Double-End Cord Sets for Railway Applications

CAT5e (PROFINET), Shielded, 4-Poles, D coding

Type	0985 508 120	0985 508 121																								
																										
Product description	Cordset single-ended, M12, Industrial Ethernet data cable, Cat 5 (ProfiNet), single-ended molded with M12 male connector, 4 poles, D coding, PUR jacket, halogen-free, black, 1M, 2M, 5M, 10M, and 15M cable lengths.	Cord set, double-ended, M12-M12, Industrial Ethernet data cable, Cat 5 (ProfiNet), double-ended molded with M12 male connectors, 4 poles, D coding, PUR jacket, halogen-free, black, 2M, 5M, 10M and 15M cable lengths.																								
Note	Cat 5 and Cat 5e transmission properties according to ISO IEC 11801 and TIA/EIA-568-B.2. The application of these products in harsh environments should always be checked before use.																									
Color of housing	black																									
Number of contacts	4																									
Product characteristics	Oil resistance, EMC resistance, UV resistance, Drag chains suitable																									
Ordering information	<table border="1"> <thead> <tr> <th>Part number</th> <th>Order number</th> </tr> </thead> <tbody> <tr> <td>0985 508 120/1 M</td> <td>934 688-015</td> </tr> <tr> <td>0985 508 120/2 M</td> <td>934 688-011</td> </tr> <tr> <td>0985 508 120/5 M</td> <td>934 688-012</td> </tr> <tr> <td>0985 508 120/10 M</td> <td>934 688-013</td> </tr> <tr> <td>0985 508 120/15 M</td> <td>934 688-014</td> </tr> </tbody> </table>	Part number	Order number	0985 508 120/1 M	934 688-015	0985 508 120/2 M	934 688-011	0985 508 120/5 M	934 688-012	0985 508 120/10 M	934 688-013	0985 508 120/15 M	934 688-014	<table border="1"> <thead> <tr> <th>Part number</th> <th>Order number</th> </tr> </thead> <tbody> <tr> <td>-</td> <td>-</td> </tr> <tr> <td>0985 508 121/2 M</td> <td>934 688-007</td> </tr> <tr> <td>0985 508 121/5 M</td> <td>934 688-008</td> </tr> <tr> <td>0985 508 121/10 M</td> <td>934 688-009</td> </tr> <tr> <td>0985 508 121/15 M</td> <td>934 688-010</td> </tr> </tbody> </table>	Part number	Order number	-	-	0985 508 121/2 M	934 688-007	0985 508 121/5 M	934 688-008	0985 508 121/10 M	934 688-009	0985 508 121/15 M	934 688-010
Part number	Order number																									
0985 508 120/1 M	934 688-015																									
0985 508 120/2 M	934 688-011																									
0985 508 120/5 M	934 688-012																									
0985 508 120/10 M	934 688-013																									
0985 508 120/15 M	934 688-014																									
Part number	Order number																									
-	-																									
0985 508 121/2 M	934 688-007																									
0985 508 121/5 M	934 688-008																									
0985 508 121/10 M	934 688-009																									
0985 508 121/15 M	934 688-010																									
Technical illustration	M12 	M12 to M12 																								
Face views / Wiring	 <ul style="list-style-type: none"> 1 = Yellow 2 = White 3 = Orange 4 = Blue 																									

Be Certain with Belden



Ethernet Single-Ended and Double-End Cord Sets for Railway Applications

CAT5e (PROFINET), Shielded, 4-Poles, D coding

Environmental conditions	0985 508 120	0985 508 121
Environmental temperature	IP 67	
Degree of protection (IP), mounted	-40°C to +85°C	
Pollution degree	3	
Classifications		
Belden class	Industrial Ethernet Railway Connectors	
Belden brand	Lumberg Automation	
Mechanical data		
Type of plug-in contact	Male	Male to Male
Design of housing	Striaight	Straight to Striaight
Thread	M12	M12 to M12
Coding	D	
Materials		
Housing material / Molded body	PA	
Contact bearer material	PBT	
Contact material	CuSn	
Contact material / Surface refinement	gold-plated	
Knurled screw / nut material	CuZn, nickel-plated	
Approvals		
Approvals	EN 50155, IEC 61373, DIN CLC/TS 50467, DIN CEN/TS 45545, DIN 5510	
RoHS 2002/95 EG compliant	yes	
Cable specifications		
Cable jacket	PUR	
Color	Black	
Gauge	26 AWG	
Overall diameter	6.5 mm	
Conductor	8	
Insulation	PE	
Foil shield	yes	
Braided shield	yes	
Electrical data		
Contact resistance	≤ 5 mΩ	
Rated current In	4 A at 40°C	
Nominal voltage	60 V	
Rated voltage	250 V	
Test voltage	2 kV eff./60 s	
Insulation resistance	> 1 GΩ	

The application of these products in harsh environments should always be checked before use.
Specifications subject to alteration.

Mouser Electronics

Authorized Distributor

Click to View Pricing, Inventory, Delivery & Lifecycle Information:

Lumberg Automation:

[0985 508 121/10 M](#) [0985 508 121/2 M](#) [0985 508 120/2 M](#) [0985 508 120/15 M](#) [0985 508 120/20 M](#) [0985 508 120/30 M](#)
[0985 508 120/3 M](#) [0985 508 120/1 M](#) [0985 508 121/5 M](#) [0985 508 120/10 M](#) [0985 508 120/5 M](#) [0985 508 121/15 M](#)