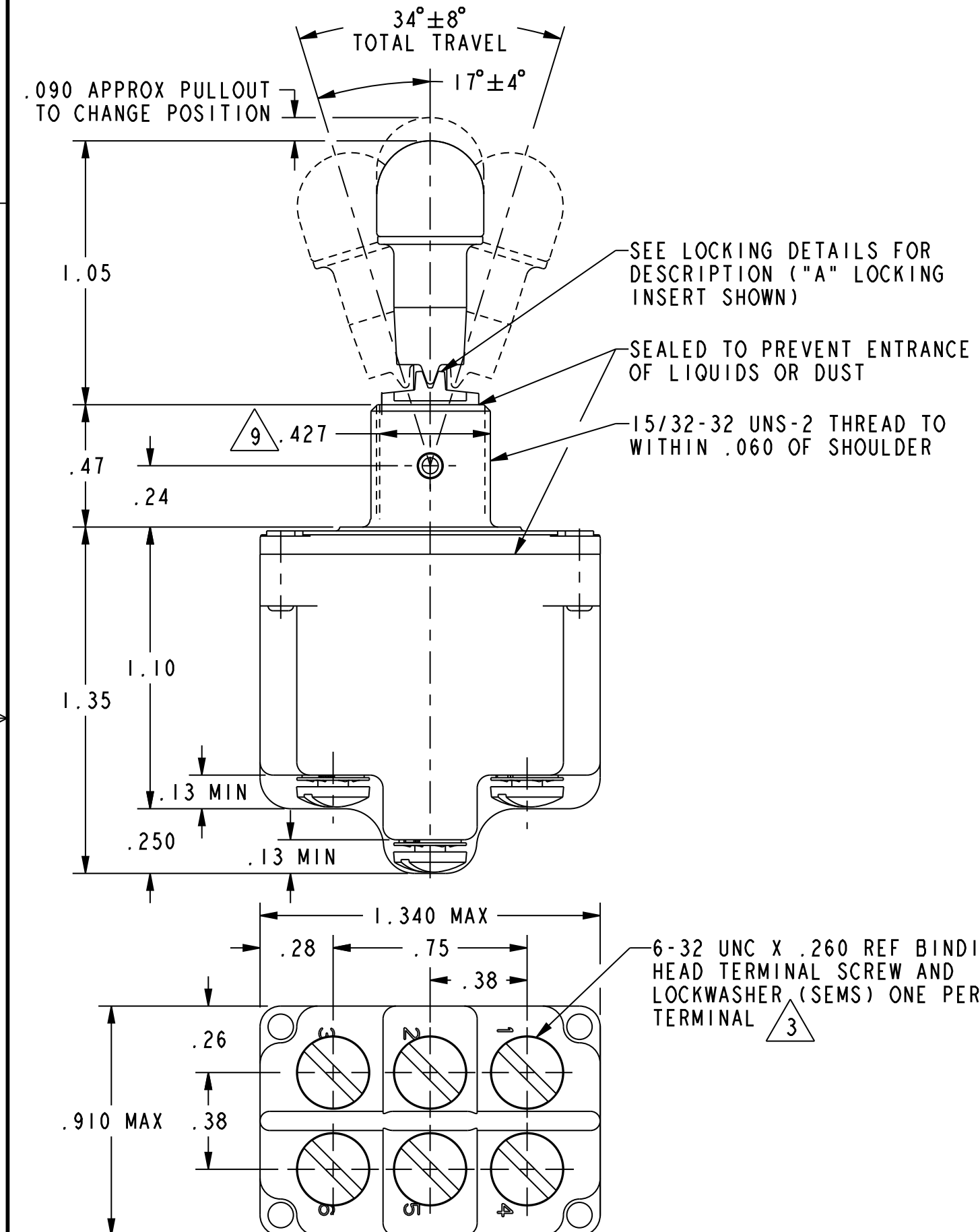
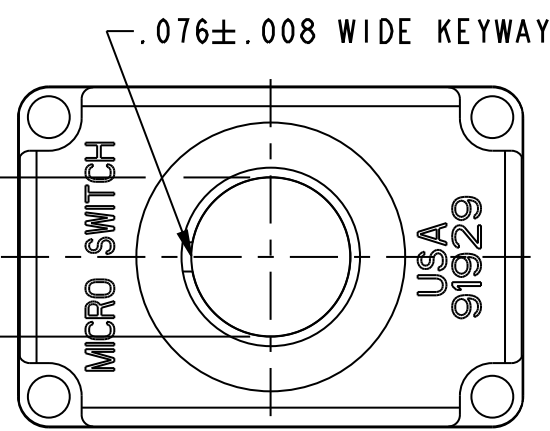
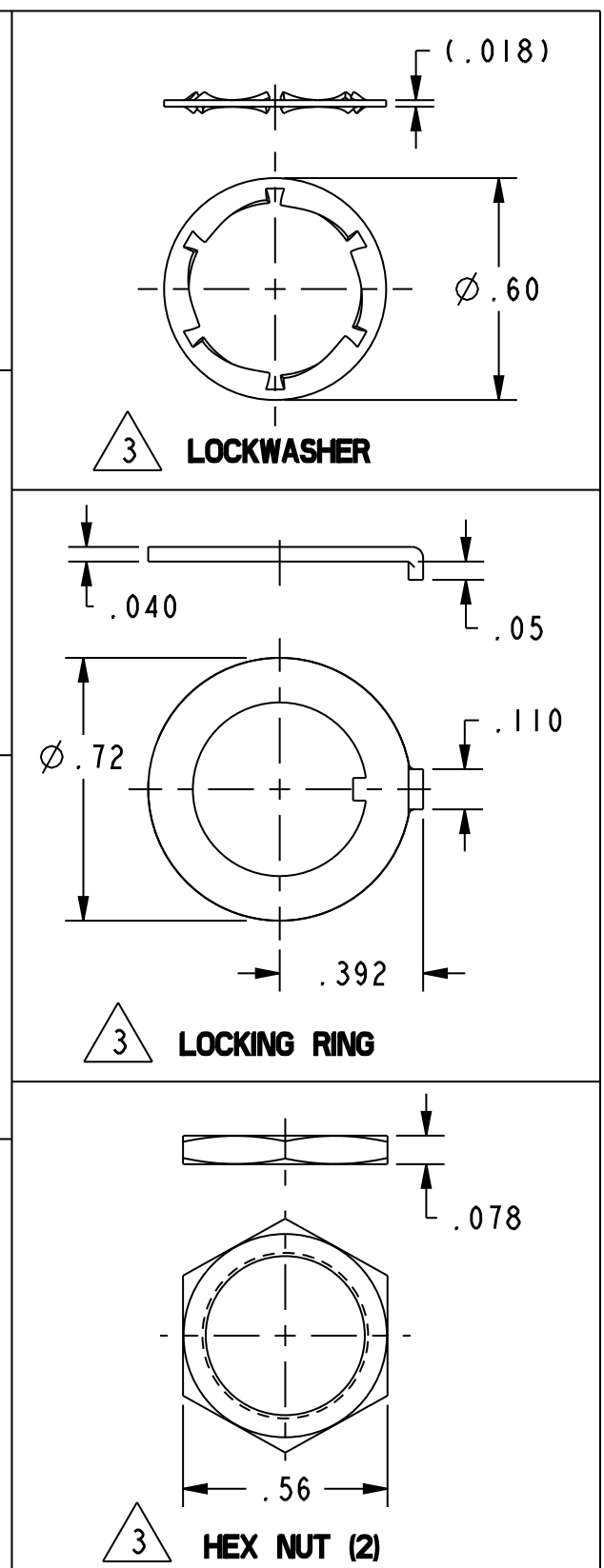
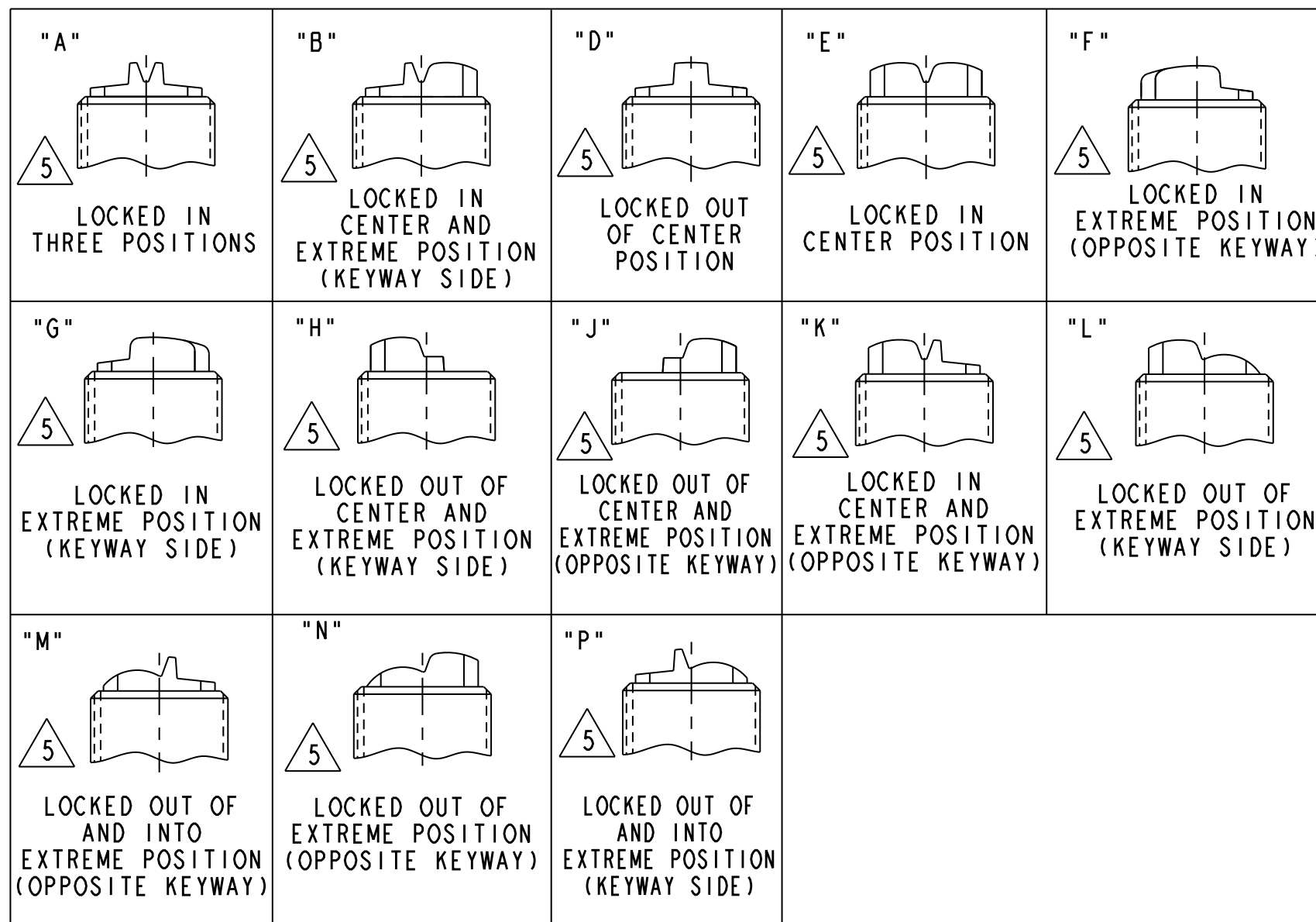


HONEYWELL
PART NUMBER
SEE CHART

REV	DOCUMENT	CHANGED BY	CHECK
33	0056412	SJK IOSEP09	CMH
REDRAWN WITHOUT CHANGE IN PRO-E			



MILITARY STANDARD NUMBER 6	CATALOG LISTING 6	AVAILABLE LOCKING COMBINATIONS FOR CONFIGURATION SEE LETTERED DETAILS	CIRCUIT MADE WITH TOGGLE LEVER IN			MILITARY RATING (AMPS)								
			KEYWAY SIDE (1-2, 4-5)	CENTER (1-2, 4-5)	OPPOSITE KEYWAY (2-3, 5-6)	RESISTIVE LOAD				LAMP LOAD		INDUCTIVE LOAD		
						DC VOLTS		AC VOLTS		VDC		VAC		
24659-21	2TLI-1	A, B, D, E, F, G, H, J, K, L, M, N, P	ON	OFF	ON	28	125	250	125	250	28	125	28	125
24659-22	2TLI-2	D, F, G	OFF	NONE	ON	20	.75	.5	15	6	7	4	15	15
24659-23	2TLI-3	D, F, G	ON	NONE	ON									
24659-24	2TLI-21	E, F, K, M	NONE	OFF	ON									
24659-33	2TLI-31	E, F, K, M	NONE	ON	ON									
24659-29	2TLI-4	F	MOM OFF	NONE	ON	18	.75	.5	11	6	5	2	10	8
24659-31	2TLI-5	E, F, K, L, M, N	MOM ON	OFF	ON									
24659-30	2TLI-6	F	MOM ON	NONE	OFF									
24659-27	2TLI-7	E, L, N	MOM ON	OFF	MOM ON									
24659-26	2TLI-8	F	MOM ON	NONE	ON									
24659-32	2TLI-51	E	NONE	ON	MOM ON									
24659-28	2TLI-61	E	MOM ON	OFF	NONE									



- NOTES:
- SWITCHES ARE CAPABLE OF WITHSTANDING A TEMPERATURE OF 160°F CONTINUOUSLY AT FULL RATED LOAD.
 - CIRCUIT DESIGNATION, MICRO SWITCH CATALOG LISTING AND "MS" NUMBER MARKED ON SIDE OF SWITCH.
 - FURNISHED UNASSEMBLED.
 - FOR TERMINAL COVER, SEE MICRO SWITCH CATALOG LISTING 5PA8.
 - KEYWAY SHOWN ON LEFT SIDE.
 - SUFFIX LETTER MUST BE ADDED FOR DESIRED TYPE OF TOGGLE LOCKING. SEE CHART FOR AVAILABLE LOCKING COMBINATIONS.
 - APPLIES ONLY TO "ON" AND "MOMENTARY ON" POSITIONS.
 - THESE SWITCHES ARE QUALIFIED UNDER MIL-S-3950.
 - FROM BOTTOM OF KEYWAY TO MAJOR DIA. OF 15/32 THREAD.

15A-125, 250 OR 277 VAC	CE
1/2 HP-125VAC; 1HP-250, 277VAC	
5A-125VAC "L" CODE L191	RU
10A-125, 250 OR 277 VAC	CE
1/4HP-125VAC; 1/2HP-250, 277VAC	
3A-125VAC "L" CODE L192	RU

DESIGN UNITS: INCH	DRAWN	LSD	29 JUN 77
TOLERANCES UNLESS NOTED:	CHECK	GCH	07 JUL 77
NO PLACES .X ±	THIS DRAWING COVERS A PROPRIETARY ITEM AND IS THE PROPERTY OF HONEYWELL. THIS DRAWING IS NOT TO BE COPIED OR USED WITHOUT THE PERMISSION OF HONEYWELL.		
ONE PLACE .X ±	INTERPRET PER ASME Y14.5M-1994 OTHER HONEYWELL ENGINEERING STANDARDS MAY APPLY		
TWO PLACE .XX ±	Pro/ENGINEER		
THREE PLACE .XXX ±	SCALE 2:1		
ANGLES X ±	WEIGHT: .15 LB. APPROX		

Honeywell			
SWITCH - TOGGLE			
SIZE	TYPE	CAGE CODE	DRAWING NAME
C	I	-	2TL1 SERIES CHART 2 33
REV	SHEET 1 OF 1		