

THIS DRAWING IS UNPUBLISHED.

RELEASED FOR PUBLICATION

ALL RIGHTS RESERVED.

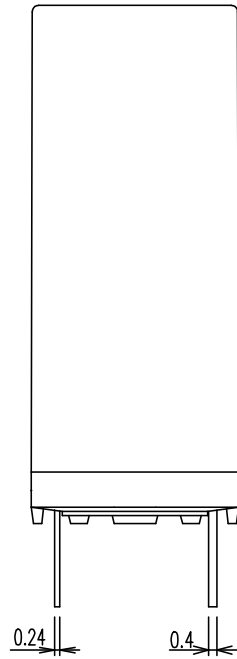
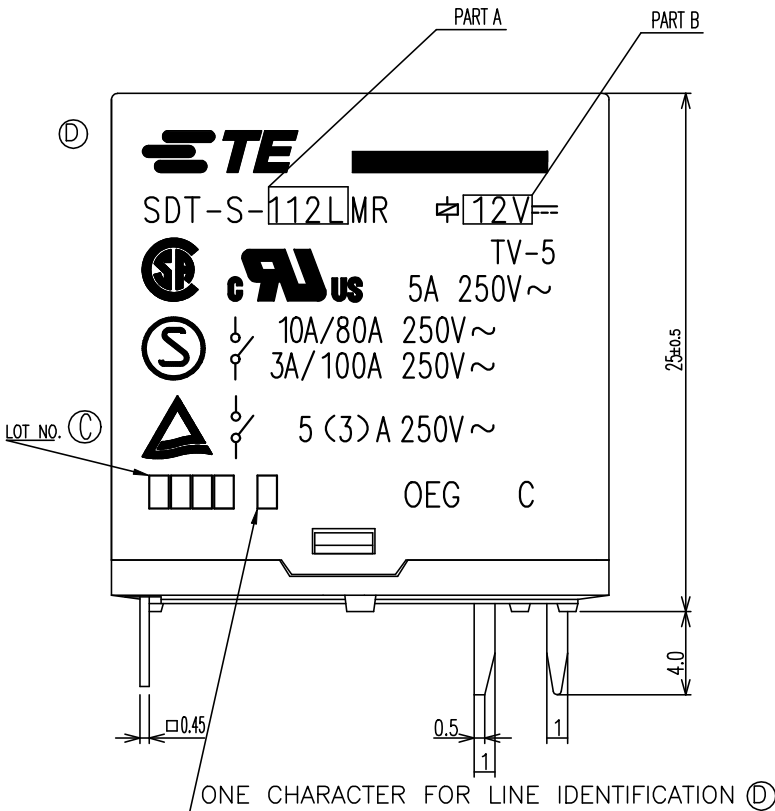
© COPYRIGHT - By TE Connectivity

LOC HB

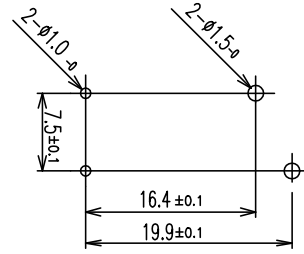
DIST -

REVISIONS

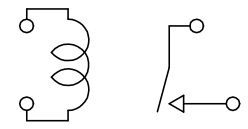
P	LTR	DESCRIPTION	DATE	DWN	APVD
D		1.CHANGE TE LOGO2.ADD LINE IDENTIFICATION3.TERMINALS TOLERANCE CLARIFICATION ECO-12-005305	26-MAR-12	YS.H	BH.Y
E		CHANGE RAW MATEIAL OF CARD ECO-19-012552	14-AUG-19	TOD	K.T



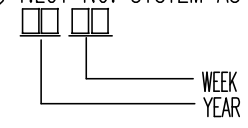
DRILLING DIAGRAM BOTTOM VIEW (2/1)



CONNECTION DIAGRAM BOTTOM VIEW (2/1)



NOTES (C) 1.LOT NO. SYSTEM AS FOLLOWING:



- (D) 2.TERMINAL DIMENSIONS BEFORE SOLDER DIP
- (D) 3.FOR THE TIN-PLATING OF THE PINS: +0.1mm FOR WIDTH, THICKNESS AND DIAMETER +0.5mm FOR LENGTH

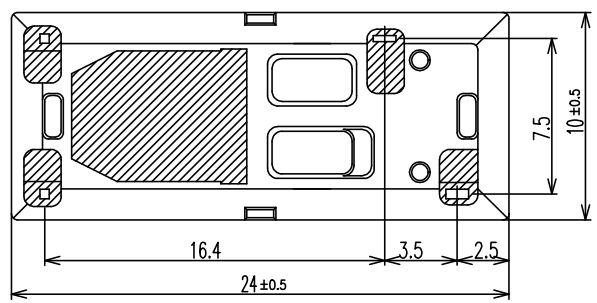


Diagram dimension	Tolerance
max. 1mm	±0.1mm
1 - 3mm	±0.2mm
min. 3mm	±0.3mm

THIS DRAWING IS A CONTROLLED DOCUMENT.

DWN	H.Sasaki		TE Connectivity		
CHK	Y.Oikawa		NAME		
APVD	A.Nagai		SDT-LMR SPEC,601		
PRODUCT SPEC	-		RESTRICTED TO		
APPLICATION SPEC	-	SIZE	CAGE CODE	DRAWING NO	RESTRICTED TO
WEIGHT	-	A3	00779	C=1461102	-
CUSTOMER DRAWING		SCALE	4:1	SHEET	1 OF 2
				REV	E

4

3

2

1

THIS DRAWING IS UNPUBLISHED.

RELEASED FOR PUBLICATION

-. - .

© COPYRIGHT - By TE Connectivity

ALL RIGHTS RESERVED.

LOC HB DIST -

REVISIONS

P	LTR	DESCRIPTION	DATE	DWN	APVD
-	-	SEE SHEET 1	-	-	-

⑤ 1461102-7	SDT-S-118LMR ,601	18V	SDT-S-118LMR	g
1461102-6	SDT-S-124LMR ,601	24V	SDT-S-124LMR	f
1461102-5	SDT-S-112LMR ,601	12V	SDT-S-112LMR	e
1461102-4	SDT-S-109LMR ,601	9V	SDT-S-109LMR	d
1461102-3	SDT-S-106LMR ,601	6V	SDT-S-106LMR	c
1461102-2	SDT-S-105LMR ,601	5V	SDT-S-105LMR	b
1461102-1	SDT-S-103LMR ,601	3V	SDT-S-103LMR	a
PART NO	EC TYPE NAME	PART B	PART A	No

RELAY TYPE

		EPOXY RESIN	SEAL (BASE & TERMINAL)	15
		EPOXY RESIN	SEAL (BASE & YOKE)	14
		3UEW	MAGNETIC WIRE	13
94V-0		P.B.T	CASE	12
94V-0		P.B.T	BOBBIN	11
	SOLDER DIP	C.P WIRE	COIL TERMINAL	10
94V-0		PPS ⑤	CARD	9
		AgSnO	MOVABLE CONTACT	8
		AgSnO	NO.CONTACT	7
		STEEL	HINGE SPRING	6
	SOLDER DIP	Cu ALLOY	NO.TERMINAL	5
	SOLDER DIP	Cu ALLOY	MOVABLE SPRING	4
	NIP	STEEL	CORE	3
	NIP	STEEL	ARMATURE	2
	NIP	STEEL	YOKE	1
INCOMBUSTIBILITY	TREATMENT	MATERIAL	DESCRIPTION	ITEM

THIS DRAWING IS A CONTROLLED DOCUMENT.		DWN	H.Sasaki	
DIMENSIONS: mm		CHK	Y.Oikawa	
TOLERANCES UNLESS OTHERWISE SPECIFIED:		APVD	A.Nagai	
0 PLC ± -		PRODUCT SPEC	-	
1 PLC ± -		APPLICATION SPEC	-	
2 PLC ± -		WEIGHT	-	
3 PLC ± -		CUSTOMER DRAWING		
4 PLC ± -		SIZE	A3	00779
ANGLES ± -		CAGE CODE	G=1461102	
MATERIAL	FINISH	DRAWING NO	SDT-LMR SPEC,601	
-	-	RESTRICTED TO	-	
		SCALE	4:1	SHEET 2 of 2
		REV	E	

