

Model No.	FYL-48D4UWC1A
Rev.	A

## PRODUCT SPECIFICATION

### Model No.: FYL-48D4UWC1A

Descriptions:
■Dice material:InGaN.
■Emitting Color: Super bright White.
■Device Outline: Φ4.8mm straw hat type.
■Lens Type: Water clear.



CUSTOMER APPROVED SIGNATURES	APPROVED BY	CHECKED BY	PREPARED BY

**NINGBO FORYARD OPTOELECTRONICS CO.,LTD.**

**Add:**NO.115 Qixin Road Ningbo Zhejiang China

**Zip:**315051

**Tel:** 0086-574-87933652 87927870 87922206

**Fax:** 0086-574-87927917

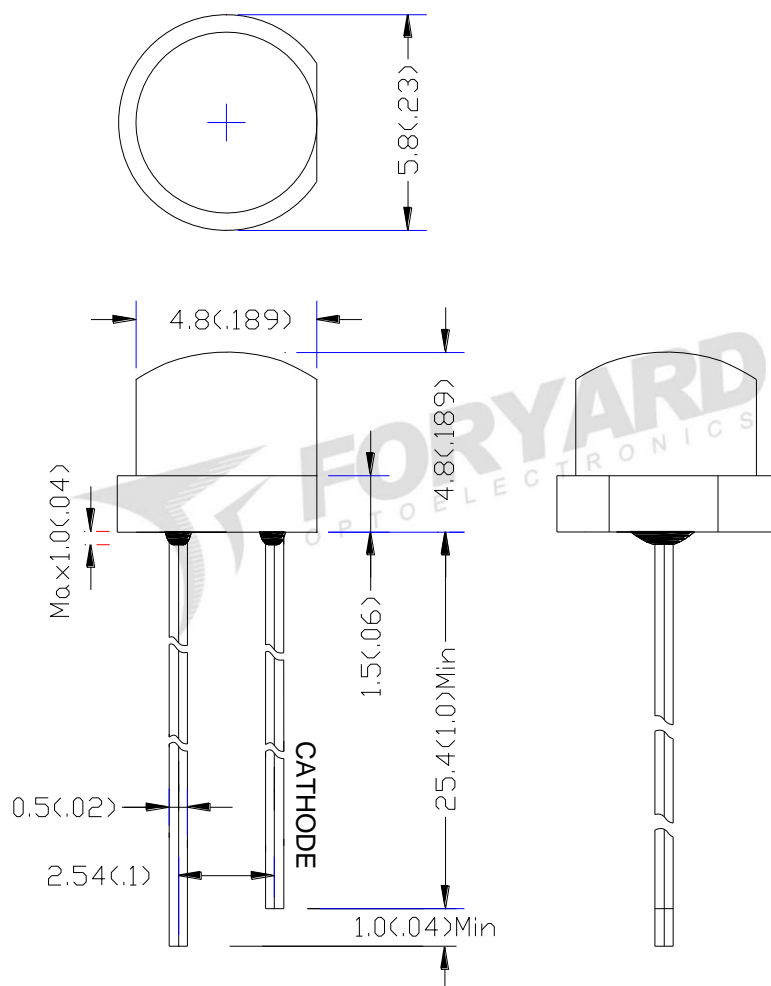
**E-mail:** Sales@foryard.com (General)

[Http://www.foryard.com](http://www.foryard.com)

## ■ Features

1. Low power consumption.
2. High efficiency.
3. General purpose leads.
4. High intensity.
5. RoHs compliant.

## ■ Package configuration



### Notes:

1. All dimensions are millimeters (inches)
2. Tolerance is  $\pm 0.25\text{mm}$  (.010") unless otherwise noted.
3. The specifications, characteristics and technical data described in the datasheet are subject to change without prior notice.

■ Absolute maximum ratings( $T_a=25\text{ }^\circ\text{C}$ )

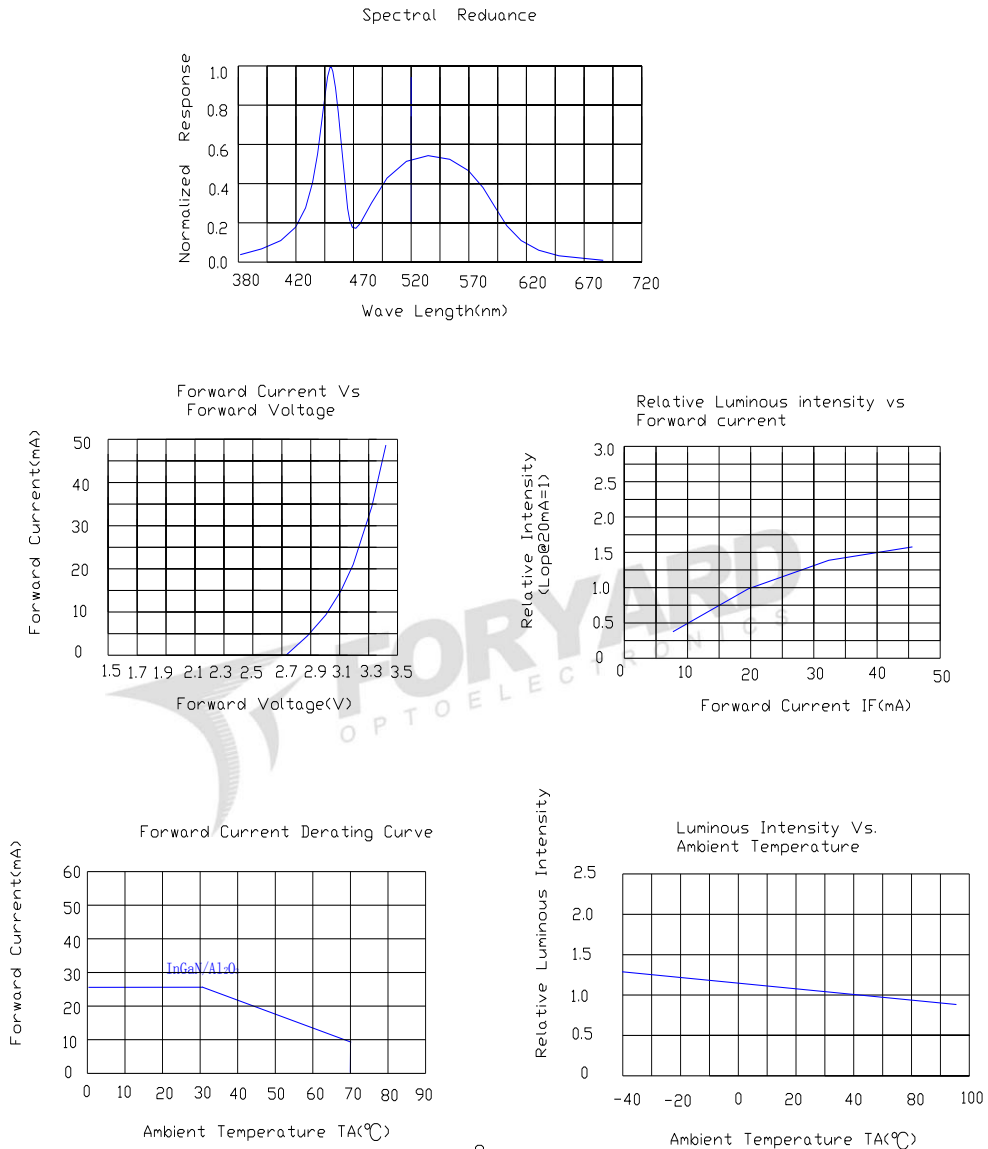
Parameter	MAX.	Unit
Power Dissipation	90	mW
Peak Forward Current (1/10 Duty Cycle, 0.1ms Pulse Width)	100	mA
Continuous Forward Current	25	mA
Derating Linear From 50 $^\circ\text{C}$	0.4	mA/ $^\circ\text{C}$
Reverse Voltage	5	V
Operating Temperature Range	-40 $^\circ\text{C}$ to +85 $^\circ\text{C}$	
Storage Temperature Range	-40 $^\circ\text{C}$ to +100 $^\circ\text{C}$	
Lead Soldering Temperature[4mm(.157") From Body]	260 $^\circ\text{C}$ for 5 Seconds	

■ Electrical and optical characteristics( $T_a=25\text{ }^\circ\text{C}$ )

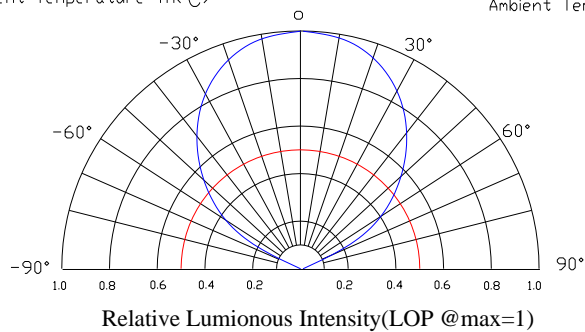
Parameter	Symbol	Min.	Typ.	Max.	Unit	Test Condition
Luminous Intensity	$I_v$	1800	2300	-	mcd	$I_F=20\text{mA}$
Viewing Angle	$2\theta_{1/2}$	-	110	-	Deg	
Chromaticity coordinates	X	-	0.29	-		
	Y	-	0.28	-		
Color temperature	CCT	-	9500	-	K	
Forward Voltage	$V_F$	2.8	3.0	3.4	V	
Reverse Current	$I_R$			10	$\mu\text{A}$	$V_R=5\text{V}$

## ■ Typical Electrical Characteristics Curves

(25 ° c Ambient Temperature Unless Otherwise Noted)

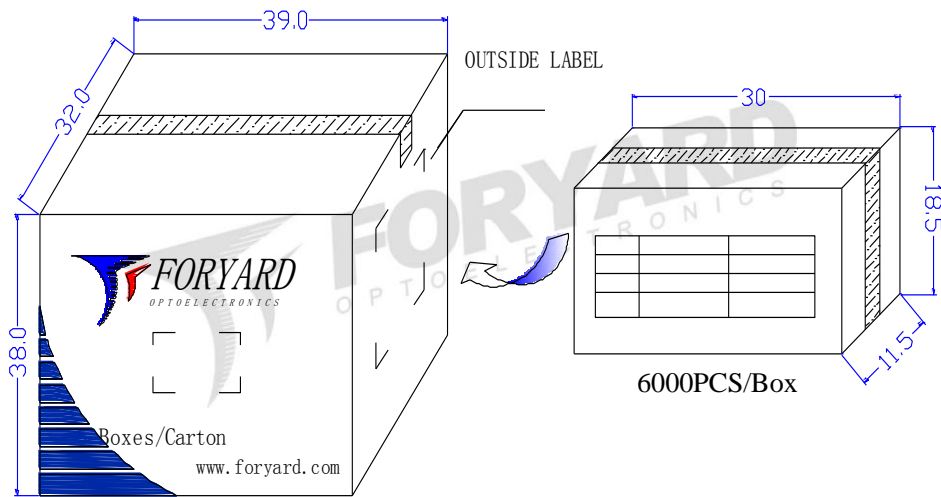
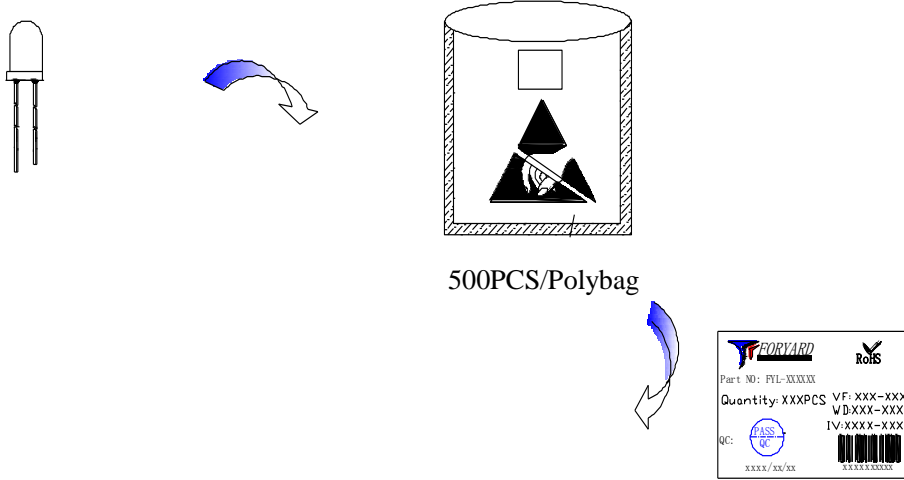


## Radiation pattern.








<b>Model. No.</b>	FYL-48D4UWC1A
<b>Rev.</b>	A

■ LAMP PACKING.



48000PCS/ Carton

	
<b>LED</b>	
PN:FYL-xxxxxxxx-xx	
Qty:XXXXX PCS	
Date:xxxx/xx/xx	
GW: xx	KG QC: 
NW: xx	KG
	 
XXXXXXXXXX	

OUTSIDE LABEL