

# SACC-MS-4QO-0,34-M SCO - Connector



1521575

<https://www.phoenixcontact.com/us/products/1521575>

Please be informed that the data shown in this PDF document is generated from our online catalog. Please find the complete data in the user documentation. Our general terms of use for downloads are valid.



Connector, Universal, 4-position, Plug straight M12 SPEEDCON, coding: A, Insulation displacement connection, knurl material: Zinc die-cast, nickel-plated, external cable diameter 3.5 mm ... 6 mm

## Your advantages

- Safe use in the field, thanks to a high degree of protection
- Save time, thanks to installation with SPEEDCON fast locking system
- Insulation displacement connection: innovative and time-saving assembly without stripping the single wire

## Commercial data

Item number	1521575
Packing unit	1 pc
Minimum order quantity	1 pc
Sales key	BF31
Product key	BF2CCA
Catalog page	Page 201 (C-6-2019)
GTIN	4017918953072
Weight per piece (including packing)	13.7 g
Weight per piece (excluding packing)	13.2 g
Customs tariff number	85366990
Country of origin	DE

# SACC-MS-4QO-0,34-M SCO - Connector



1521575

<https://www.phoenixcontact.com/us/products/1521575>

## Technical data

### Notes

General	<b>NOTE:</b> Observe the permissible bending radii when laying conductors, since the degree of protection may be put in jeopardy if the bending forces are too high. Alleviate mechanical loads upstream of the connector, e.g. by using cable ties.
---------	--

### Mounting

Assembly instructions	AWG 20 conductor cross section upon request
Connection method	Insulation displacement connection

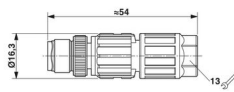
### Product properties

Product type	Circular connector (cable-side)
Sensor type	Universal
Number of positions	4
No. of cable outlets	1
Shielded	no
Coding	A
Cable outlet	straight

### Insulation characteristics

Overvoltage category	III
Degree of pollution	3

### Dimensions

Dimensional drawing	
Length	54 mm
Wrench size, union nut	13 mm

### External dimensions

Outside diameter	3.5 mm ... 6 mm
------------------	-----------------

### Housing

Diameter housing	16.3 mm
------------------	---------

### Material specifications

Flammability rating according to UL 94	V0
Seal material	NBR
Material of grip body	PA 6
Contact material	CuSn

# SACC-MS-4QO-0,34-M SCO - Connector



1521575

<https://www.phoenixcontact.com/us/products/1521575>

Contact surface material	Ni/Au
Contact carrier material	TPU
Material for screw connection	Zinc die-cast, nickel-plated
Wire insulation material	PVC / PE / PP / rubber

## Connection data

### Conductor connection

Connection method	Insulation displacement connection
Connection cross section	0.14 mm <sup>2</sup> ... 0.34 mm <sup>2</sup>
Connection cross section AWG	26 ... 22
Tightening torque	0.4 Nm (M12 knurl) 1.2 Nm (Pressure nut)

### Pin assignment

Contact   Color (signal designation)   Contact (optional)	1 = BN
	2 = WH
	3 = BU
	4 = BK

## Electrical properties

Rated surge voltage	2.5 kV
Contact resistance	≤ 5 mΩ
Insulation resistance	≥ 100 MΩ
Nominal voltage U <sub>N</sub>	125 V AC 125 V DC
Nominal current I <sub>N</sub>	4 A

## Mechanical properties

### Mechanical data

Insertion/withdrawal cycles	≥ 100
-----------------------------	-------

## Connector

### Connection 1

Head design	Plug
Head cable outlet	straight
Head thread type	M12
Head locking type	SPEEDCON
Coding	A

## Cable/line

Signal type/category	Universal
External cable diameter ( )	3.5 mm ... 6 mm

## Environmental and real-life conditions

# SACC-MS-4QO-0,34-M SCO - Connector



1521575

<https://www.phoenixcontact.com/us/products/1521575>

## Ambient conditions

Degree of protection	IP65
	IP67
Ambient temperature (operation)	-25 °C ... 80 °C (Plug / socket)
Ambient temperature (assembly)	-5 °C ... 50 °C (During assembly)

## Standards and regulations

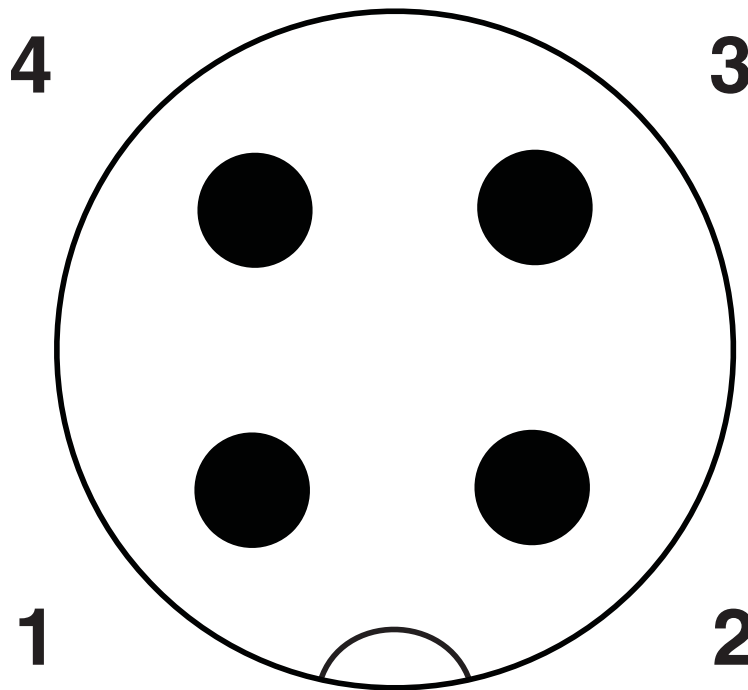
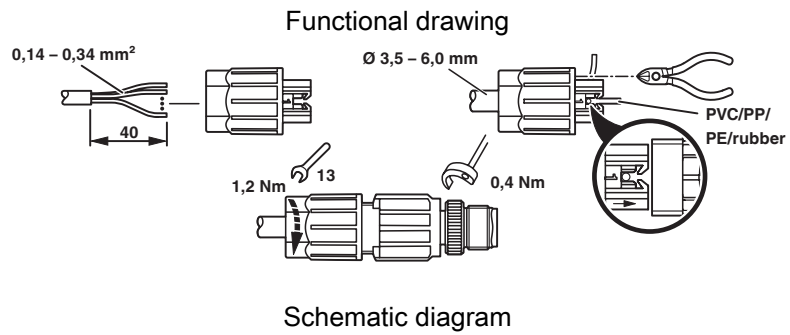
Standard designation	M12 connector
Standards/specifications	according to IEC 61076-2-101

# SACC-MS-4QO-0,34-M SCO - Connector

1521575

<https://www.phoenixcontact.com/us/products/1521575>

## Drawings



Pin assignment M12 plug, 4-pos., A-coded, view plug side

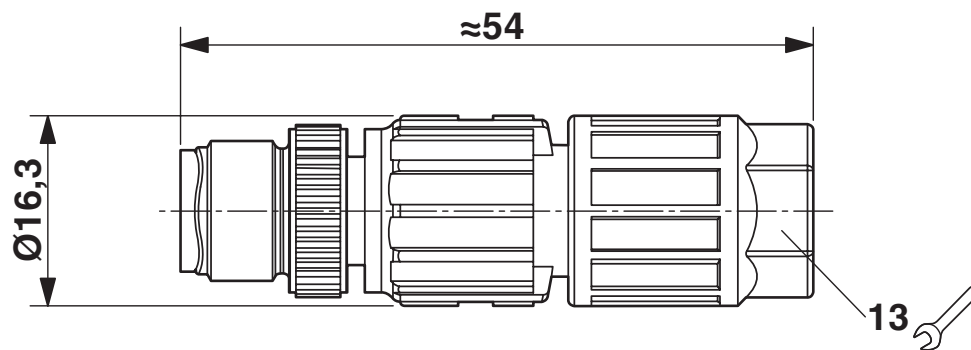
# SACC-MS-4QO-0,34-M SCO - Connector



1521575

<https://www.phoenixcontact.com/us/products/1521575>

Dimensional drawing



Plug, M12 x 1, straight

# SACC-MS-4QO-0,34-M SCO - Connector





1521575


<https://www.phoenixcontact.com/us/products/1521575>

## Approvals

To download certificates, visit the product detail page: <https://www.phoenixcontact.com/us/products/1521575>

 <b>cUL Recognized</b> Approval ID: FILE E 118976				
	Nominal voltage $U_N$	Nominal current $I_N$	Cross section AWG	Cross section $mm^2$
	300 V	4 A	-	-

 <b>UL Recognized</b> Approval ID: FILE E 118976				
	Nominal voltage $U_N$	Nominal current $I_N$	Cross section AWG	Cross section $mm^2$
	300 V	4 A	-	-

 <b>EAC</b> Approval ID: RU C-DE.BL08.B.00511	
--	--

<b>cULus Recognized</b>	
-------------------------	--

# SACC-MS-4QO-0,34-M SCO - Connector



1521575

<https://www.phoenixcontact.com/us/products/1521575>

## Classifications

### ECLASS

ECLASS-11.0	27440102
ECLASS-12.0	27440116
ECLASS-13.0	27440116

### ETIM

ETIM 9.0	EC002635
----------	----------

### UNSPSC

UNSPSC 21.0	39121400
-------------	----------



# SACC-MS-4QO-0,34-M SCO - Connector



1521575

<https://www.phoenixcontact.com/us/products/1521575>

## Environmental product compliance

China RoHS	Environmentally friendly use period: unlimited = EFUP-e
	No hazardous substances above threshold values

# SACC-MS-4QO-0,34-M SCO - Connector



1521575

<https://www.phoenixcontact.com/us/products/1521575>

## Accessories

### PROT-M12 FS-PA-CHAIN - Sealing cap

1430873

<https://www.phoenixcontact.com/us/products/1430873>

M12 sealing cap made of plastic with fixing band, for sensor cables, for free M12 plugs



---

### SAC-4P-100,0-PUR/0,25 - Cable reel

1501692

<https://www.phoenixcontact.com/us/products/1501692>

By the meter, Cable reel, PUR halogen-free, black-gray RAL 7021, 4-wire, color single wire: brown, white, blue, black, cable length: 100 m



# SACC-MS-4QO-0,34-M SCO - Connector

1521575

<https://www.phoenixcontact.com/us/products/1521575>



## SAC-4P-100,0-PUR/0,34 - Cable reel

1501663

<https://www.phoenixcontact.com/us/products/1501663>



By the meter, Cable reel, PUR halogen-free, black-gray RAL 7021, 4-wire, color single wire: brown, white, blue, black, cable length: 100 m

---

## TSD 04 SAC - Torque screwdriver

1208429

<https://www.phoenixcontact.com/us/products/1208429>



Torque screwdriver, with preset torque of 0.4 Nm and 4 mm hexagonal drive for M12 connectors

# SACC-MS-4QO-0,34-M SCO - Connector



1521575

<https://www.phoenixcontact.com/us/products/1521575>

## SAC BIT M12-D15 - Tool

1208432

<https://www.phoenixcontact.com/us/products/1208432>



Nut for assembling sensor/actuator cables with M12 connector and M12 connectors for assembly, with a knurl diameter of 15 mm, for 4 mm hexagonal drive

---

## TSD-M 1,2NM - Torque screwdriver

1212224

<https://www.phoenixcontact.com/us/products/1212224>



Torque screw driver, accuracy as per EN ISO 6789 standard, adjustable from 0.3 - 1.2 Nm

# SACC-MS-4QO-0,34-M SCO - Connector

1521575

<https://www.phoenixcontact.com/us/products/1521575>



## TSD-M SAC-BIT ADAPTER - Adapter insert

1212600

<https://www.phoenixcontact.com/us/products/1212600>



Adapter bit for TSD-M...torque tools, E6.3-1/4" drive with 4 mm hexagon to accommodate SAC bits

---

## SAC BIT QUICKON-W13 - Tool

1212033

<https://www.phoenixcontact.com/us/products/1212033>



Nut for assembling pressure nuts with 13 mm wrench size, for 4 mm hexagonal drive

---

Phoenix Contact 2023 © - all rights reserved  
<https://www.phoenixcontact.com>

Phoenix Contact USA  
586 Fulling Mill Road  
Middletown, PA 17057, United States  
(+717) 944-1300  
[info@phoenixcon.com](mailto:info@phoenixcon.com)