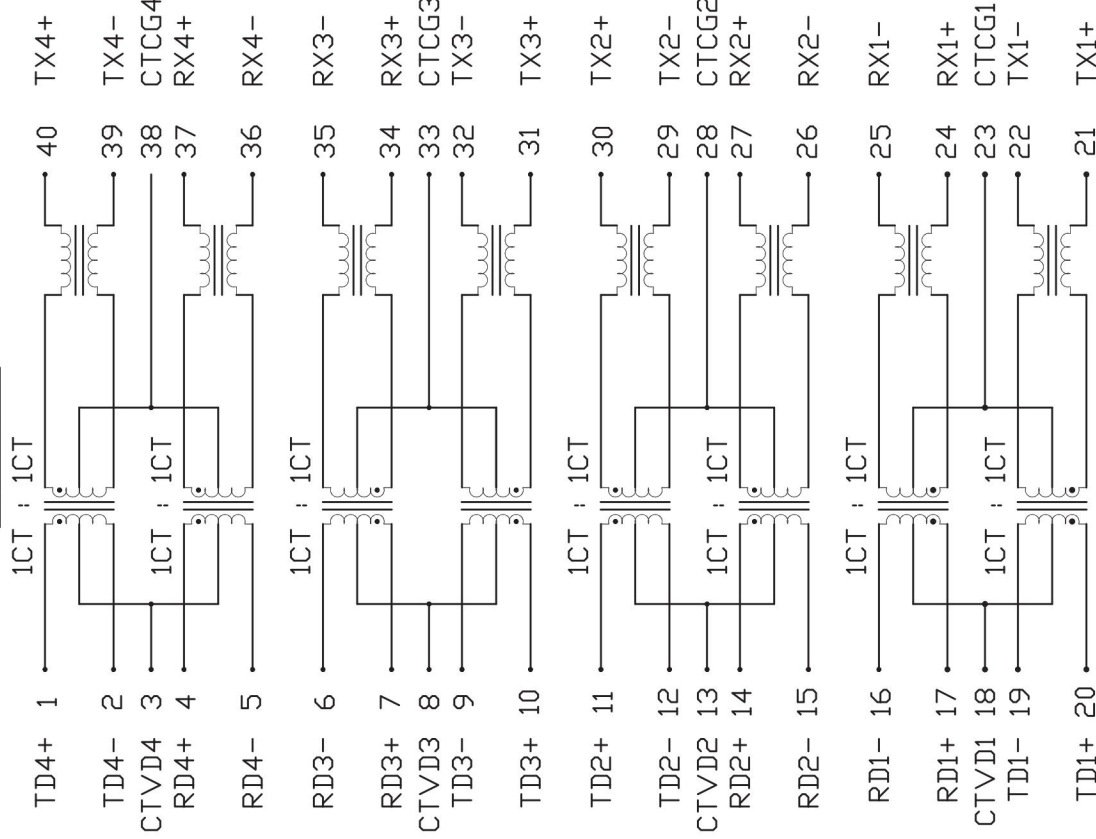


THE INFORMATION CONTAINED HEREIN IS CONSIDERED 'PROPRIETARY' TO BEL FUSE INC. AND SHALL NOT BE COPIED, REPRODUCED OR DISCLOSED WITHOUT THE WRITTEN APPROVAL OF BEL FUSE INC.

SCHEMATIC



ORIGINATED BY: Alice Pang
 DATE: 2015-07-16
 DRAWN BY: ZC Guo
 DATE: 2015-07-16

TITLE: ELECTRICAL SPECIFICATION
 S558-5999-Q9-F

PART NO. / DRAWING NO.: X5585999Q9-F
 FILE NAME: X5585999Q9F.DWG

STANDARD DIM. [] METRIC DIM. AS REF.
 TOL. IN INCH
 .X
 .XX
 .XXX
 UNIT : INCH [mm]
 SCALE : N/A
 SIZE : A4

ELECTRICAL CHARACTERISTICS @ 25°C

TURNS RATIO

Tx SIDE: 1CT : 1CT
 Rx SIDE: 1CT : 1CT

POLARITY :

Rx 4°&37°, 7°&34°, 14°&27°, 17°&24°
 Tx 1°&40°, 10°&31°, 11°&30°, 20°&21°
 IN PHASE

DCL

350μH MIN. @ 100kHz, 100mV
 WITH 8mA D.C. BIAS.

INSERTION LOSS

@ 100kHz - 80MHz 1.0 dB MAX

RETURN LOSS

MEASURED UNDER A 100 Ω ENVIRONMENT
 @ 0.1MHz - 30MHz 18 dB MIN.
 @ 30MHz - 60MHz 18-20 LOG(f/30MHz)
 @ 60MHz - 80MHz 12 dB MIN.

COMMON TO DIFFERENTIAL MODE REJECTION

@ 0.1MHz TO 100MHz 40 dB MIN.

COMMON TO COMMON MODE REJECTION

@ 0.1MHz TO 100MHz 35 dB MIN.
 @ 100MHz TO 500MHz 20 dB MIN.

CROSSTALK

@ 0.1MHz TO 100MHz 32 dB MIN.

HIPOT

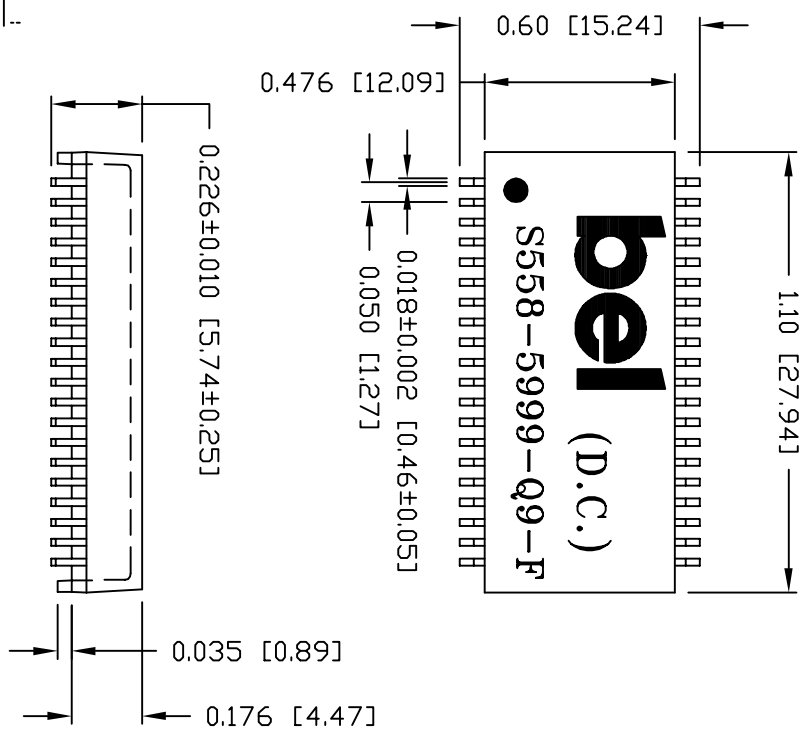
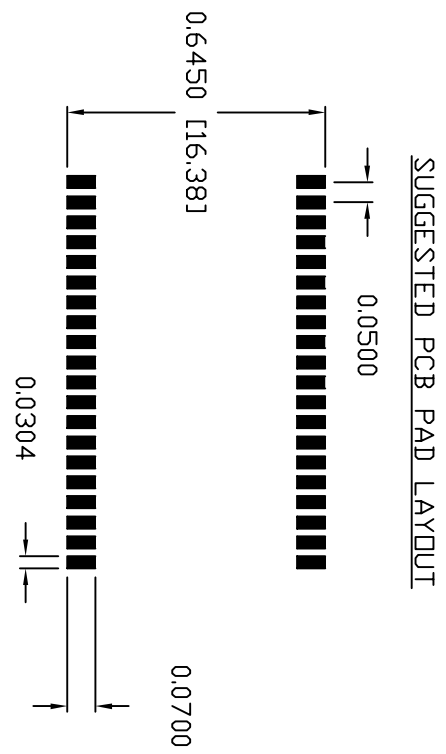
PER HAND-WORK-03

NOTES :

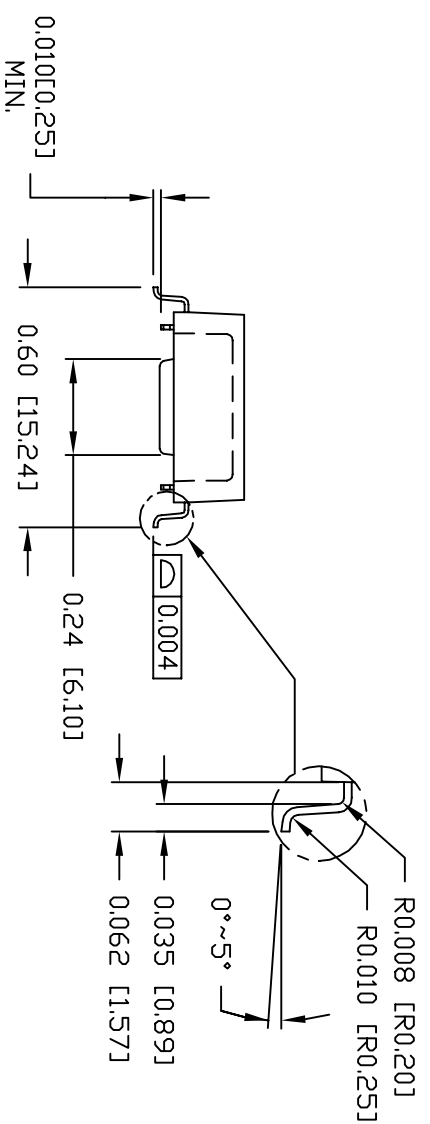
THIS PRODUCT HAS BEEN SUPPLYING TO JAPAN CUSTOMERS. PCN PROCESS NEEDS TO COMPLY WITH 4M CRITERIA.



THE INFORMATION CONTAINED HEREIN IS CONSIDERED "PROPRIETARY" TO BEL FUSE INC. AND SHALL NOT BE COPIED, REPRODUCED OR DISCLOSED WITHOUT THE WRITTEN APPROVAL OF BEL FUSE INC.



- NOTES :**
1. STANDARD MARKING REFER TO DOC. HAND-WORK-04.
 2. PACKAGE CODE: "RRS001".
 3. THIS PRODUCT HAS BEEN SUPPLYING TO JAPAN CUSTOMERS. PCN PROCESS NEEDS TO COMPLY WITH 4M CRITERIA.



ORIGINATED BY	DATE	TITLE	PART NO. / DRAWING NO.	STANDARD DIM. [] METRIC DIM. AS REF.	REV. : H	PAGE : 3
----------------------	-------------	--------------	-------------------------------	--	-----------------	-----------------

Lawrence Tsang 2017-02-15	2017-02-15	MECHANICAL DRAWING	X5585999Q9-F	TOL. IN INCH	UNIT : INCH [mm]	SCALE : N/A
---------------------------	------------	--------------------	--------------	--------------	------------------	-------------

DRAWN BY	DATE	FILE NAME	TOL. IN INCH	UNIT : INCH [mm]	SCALE : N/A	SIZE : A4
-----------------	-------------	------------------	---------------------	-------------------------	--------------------	------------------

ZC Guo	2017-02-15	X5585999Q9FH.DWG	.XX	±0.01		
--------	------------	------------------	-----	-------	--	--

