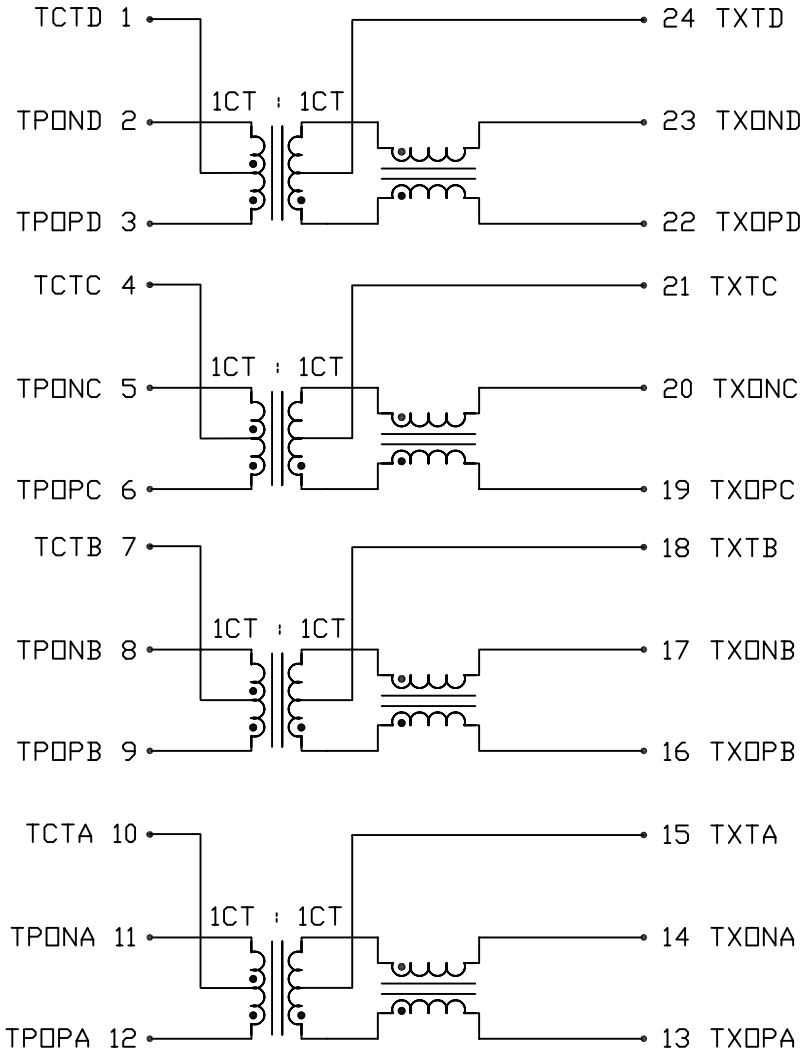


THE INFORMATION CONTAINED HEREIN IS CONSIDERED "PROPRIETARY" TO BEL FUSE INC. AND SHALL NOT BE COPIED, REPRODUCED OR DISCLOSED WITHOUT THE WRITTEN APPROVAL OF BEL FUSE INC.



ELECTRICAL CHARACTERISTICS @ 25°C

SCHEMATIC



<p>URNS RATIO</p> <p>PIN(3-1-2) : (22-24-23) 1CT : 1CT</p> <p>PIN(6-4-5) : (19-21-20) 1CT : 1CT</p> <p>PIN(9-7-8) : (16-18-17) 1CT : 1CT</p> <p>PIN(12-10-11) : (13-15-14) 1CT : 1CT</p>	
<p>CL</p>	<p>350μH MIN. @ 100kHz, 100mV WITH 8mA DC BIAS</p>
<p>INSERTION LOSS</p>	<p>1.1dB MAX. @ 0.1 TO 1MHz 0.5dB MAX. @ 1 TO 65MHz 1.0dB MAX. @ 80MHz 1.2dB MAX. @ 125MHz</p>
<p>RETURN LOSS UNDER 100 OHMS±15% ENVIRONMENT</p>	<p>18dB MIN. @ 0.5 TO 40 MHz 12-20LOG (f/80MHz) MIN. @ 40 TO 100 MHz</p>
<p>COMMON TO COMMON REJECTION</p>	<p>30dB MIN. @ 0.1 TO 100 MHz</p>
<p>CROSSTALK</p>	<p>33-20LOG (f/100MHz) dB MIN. @ 1 TO 100MHz</p>
<p>HIPOT</p>	<p>PER HAND-WORK-03</p>

<p>ORIGINATED BY DATE TITLE</p> <p>Alice Pang 2015-01-28 ELECTRICAL SPECIFICATION</p>		<p>PART NO. / DRAWING NO.</p> <p>X5585999M8-F</p>		<p>STANDARD DIM. [] METRIC DIM. AS REF.</p> <p>TOL. IN INCH</p>		<p>REV. : B PAGE : 2</p>	
<p>DRAWN BY DATE</p> <p>ZC Guo 2015-01-28</p>		<p>FILE NAME</p> <p>X5585999M8FB.DWG</p>		<p>UNIT : INCH [mm]</p> <p>SCALE : N/A</p>		<p>SIZE : A4</p>	

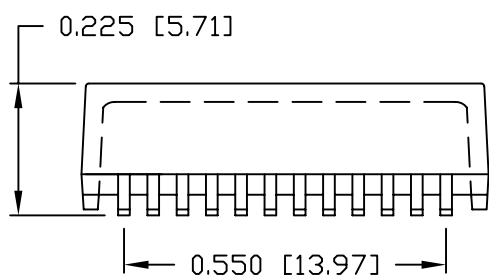
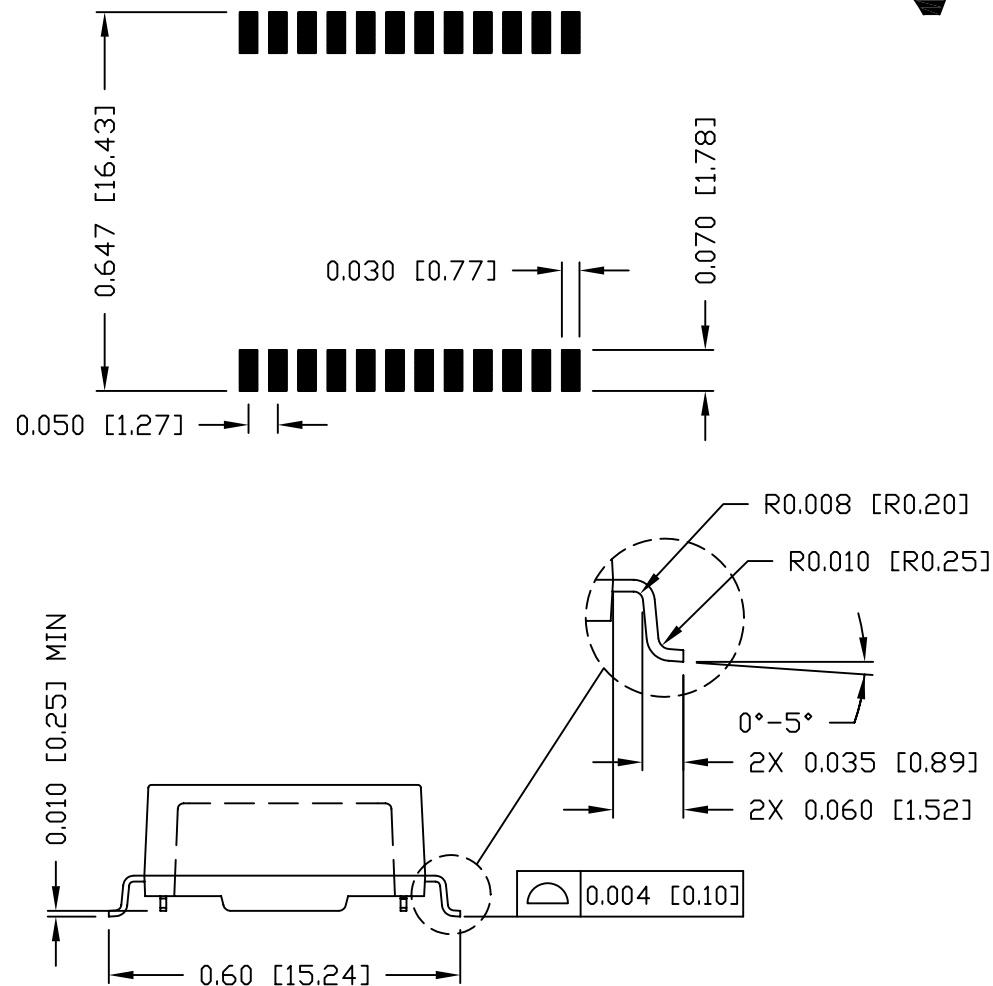
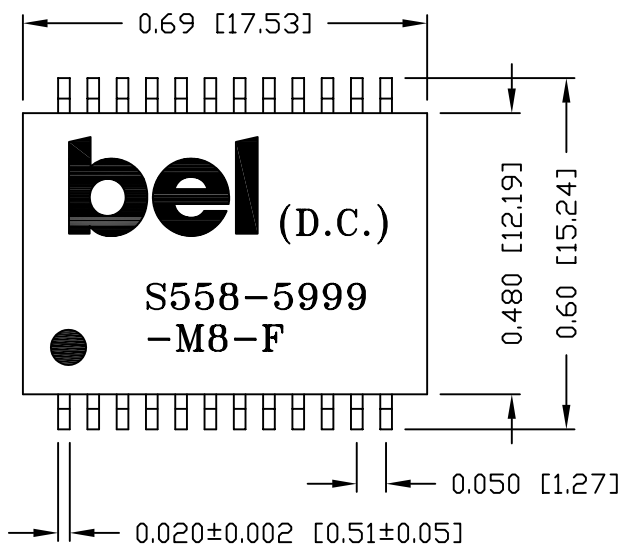


THE INFORMATION CONTAINED HEREIN IS CONSIDERED "PROPRIETARY" TO BEL FUSE INC. AND SHALL NOT BE COPIED, REPRODUCED OR DISCLOSED WITHOUT THE WRITTEN APPROVAL OF BEL FUSE INC.

RoHS



SUGGESTED PCB PAD LAYOUT



NOTES:

- STANDARD MARKING REFER TO DOC. HAND-WORK-04.
- PACKAGE CODE: "RQS001".

REV. : B	PAGE : 3		
<p>POWER PROTECT CONNECT</p>			
		STANDARD DIM. [] METRIC DIM. AS REF.	
		TOL. IN INCH	
		UNIT : INCH [mm]	
DRAWN BY		FILE NAME	
DATE		PART NO. / DRAWING NO.	
ZC Guo		X5585999M8-F	
2015-01-28		X5585999M8FB.DWG	
DATE		STANDARD DIM.	
2015-01-28		[] METRIC DIM. AS REF.	
TOL. IN INCH		UNIT : INCH [mm]	
.X		SCALE : N/A	
.XX ±0.01		SIZE : A4	
.XXX ±0.005			

ORIGINATED BY	DATE	TITLE	PART NO. / DRAWING NO.
Lawrence Tsang	2015-01-28	MECHANICAL DRAWING S558-5999-M8-F	X5585999M8-F
DRAWN BY	DATE		FILE NAME
ZC Guo	2015-01-28	X5585999M8FB.DWG	