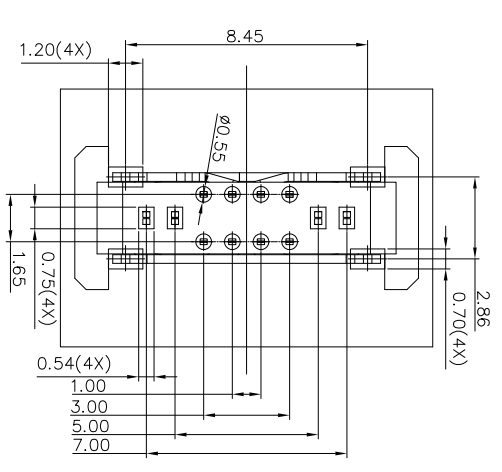
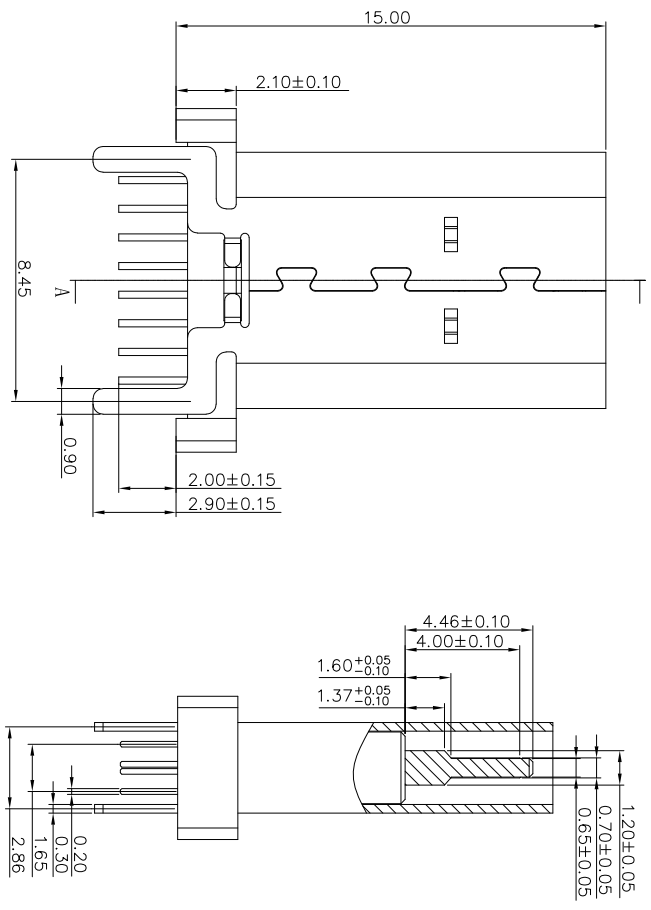
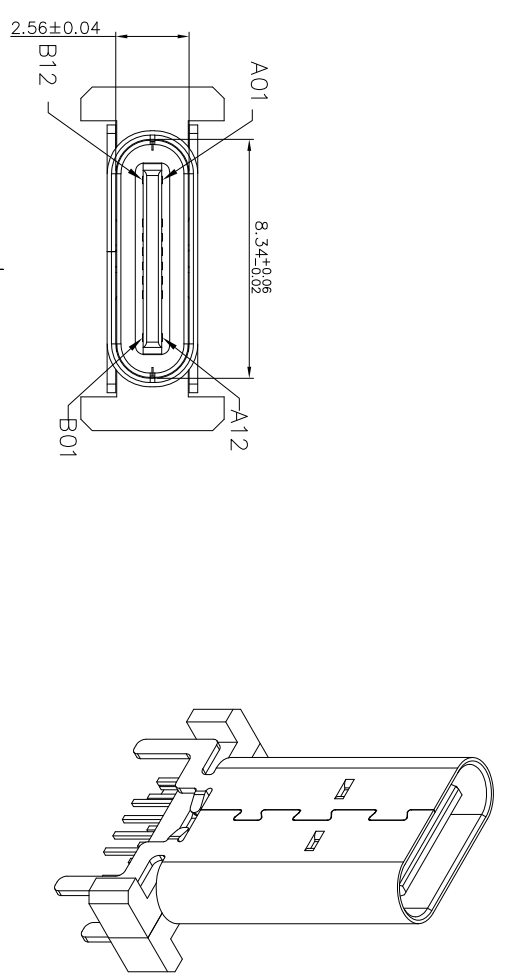
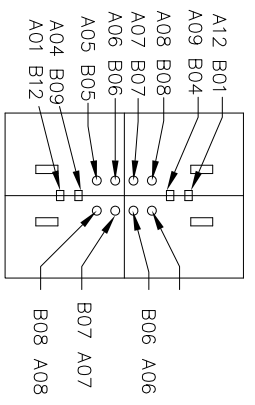


REV.	ECH. NO.	APPD.
A		

1. ELECTRICAL CHARACTERISTICS:
- 1-1. CONTACT RESISTANCE: 30mΩ MAX.
 - 1-2. DIELECTRIC WITHSTANDING VOLTAGE: 100V AC FOR ONE MINUTE.
 - 1-3. INSULATION RESISTANCE: 100MΩ MIN. MEASURED BY 500 VDC
2. MECHANICAL CHARACTERISTICS:
- 2-1. INSERTION FORCE : 0.5-2.0kgf(REF.)
 - 2-2. WITHDRAWAL FORCE : 0.8-2.0kgf(REF.)
3. LIFE TEST: 10,000 CYCLES.
4. TO CONFORM TO THE KRCONN HAZARDOUS SUBSTANCE FREE SPEC.
- ORDER INFORMATION



RECOMMENDED P.C.B. LAYOUT (T:1.00mm)
TOLERANCE UNSPECIFIED ±0.05mm



NO.	DESCRIPTION	MATERIAL	REMARKS	QTY
6	SHELL	STAINLESS STEEL	NI Plated	1PCS
5	SHIELDING PLATE	STAINLESS STEEL	---	1PCS
4	MD	HIGH TEMPERATURE PLASTIC	BLACK	1PCS
3	CONTACT	COPPER ALLOY	Au/NI Plated	1SET
2	CONTACT	COPPER ALLOY	Au/NI Plated	1SET
1	HOUSING	HIGH TEMPERATURE PLASTIC	BLACK	1PCS

MINTRON CO.,LTD.

NAME(INTENDED USE)
PART NO.(INTENDED USE)
TITLE:
TYPE C 16P母座180度插板 H=15.0

APPD: SUNNY
CHKD: USA
DR: ZOE
2022-06-10
DWG NO.: 24001-UCAF046-H

TYPE C CONNECTOR	QTY	FINISH	UNITS	mm	NAME(INTENDED USE)
X	±0.30	X° ±5°			
X	±0.20	X° ±2°	MATL		
XX	±0.10	XX° ±1°			
XXX	±0.05	.XXX° ±0.5°			

SCALE	1/1	SHEET	1/1	REV.	A
-------	-----	-------	-----	------	---