

SAC-8P-M12MS/ 5,0-28X/M12FS OD - Sensor/actuator cable



1407278

<https://www.phoenixcontact.com/us/products/1407278>

Please be informed that the data shown in this PDF document is generated from our Online Catalog. Please find the complete data in the user documentation. Our General Terms of Use for Downloads are valid.



Sensor/actuator cable, 8-position, PE-X halogen-free, black-gray RAL 7021, Plug straight M12, coding: A, on Socket straight M12, coding: A, cable length: 5 m, for outdoor applications, with high-grade steel knurl

Your advantages

- Easy and safe: 100% electrically tested plug-in components
- Robust throughout: resistant to oil, UV, and ozone, withstands temperatures from -40°C ... +105°C

Commercial Data

Item number	1407278
Packing unit	1 pc
Minimum order quantity	1 pc
Note	Made to Order (non-returnable)
Sales Key	BF03
Product Key	BF1CFA
Catalog Page	Page 157 (C-4-2013)
GTIN	4046356773966
Weight per Piece (including packing)	335.8 g
Weight per Piece (excluding packing)	335.8 g
Customs tariff number	85444290
Country of origin	PL

SAC-8P-M12MS/ 5,0-28X/M12FS OD - Sensor/actuator cable



1407278

<https://www.phoenixcontact.com/us/products/1407278>

Technical Data

Product properties

Product type	Sensor/actuator cable
Number of positions	8
Application	External areas
No. of cable outlets	1
Shielded	no
Coding	A

Insulation characteristics

Degree of pollution	3
---------------------	---

Material specifications

Color	black
Flammability rating according to UL 94	V0
Seal material	FPM
Material of grip body	PP
Contact material	CuSn
Contact surface material	Ni/Au
Contact carrier material	PP
Material for screw connection	Stainless steel

Electrical properties

Contact resistance	$\leq 5 \text{ m}\Omega$
Insulation resistance	$\geq 100 \text{ M}\Omega$
Nominal voltage U_N	30 V AC
	30 V DC
Nominal current I_N	2 A
Protective circuit	unwired

Mechanical properties

Mechanical data

Insertion/withdrawal cycles	≥ 100
-----------------------------	------------

Signaling

Status display	No
Status display present	No

Connection data

Conductor connection

Tightening torque	0.4 Nm (M12 connector)
-------------------	------------------------

SAC-8P-M12MS/ 5,0-28X/M12FS OD - Sensor/actuator cable

1407278

<https://www.phoenixcontact.com/us/products/1407278>

Connector

Connection 1

Type	Plug straight M12
Number of positions	8
Coding type	A
Number of positions	8


Connection 2

Type	Socket straight M12
Number of positions	8
Coding type	A
Number of positions	8

Cable/line

Cable length	5 m
--------------	-----

PE-X black [28X]

Dimensional drawing	
Cable weight	65 kg/km
Number of positions	8
Shielded	no
Cable type	PE-X black [28X]
Conductor structure signal line	32x 0.10 mm
AWG signal line	24
Conductor cross section	8x 0.25 mm ²
Wire diameter incl. insulation	1.17 mm ±0.02 mm
External cable diameter	6.8 mm ±0.2 mm
Outer sheath, material	PE-X
External sheath, color	black-gray RAL 7021
Conductor material	Bare Cu litz wires
Material, filler	PP yarn
Material wire insulation	PE-X
Single wire, color	white, brown, green, yellow, gray, pink, blue, red
Thickness, insulation	approx. 0.25 mm (Core insulation)
Thickness, outer sheath	approx. 1.3 mm
Overall twist	8 wires around filler to the core

SAC-8P-M12MS/ 5,0-28X/M12FS OD - Sensor/actuator cable



1407278

<https://www.phoenixcontact.com/us/products/1407278>

Length of twist, overall twist	67 mm
Max. conductor resistance	≤ 78 Ω/km (at 20 °C)
Insulation resistance	≥ 100 MΩ*km (at 20 °C)
Nominal voltage, cable	≤ 300 V AC
Test voltage	≥ 3000 V AC (Spark test)
Minimum bending radius, fixed installation	5 x D
Minimum bending radius, flexible installation	10 x D
Max. bending cycles	2000000
Halogen-free	in accordance with DIN VDE 0472 part 815 in accordance with DIN EN 50267-2-1
Flame resistance	According to DIN EN 60332-1-2 according to DIN EN 50266-2-5
Resistance to oil	According to DIN EN 60811-2-1, 168 h at 100°C According to DIN EN 50306
Other resistance	Resistance to fuels according to IEC 60811, 168 h at 70°C UV resistant according to DIN VDE 0276-605
Special properties	Irradiated
Ambient temperature (operation)	-40 °C ... 105 °C (cable, fixed installation) -15 °C ... 105 °C (Cable, flexible installation) 20 °C ±5 °C (cable, drag chain applications)

Environmental and real-life conditions

Ambient conditions

Degree of protection	IP65 IP67 IP68 IP69K
Ambient temperature (operation)	-40 °C ... 105 °C (Plug / socket) -40 °C ... 85 °C (On sudden changes in temperature (according to IEC 60512-11-4))

Standards and regulations

M12

Standards/specifications	IEC 61076-2-101
--------------------------	-----------------

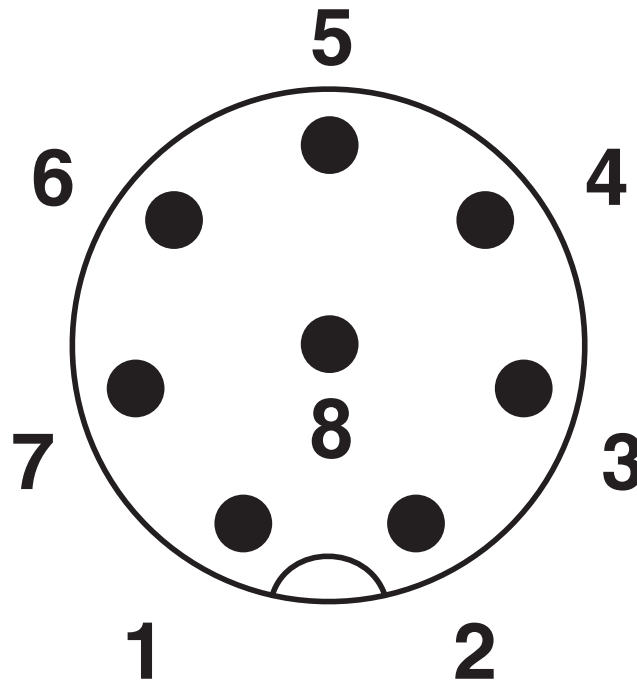
SAC-8P-M12MS/ 5,0-28X/M12FS OD - Sensor/actuator cable

1407278

<https://www.phoenixcontact.com/us/products/1407278>

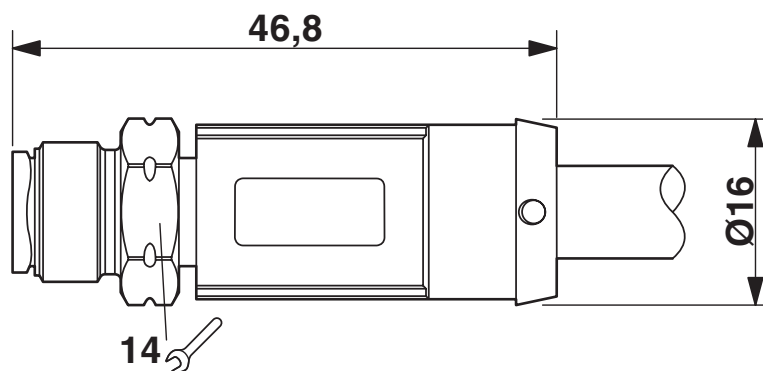
Drawings

Schematic diagram



Pin assignment M12 plug, 8-pos., A-coded, view plug side

Dimensional drawing



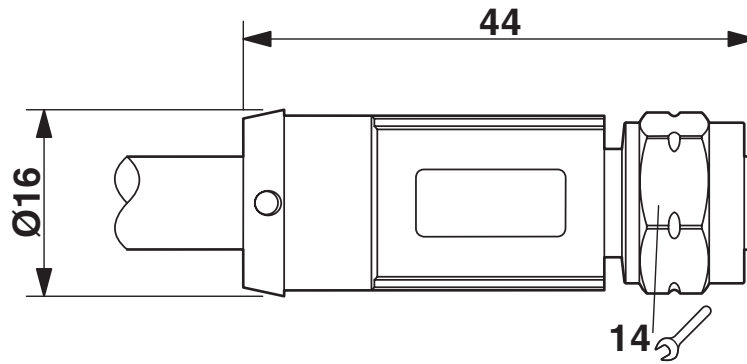
Plug, M12 x 1, straight, shielded

SAC-8P-M12MS/ 5,0-28X/M12FS OD - Sensor/actuator cable

1407278

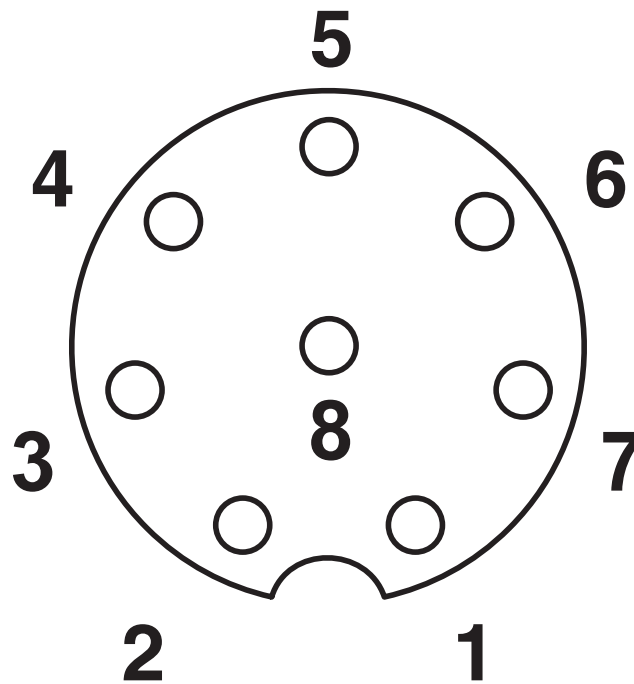
<https://www.phoenixcontact.com/us/products/1407278>

Dimensional drawing



M12 x 1 socket, straight

Schematic diagram



Pin assignment M12 socket, 8-pos., A-coded, view female side

SAC-8P-M12MS/ 5,0-28X/M12FS OD - Sensor/actuator cable



1407278

<https://www.phoenixcontact.com/us/products/1407278>

Circuit diagram



SAC-8P-M12MS/ 5,0-28X/M12FS OD - Sensor/actuator cable



1407278

<https://www.phoenixcontact.com/us/products/1407278>

Approvals



EAC

Approval ID: RU C-DE.BL08.B.00286



EAC-RoHS

Approval ID: RU D-DE.HB35.B.00387

SAC-8P-M12MS/ 5,0-28X/M12FS OD - Sensor/actuator cable



1407278

<https://www.phoenixcontact.com/us/products/1407278>

Classifications

ECLASS

ECLASS-11.0	27060311
ECLASS-12.0	27060311
ECLASS-13.0	27060311

ETIM

ETIM 8.0	EC001855
----------	----------

UNSPSC

UNSPSC 21.0	26121600
-------------	----------

SAC-8P-M12MS/ 5,0-28X/M12FS OD - Sensor/actuator cable



1407278

<https://www.phoenixcontact.com/us/products/1407278>

Environmental Product Compliance

China RoHS	Environmentally friendly use period: unlimited = EFUP-e
	No hazardous substances above threshold values

SAC-8P-M12MS/ 5,0-28X/M12FS OD - Sensor/actuator cable



1407278

<https://www.phoenixcontact.com/us/products/1407278>

Accessories

TSD 04 SAC - Torque screwdriver

1208429

<https://www.phoenixcontact.com/us/products/1208429>



Torque screwdriver, with preset torque of 0.4 Nm and 4 mm hexagonal drive for M12 connectors

TSD-M 1,2NM - Torque screwdriver

1212224

<https://www.phoenixcontact.com/us/products/1212224>



Torque screw driver, accuracy as per EN ISO 6789 standard, adjustable from 0.3 - 1.2 Nm

SAC-8P-M12MS/ 5,0-28X/M12FS OD - Sensor/actuator cable



1407278

<https://www.phoenixcontact.com/us/products/1407278>

TSD-M SAC-BIT ADAPTER - Adapter insert

1212600

<https://www.phoenixcontact.com/us/products/1212600>



Adapter bit for TSD-M...torque tools, E6.3-1/4" drive with 4 mm hexagon to accommodate SAC bits

SAC BIT M12-W14 - Tool

1212513

<https://www.phoenixcontact.com/us/products/1212513>



Nut for assembling sensor/actuator cables with M12 connector and M12 connectors for assembly, with a hexagonal knurl wrench size of 14 mm, with 4 mm hexagonal drive

Phoenix Contact 2023 © - all rights reserved
<https://www.phoenixcontact.com>

Phoenix Contact USA
586 Fulling Mill Road
Middletown, PA 17057, United States
(+717) 944-1300
info@phoenixcon.com