

SPECIFICATION

FOR APPROVAL

Customer : _____
Product Name : Microphone
Model Name : VS9750NS47
Drawing No. : VS201811019

Signature of Voice

Approved by	Checkde by	Issued by	Date



Address: No 96 Mogao Dongqian Lake Industrial Area ningbo, China.
Tel: 0086-0574-87773030; Fax: 0086-0574-87471600 P.C. 315121
<http://www.nbvoice.com> Email: sales@nbvoice.com

Table of contents

1. Revision
2. Scope
3. General Characteristics
4. Electrical and Acoustic Characteristics.
5. Measurement Method & Frequency Response curve
6. Dimensions

1. Revision

Rev.No.	Date	Page	Description of Revision
1.0	2018/12/11		Preliminary

Specification for Microphone		Page	2/4
		Revision No.	1.0
Model No.:	VS9750NS47	Drawing No.	VS201811019

2. Scope

This specification applies electret condenser microphone.

3. General Characteristics

- 3.1 Out-Diameter : 9.7 mm
- 3.2 Height : 5 mm
- 3.3 Weight : 1 g
- 3.4 Operating Temperature : -30+60°C without loss of function
- 3.5 Store Temperature : -40~+70°C without loss of function

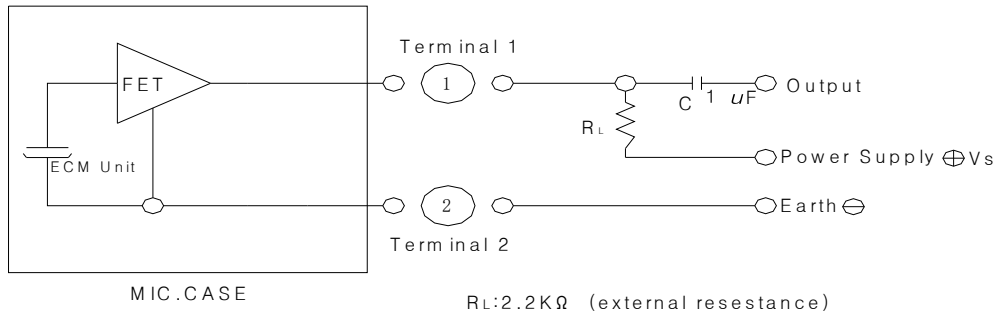
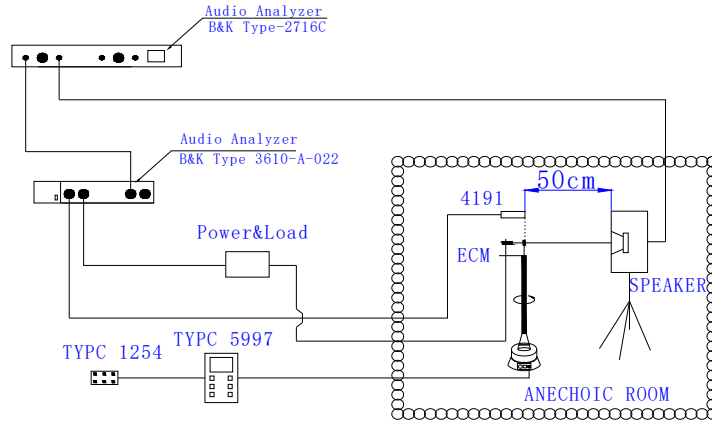
4. Electrical and Acoustic Characteristics.

Test condition :5 ~ 35 °C Temp., 35% ~85% RH,86~106 kPa 1kHz , RL=2.2KΩ

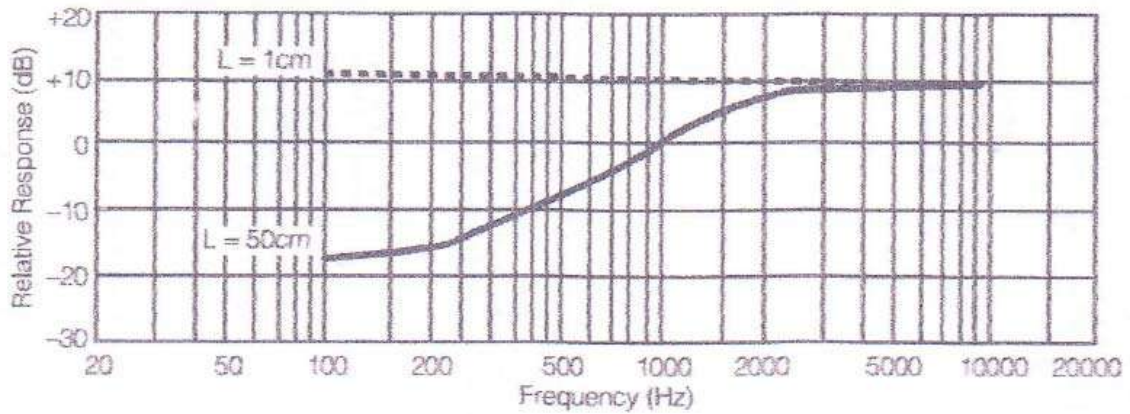
No	Items	Specification
1	Directivity	Noise Cancelling
2	Sensitivity (S)	-47dB±3dB (1KHZ, 0dB=1V/pa)
3	Power Supply Voltage(Vs)	1.5 V
4	Output impedance (RL)	2.2 KΩ
5	Operating Voltage	1-10 V
6	Sensitivity reduction within 1.5V	-3dB
7	Frequency	100-10,000Hz
8	Max. Current Consumption	0.5 mA
9	Min S/N ratio	58 dB
10	Material	AL
11	Environmental Regulations	RoHS

We use "Pascal (Pa)" indication of sensitivity as per the recommendation of I.E.C.(International Electro technical Commission).The Sensitivity of "Pa" will increase 20dB comparing with "ubar" indication.
Example: -60dB (0dB=1V/ubar) =-40dB (1V/Pa)

5. Measurement Method & Frequency Response curve



Vs: 1.5V RL: 2.2KΩ C1=1uF



Specification for Microphone

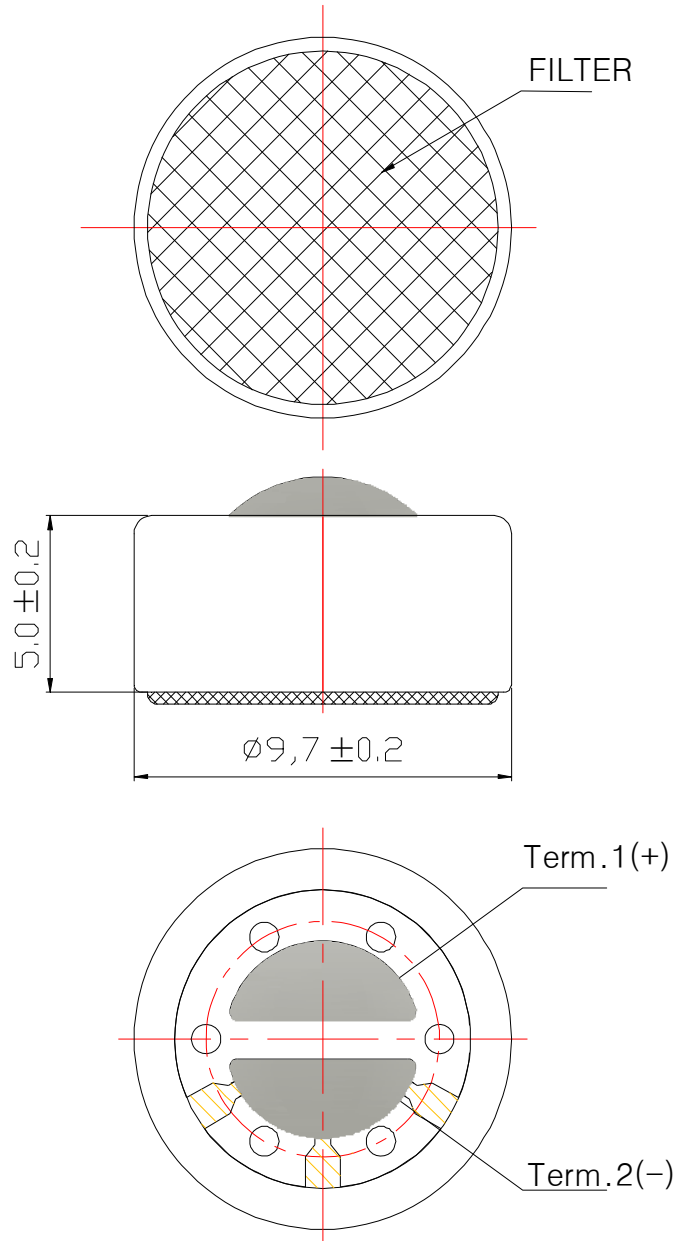
Page 4/4

Model No.: VS9750NS47

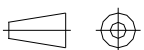
Revision No. 1.0

Drawing No. VS201811019

6. Dimensions



FIRST ANGLE PROJECTION



UNIT : mm

Tolerance : ± 0.2