

CT15 Series, Snubber Capacitors

General Description

Double side metallized polyester construction
 Lower ESR and ESL, Long life time
 Self healing property, small inherent temperature rise
 Tinned copper lugs for screw fixing, Non-inductive type
 Widely used in high voltage, high frequency circuit

Applications

Especially as snubber capacitor for IGBT
 Induction heating machine
 Welders, Inverters, UPS, EPS

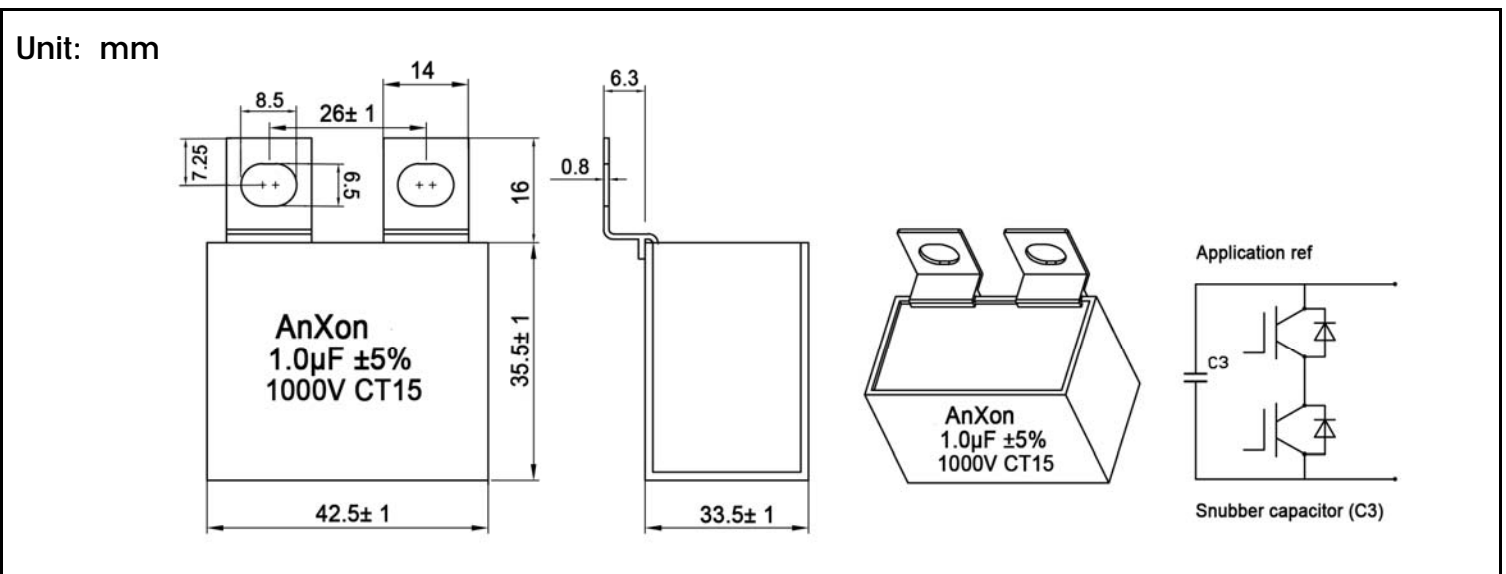
Electrical Characteristics

Rated Voltage(U_n): See below
 Rated current(I_{rms}): See below
 Test Voltage: $U_{it}=1800VDC$ 60s
 Dissipation factor($\tan\delta$): $< 8.0 \times 10^{-4}$, (10kHz, 25°C)
 Life expectancy: 100000 hours
 Operating temperature: -40°C~85°C
 Insulation resistance(R_i): $R \cdot C > 5000S$ 100VDC 60S

Capacitance(C_n): See below
 Max surge current(I_s): See below, (dv/dt 750V/uS)
 Max surge voltage: $U_s=2000VDC$ t<100ms
 Self-inductance $L_s \leq 30nH$
 Failure rate: <30fit
 Storage temperature: -40°C~85°C
 Fire resistance: UL94-V0

Part Number	U_n	C_n		I_{rms}	I_s	ESR	Dimension(mm)			Terminals
	DC	μF	Tol	A	A	m Ω	L \pm 1	W \pm 1	H \pm 1	
AXCT15105J1000DB	1000V	1.0	$\pm 5\%$	29	650	6	42.5	33.5	35.5	copper lugs

Dimension



Custom Products are available on request