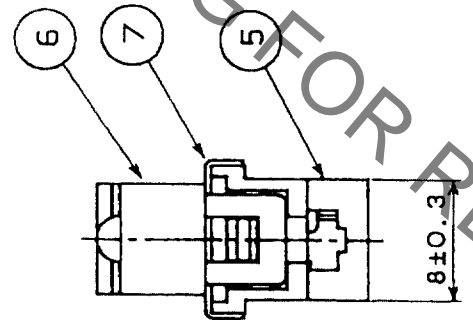
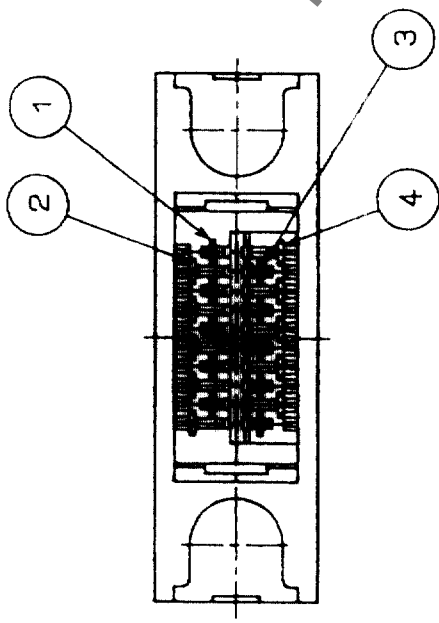
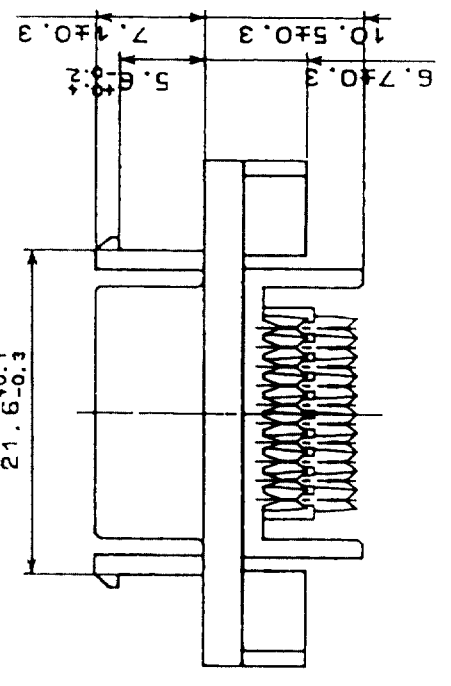
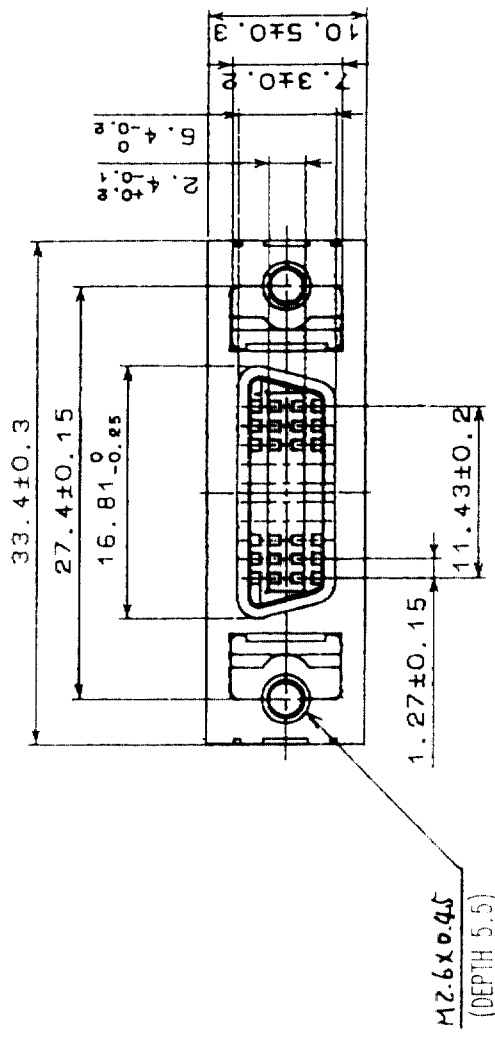
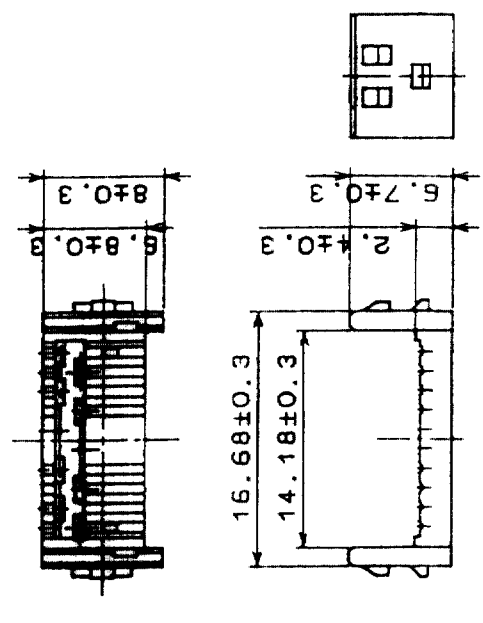


Jan. 1. 2022 Copyright 2022 HIROSE ELECTRIC CO., LTD. All Rights Reserved.
 In case of consideration for using Automotive equipment / device which demand high reliability, kindly contact our sales window correspondents.

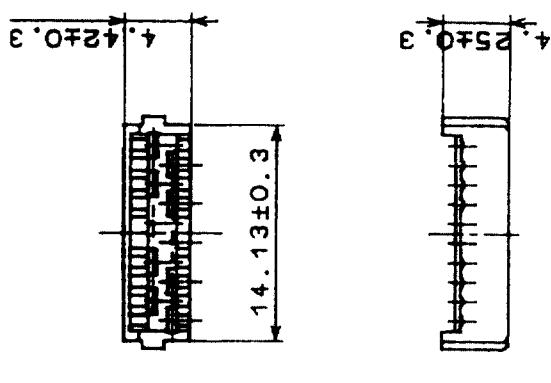
COUNT	DESCRIPTION OF REVISIONS	BY	CHKD	DATE	COUNT	DESCRIPTION OF REVISIONS	BY	CHKD	DATE



8 ATTACHED PARTS



9 ATTACHED PARTS



HRS DRAWING FOR REFERENCE

NO.	MATERIAL	FINISH, REMARKS	NO.	MATERIAL	FINISH, REMARKS
5	PBT	UL94V-0(MILKY-WHITE)	9	PBT	UL94V-0(BLACK)
4	PHOSPHOR BRONZE	SELECTIVE GOLD PLATING 0.2μm	8	PBT	UL94V-0(BLACK)
3	PHOSPHOR BRONZE	SELECTIVE GOLD PLATING 0.2μm	7	STEEL	NICKEL PLATING
2	PHOSPHOR BRONZE	SELECTIVE GOLD PLATING 0.2μm	6	ZINC ALLOY DIE CASTING	NICKEL PLATING
1	PHOSPHOR BRONZE	SELECTIVE GOLD PLATING 0.2μm			

CODE NO. (OLD)	CL	DRAWING NO.	EDC3-040144-02	PART NO.	DX31A-20S(50)

SCALE	UNITS	DESIGNED	CHECKED	APPROVED	RELEASED
2 : 1	mm	Y. Enami	Y. Enami	X. Minami	
		03.10.17	03.10.08	03.10.09	

TO	Q
----	---

Mouser Electronics

Authorized Distributor

Click to View Pricing, Inventory, Delivery & Lifecycle Information:

[Hirose Electric:](#)

[DX31A-20S\(50\)](#)