

ON Semiconductor

Is Now

onsemi™

To learn more about onsemi™, please visit our website at
www.onsemi.com

onsemi and **onsemi** and other names, marks, and brands are registered and/or common law trademarks of Semiconductor Components Industries, LLC dba "**onsemi**" or its affiliates and/or subsidiaries in the United States and/or other countries. **onsemi** owns the rights to a number of patents, trademarks, copyrights, trade secrets, and other intellectual property. A listing of **onsemi** product/patent coverage may be accessed at www.onsemi.com/site/pdf/Patent-Marking.pdf. **onsemi** reserves the right to make changes at any time to any products or information herein, without notice. The information herein is provided "as-is" and **onsemi** makes no warranty, representation or guarantee regarding the accuracy of the information, product features, availability, functionality, or suitability of its products for any particular purpose, nor does **onsemi** assume any liability arising out of the application or use of any product or circuit, and specifically disclaims any and all liability, including without limitation special, consequential or incidental damages. Buyer is responsible for its products and applications using **onsemi** products, including compliance with all laws, regulations and safety requirements or standards, regardless of any support or applications information provided by **onsemi**. "Typical" parameters which may be provided in **onsemi** data sheets and/or specifications can and do vary in different applications and actual performance may vary over time. All operating parameters, including "Typicals" must be validated for each customer application by customer's technical experts. **onsemi** does not convey any license under any of its intellectual property rights nor the rights of others. **onsemi** products are not designed, intended, or authorized for use as a critical component in life support systems or any FDA Class 3 medical devices or medical devices with a same or similar classification in a foreign jurisdiction or any devices intended for implantation in the human body. Should Buyer purchase or use **onsemi** products for any such unintended or unauthorized application, Buyer shall indemnify and hold **onsemi** and its officers, employees, subsidiaries, affiliates, and distributors harmless against all claims, costs, damages, and expenses, and reasonable attorney fees arising out of, directly or indirectly, any claim of personal injury or death associated with such unintended or unauthorized use, even if such claim alleges that **onsemi** was negligent regarding the design or manufacture of the part. **onsemi** is an Equal Opportunity/Affirmative Action Employer. This literature is subject to all applicable copyright laws and is not for resale in any manner. Other names and brands may be claimed as the property of others.

LB1838M



ON Semiconductor®

<http://onsemi.com>

Monolithic Digital IC Low-Voltage, Low-Saturation Bidirectional Motor Driver Application Note

Overview

The LB1838M is a low-saturation two-channel bidirectional motor driver IC for use in low-voltage applications.

The LB1838M is a bipolar stepper-motor driver IC that is ideal for use in printers, cameras and other portable devices.

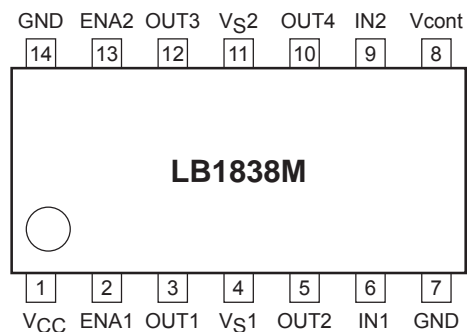
Functions

- Low voltage operation (2.5V min)
- Low saturation voltage (upper transistor + lower transistor residual voltage: 0.40V at 400mA)
- Built-in through-current prevention circuit
- Separate logic power supply and motor power supply
- Built-in spark killer diodes
- Built-in thermal shutdown circuit
- Compact package: MFP14S

Typical Applications

- Automotive speed meter
- Security camera
- Thermal Printer Unit
- Camera
- POS, Card Terminal

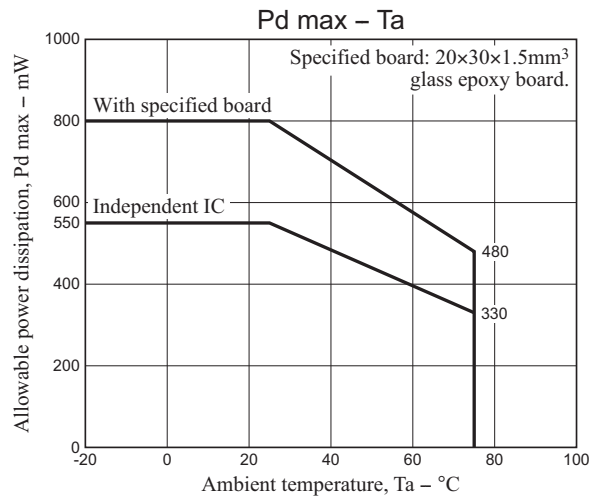
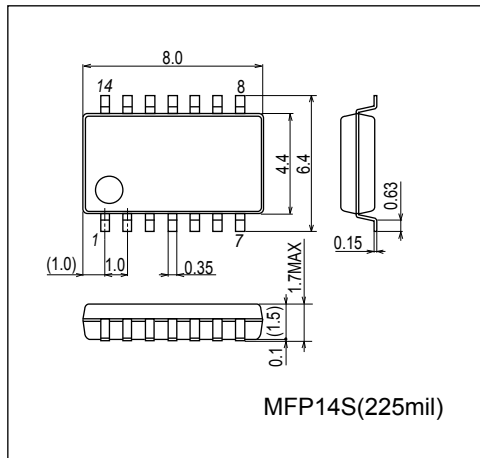
Pin Assignment



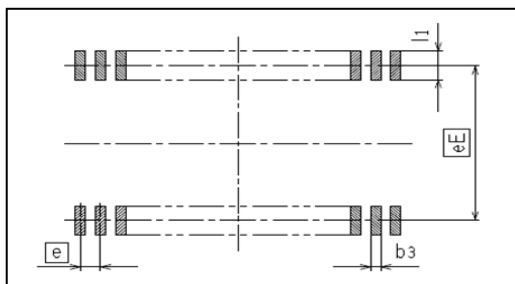
Note: Both GND pins should be connected to ground.

Package Dimensions

unit: mm (typ)



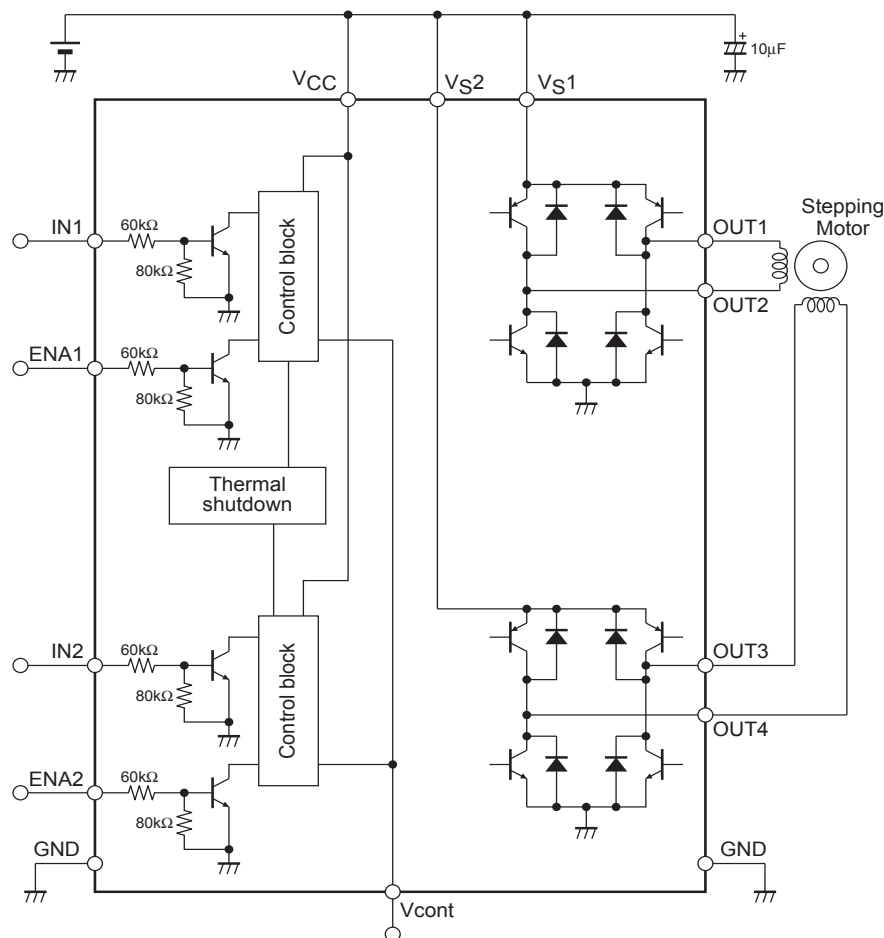
Recommended Soldering Footprint



(Unit:mm)

Reference Symbol	MFP14S (225mil)
eE	5.70
e	1.00
b3	0.47
l1	1.10

Block Diagram



Note: As long as the voltages applied to V_{CC} , V_{S1} , V_{S2} , EN_{A1} , EN_{A2} , IN_1 , and IN_2 are within the limits set by the absolute maximum ratings, there are no restrictions on the relationship of each voltage level in comparison with the others (regarding which is higher or lower). (ex. $V_{CC} = 3V$, $V_{S1, 2} = 2V$, $EN_A = IN = 5V$)

Specifications

Absolute Maximum Ratings at $T_a = 25^\circ\text{C}$

Parameter	Symbol	Conditions	Ratings	Unit
Maximum supply voltage	$V_{CC \text{ max}}$		-0.3 to +10.5	V
	$V_S \text{ max}$		-0.3 to +10.5	V
Output applied voltage	V_{OUT}		$V_S + V_{SF}$	V
Input applied voltage	V_{IN}		-0.3 to +10	V
Ground pin flow-out current	I_{GND}	Per channel	1.0	A
Allowable power dissipation	$P_d \text{ max}$	Independent IC	550	mW
		Mounted on a specified board *	800	mW
Operating temperature	T_{op}		-20 to +75	$^\circ\text{C}$
Storage temperature	T_{stg}		-40 to +125	$^\circ\text{C}$

* Specified board: 20mm × 30mm × 1.6mm, glass epoxy board.

Caution 1) Absolute maximum ratings represent the value which cannot be exceeded for any length of time.

Caution 2) Even when the device is used within the range of absolute maximum ratings, as a result of continuous usage under high temperature, high current, high voltage, or drastic temperature change, the reliability of the IC may be degraded. Please contact us for the further details.

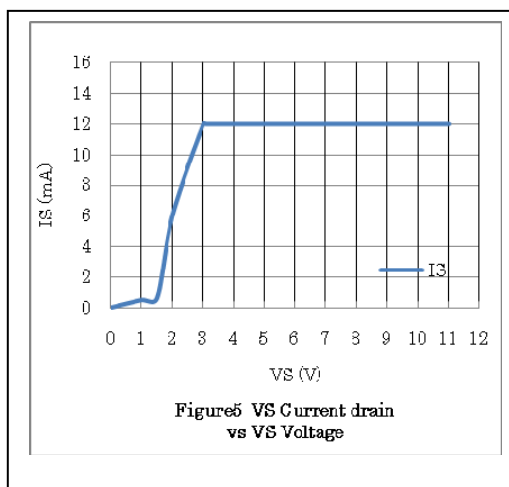
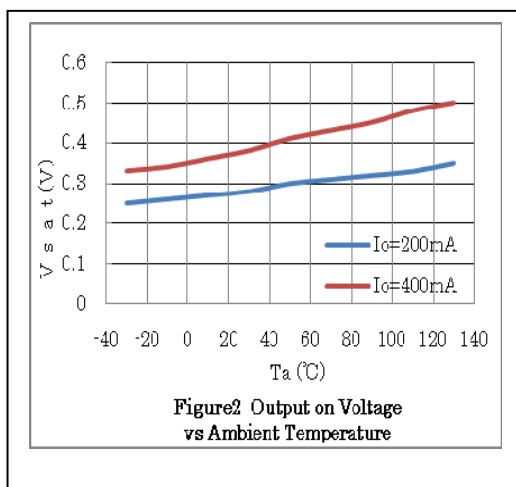
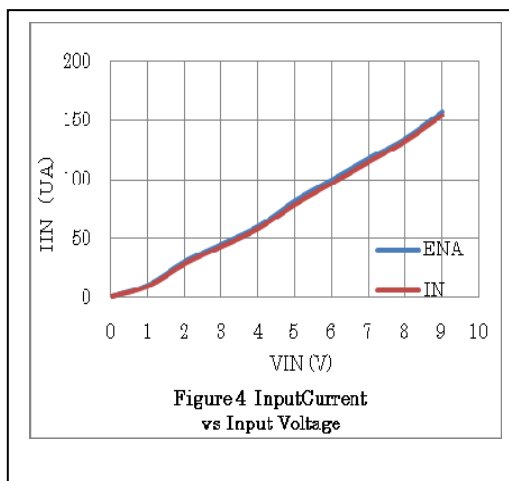
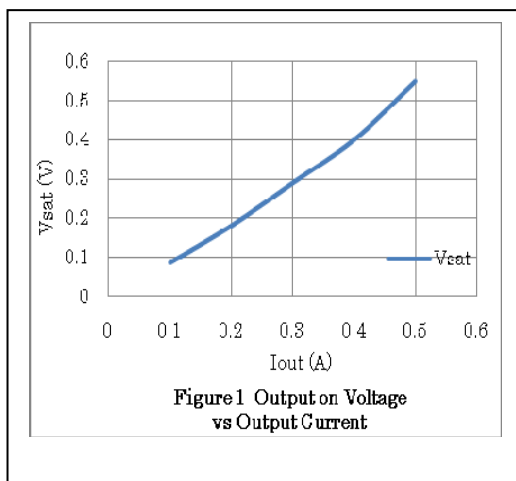
Stresses exceeding Maximum Ratings may damage the device. Maximum Ratings are stress ratings only. Functional operation above the Recommended Operating Conditions is not implied. Extended exposure to stresses above the Recommended Operating Conditions may affect device reliability.

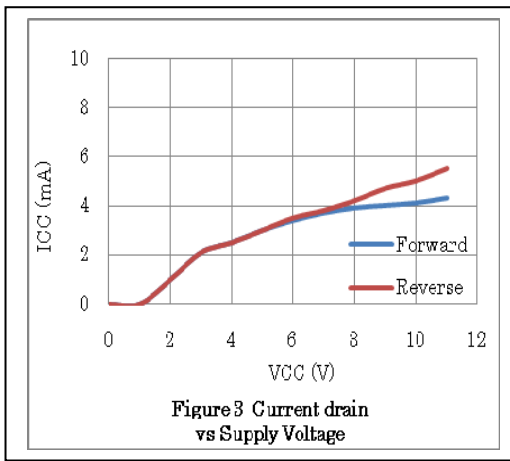
Recommended Operating Conditions at Ta = 25°C

Parameter	Symbol	Conditions	Ratings			Unit
			min	typ	max	
Supply voltage	V _{CC}		2.5		9.0	V
	V _S		1.8		9.0	V
Input high-level voltage	V _{IH}		1.8		9.0	V
Input Low-level voltage	V _{IL}		-0.3		+0.7	V

Electrical Characteristics at Ta = 25°C, V_{CC} = 3V

Parameter	Symbol	Conditions	Ratings			Unit
			min	typ	max	
Current drain	I _{CC0}	ENA1,2 = 0V, V _{IN1} = 3V or 0V		0.1	10	μA
	I _{CC1}	ENA1 = 3V, V _{IN1} = 3V or 0V		12	18	mA
Output saturation voltage	V _{OUT1}	ENA = 3V, V _{IN} = 3V or 0V, I _{OUT} = 200mA		0.2	0.28	V
	V _{OUT2}	ENA = 3V, V _{IN} = 3V or 0V, I _{OUT} = 400mA		0.4	0.6	V
Input current	I _{IN}	V _{CC} = 6V, V _{IN} = 6V			200	μA
	I _{ENA}	V _{CC} = 6V, ENA = 6V			200	μA
Output sustaining voltage	V _{O(SUS)}	I _{OUT} = 400mA	9			V
Spark killer diode						
Reverse current	I _{S(leak)}	V _{CC1} , V _S = 7V			30	μA
Forward voltage	V _{SF}	I _{OUT} = 400mA			1.7	V





Pin function

Pin No.	Pin name	Pin function	Equivalent Circuit
1	VCC	Power-supply voltage pin. (signal supply) V _{CC} voltage is impressed. The permissible operation voltage is from 2.5 to 9.0(V). The capacitor is connected for stabilization for GND pin (7pin,14pin).	
4 11	VS1 VS2	Power-supply voltage pin. (motor supply) The permissible operation voltage is from 1.8 to 9.0(V). The capacitor is connected for stabilization for GND pin (7pin,14pin).	
2	ENA1	Motor stand-by (start-stop pin) control input pin. Start-stop control input pin of OUT1 (3pin) and OUT2 (5pin). The digital input it, range of the "L" level input is 0 to 0.7(V), range of the "H" level input is from 1.8 to 9.0(V). Pull-down resistance 30(kΩ) is built into in the pin. It combines with ENA2 pin (4pin) and it uses it.	
6	IN1	Motor forward-reverse (direction pin) control input pin. Direction control input pin of OUT1 (3pin) and OUT2 (5pin). It combines with IN2 pin (9pin) and it uses it. With built-in pull-down resistance.	
13	ENA2	Motor stand-by (start-stop pin) control input pin. Start-stop control input pin of OUT3 (12pin) and OUT4 (10pin). It combines with ENA1 pin (2pin) and it uses it. With built-in pull-down resistance.	
9	IN2	Motor forward-reverse (direction pin) control input pin. Direction control input pin of OUT3 (12pin) and OUT4 (10pin). It combines with IN1 pin (6pin) and it uses it. PWM can be input. With built-in pull-down resistance.	
7,14	GND	Ground pin.	
8	Vcont	Pre-drive monitor terminal. Please refer to Vcontpin explanation.	

Continued on next page.

10	OUT4	Driving output pin. The motor coil is connected between terminal OUT3 (12pin).	
12	OUT3	Driving output pin. The motor coil is connected between terminal OUT4 (10pin).	
5	OUT2	Driving output pin. The motor coil is connected between terminal OUT1 (3pin).	
3	OUT1	Driving output pin. The motor coil is connected between terminal OUT2 (5pin).	

Operation explanation

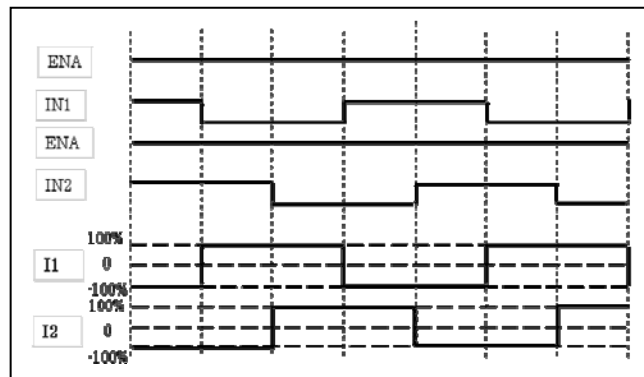
1. LB1838M Input-Output Logic

Truth Table

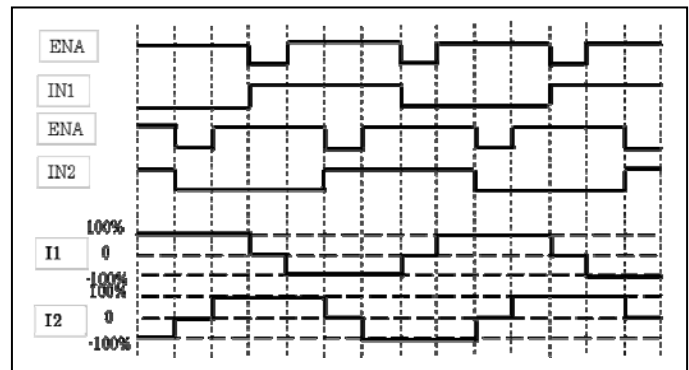
IN1,2	ENA1,2	OUT1,3	OUT2,4	Mode
L	H	H	L	Forward
H	H	L	H	Reverse
L	L	OFF	OFF	Standby
H	L	OFF	OFF	Standby

2. Stepping motor operation Sequence

Example of current wave type in each excitation mode when stepping motor parallel input is controlled.



2 phase excitation



1-2 phase excitation

3. Theory

- Full-Step MODE

The motor moves 90 degrees in an electric corner when I input 1Step.

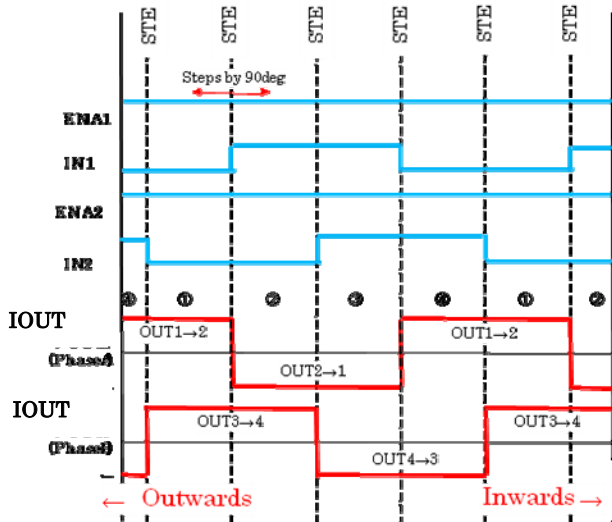


Figure 10. Full-Step Timing

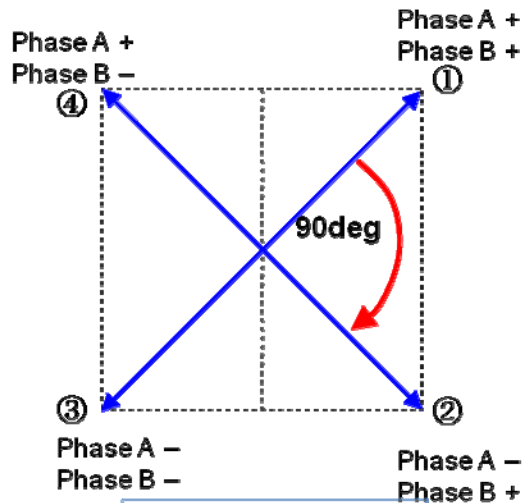


Figure 11. Motor electric angle (Full Step Drive)

- Half-Step MODE

The motor moves 45 degrees in an electric corner when I input 1Step

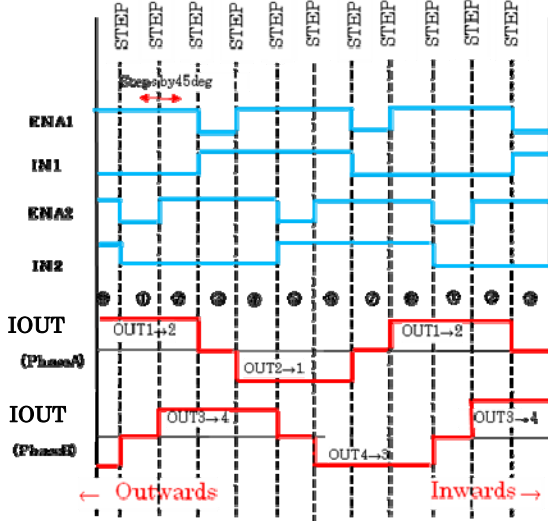


Figure 12. Half-Step Timing

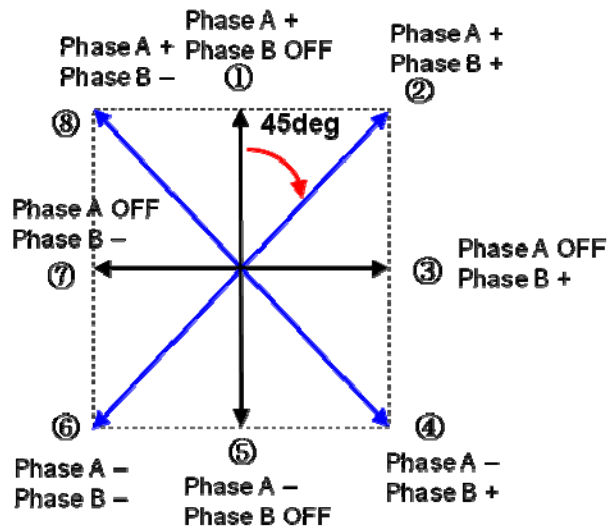
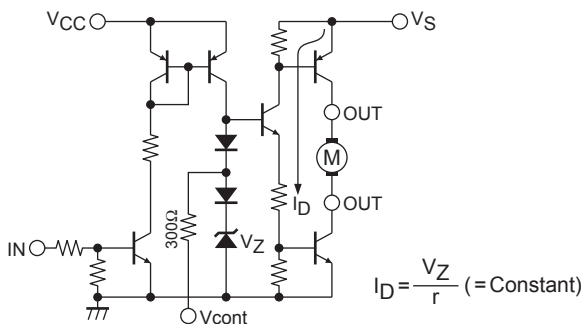


Figure 13. Motor electric angle (Half-Step Drive)

4. Vcont pin



As shown in the left diagram, the Vcont pin outputs the voltage of the band gap Zener $V_Z + V_F (= 1.93V)$. In normal use, this pin is left open.

The drive current I_D is varied by the Vcont voltage. However, because the band gap Zener is shared, it functions as a bridge.

The motor can stop by making vcont terminal GND in emergency.

5. Thermal Shutdown circuit

The thermal shutdown circuit is incorporated and the output is turned off when junction temperature T_j exceeds 180°C and the abnormal state warning output is turned on. As the temperature falls by hysteresis, the output turned on again (automatic restoration).

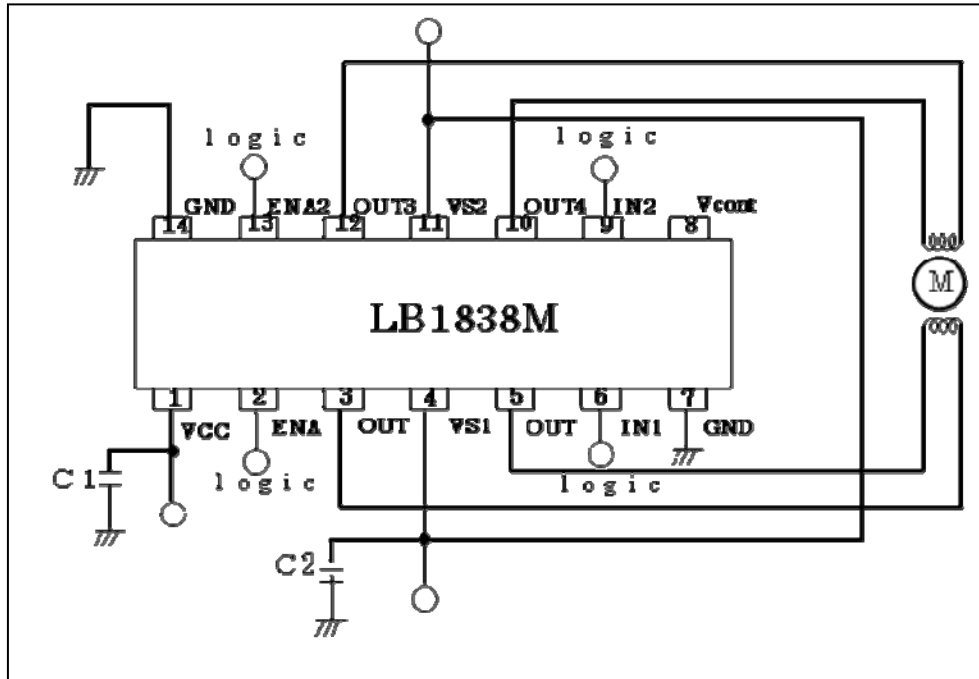
The thermal shutdown circuit does not guarantee the protection of the final product because it operates when the temperature exceed the junction temperature of $T_{j\text{max}}=150^\circ\text{C}$.

$$TSD = 180^\circ\text{C (typ)}$$

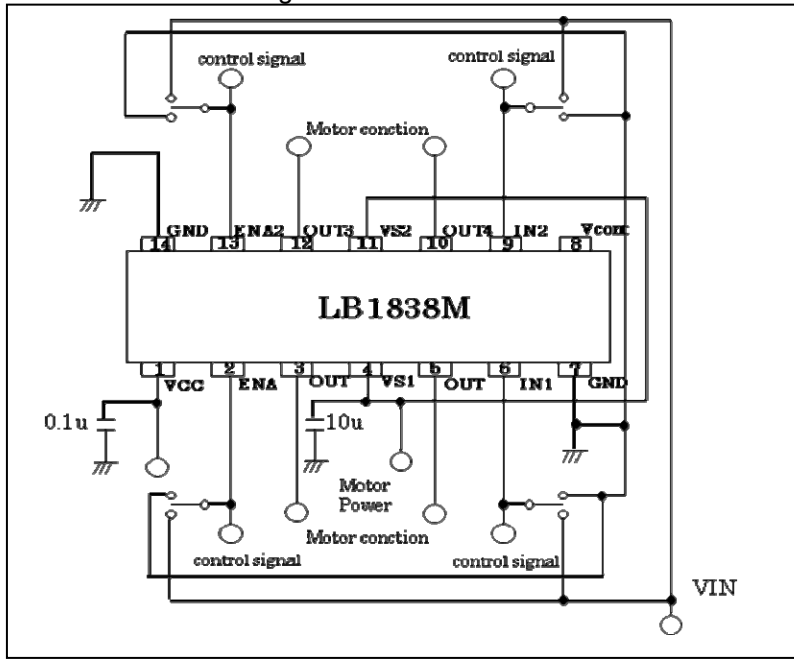
$$\Delta TSD = 40^\circ\text{C (typ)}$$

Application Circuit Example

Example of applied circuit with one stepping motor



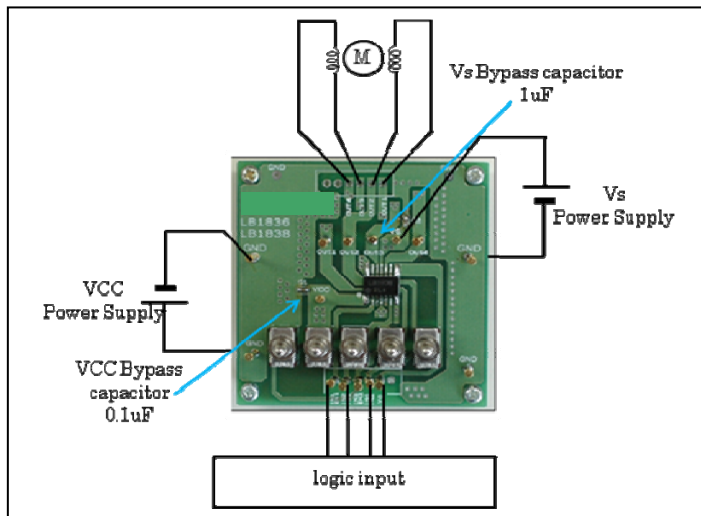
1. Eva-Board circuit diagram



Bill of Materials for LB1838M Evaluation Board

Designator	Qty	Description	Value	Tol	Footprint	Manufacturer	Manufacturer Part Number	Substitution Allowed	Lead Free
IC1	1	Motor Driver			MFP14S (225mil)	ON semiconductor	LB1838M	No	Yes
C1	1	VCC Bypass capacitor	1μF 50V			KOA	GRM188B11A 105K	Yes	Yes
C2	1	Vs Bypass capacitor	0.1u 100v			Murata	GRM188R72A 104KA35D	Yes	Yes
SW1-SW4	4	Switch				MIYAMA	MS-621-A01	Yes	Yes
TP1-TP11	14	Test points				MAC8	ST-1-3	Yes	Yes

2. (1) One stepping motor drive

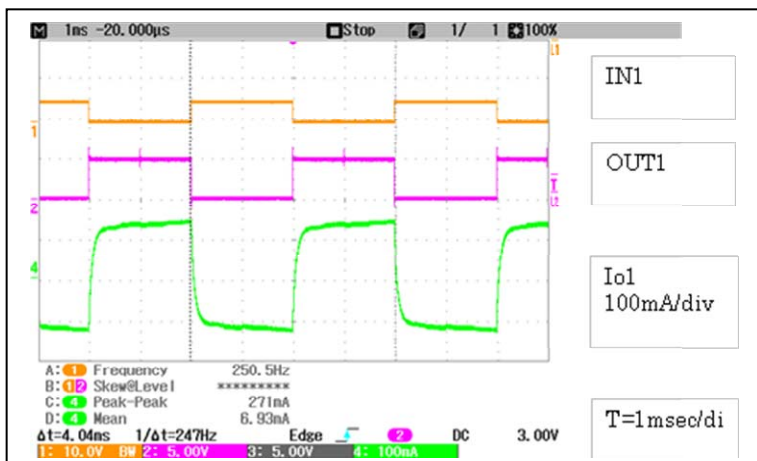


(2) Stepping motor drive connection explanation

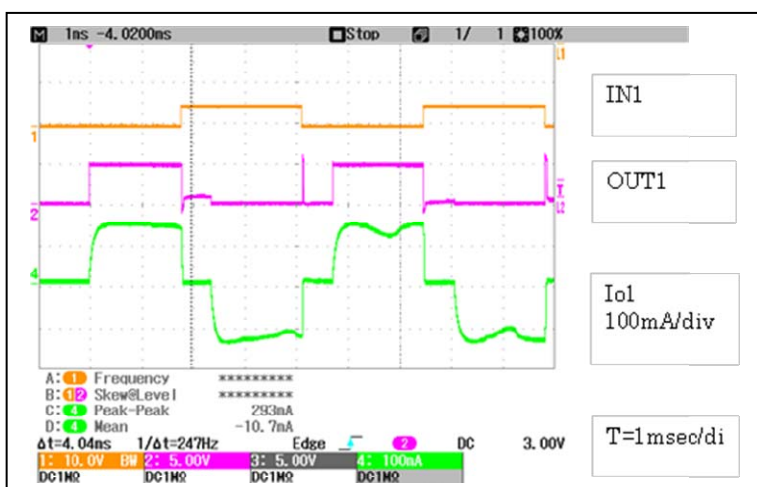
- Connect a stepping motor with OUT1, OUT2, OUT3 and OUT4.
- Connect the motor power supply with the terminal VCC, the control power supply with the terminal VIN. Connect the GND line with the terminal GND.
- STP motor drives it in an 2 phase excitation, 1-2 phase excitation by inputting an input signal such as follows into ENA1,N1,ENA2,IN2.

Waveform of LB1838M evaluation board when driving stepping motor

- Full-Step Drive VCC=5V, VS=5V 1000pps



- Half-Step Drive VCC=5V, VS=5V 1600pps



ON Semiconductor and the ON logo are registered trademarks of Semiconductor Components Industries, LLC (SCILLC). SCILLC owns the rights to a number of patents, trademarks, copyrights, trade secrets, and other intellectual property. A listing of SCILLC's product/patent coverage may be accessed at www.onsemi.com/site/pdf/Patent-Marking.pdf. SCILLC reserves the right to make changes without further notice to any products herein. SCILLC makes no warranty, representation or guarantee regarding the suitability of its products for any particular purpose, nor does SCILLC assume any liability arising out of the application or use of any product or circuit, and specifically disclaims any and all liability, including without limitation special, consequential or incidental damages. "Typical" parameters which may be provided in SCILLC data sheets and/or specifications can and do vary in different applications and actual performance may vary over time. All operating parameters, including "Typicals" must be validated for each customer application by customer's technical experts. SCILLC does not convey any license under its patent rights nor the rights of others. SCILLC products are not designed, intended, or authorized for use as components in systems intended for surgical implant into the body, or other applications intended to support or sustain life, or for any other application in which the failure of the SCILLC product could create a situation where personal injury or death may occur. Should Buyer purchase or use SCILLC products for any such unintended or unauthorized application, Buyer shall indemnify and hold SCILLC and its officers, employees, subsidiaries, affiliates, and distributors harmless against all claims, costs, damages, and expenses, and reasonable attorney fees arising out of, directly or indirectly, any claim of personal injury or death associated with such unintended or unauthorized use, even if such claim alleges that SCILLC was negligent regarding the design or manufacture of the part. SCILLC is an Equal Opportunity/Affirmative Action Employer. This literature is subject to all applicable copyright laws and is not for resale in any manner.