



fitted with

- work equipment
- connected load
- power consumption
- luminous flux
- luminous efficacy
- light distribution
- light color
- color rendering index (CRI)
- glare-free
- system of protection
- class of protection
- technology
- usage
- luminaire body
- lamp cover
- tubular sections
- weight (net)
- mains lead

LED

- electronic plug-in transformer
- 100-240 V; 50/60 Hz
- approx. 6 W
- approx. 460 lm
- approx. 77 lm/W
- direct, wide-angled beam
- neutral white, approx. 5000 K
- > 70
- screen
- IP 67
- II with plug-in power supply; III without plug-in power supply
- switchable
- pressure switch
- aluminium, painted, black
- glass screen
- flexible metal tube, black
- approx. 1.7 kg (3.7 lbs)
- approx. 3 m (9.8 ft); mains plug
- US and foreign plugs included

fastening

special features

- screw-down flange
- Flood with 30° angle of radiation



BS 1363 A



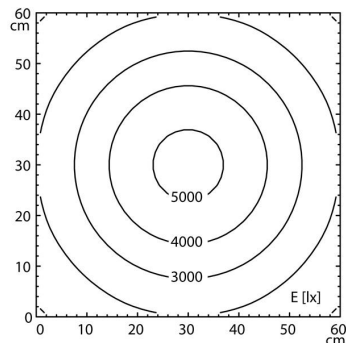
CEE 7/XVI



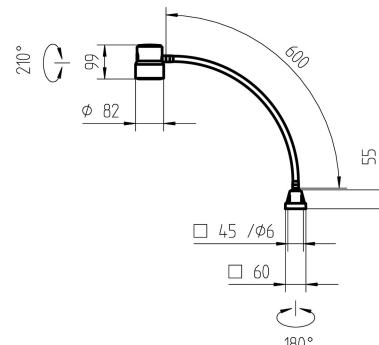
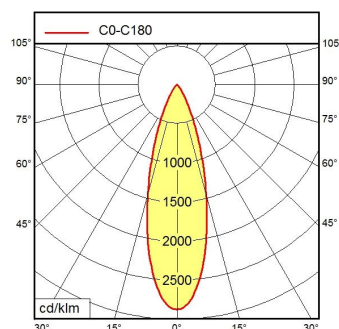
NEMA 1-15P

illuminance

distance: 50 cm
Em: 2969 lx
Emax: 5298 lx
Emin: 1085 lx



luminous intensity



dimensions in mm