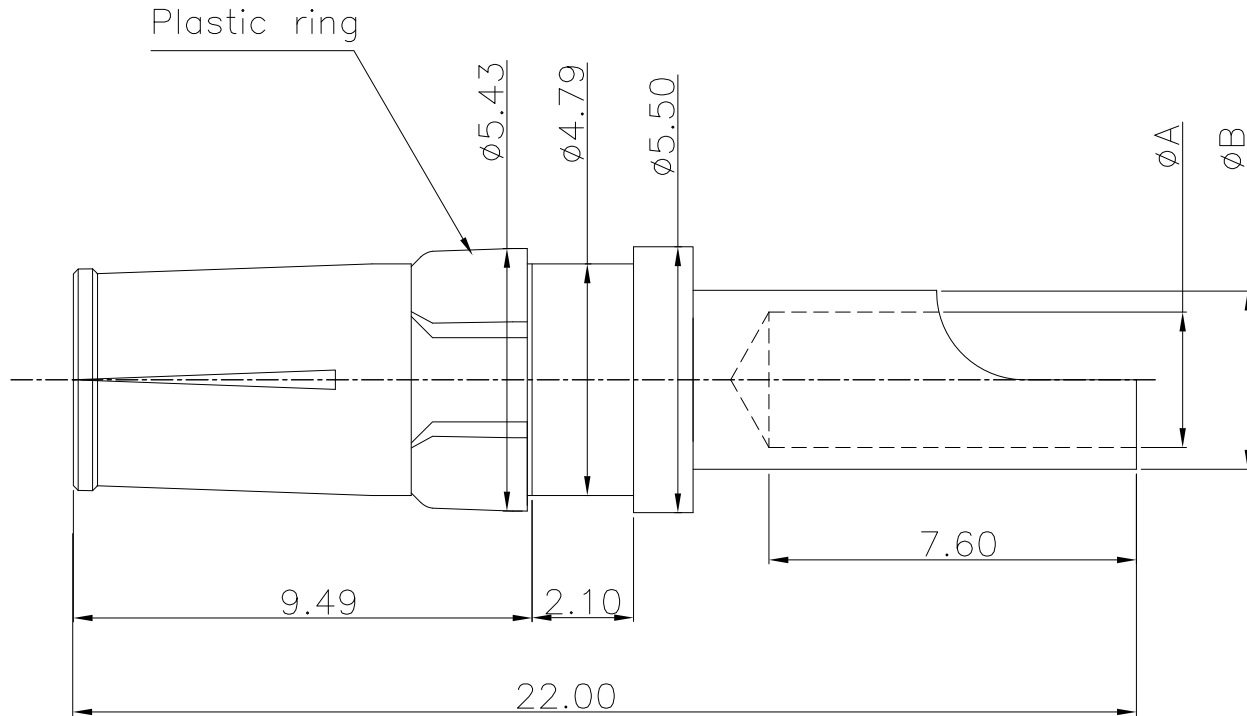


This document is the property of Amphenol Corporation and is delivered on the express condition that it is not to be disclosed, reproduced or used, in whole or in part, for manufacture or sale by anyone other than Amphenol Corporation without its prior consent, & that no right is granted to disclose or to use any information in this document.

Customer drawing

| REVISIONS | | | | |
|-----------|------|-----------------------|----------|----------|
| SYM | ECN | DESCRIPTION | DATE | APPROVED |
| 1 | HK-- | First Release Drawing | 06/10/08 | IP |
| 2 | HK-- | Update the Drawing | 04/25/18 | IP |



Notes:

- Material and finish
Body: phosphor bronze
15u" min gold plating over 50u" min nickel over all
Plastic ring: thermoplastic, color black.
- Technical characteristics
Peak voltage: 750V
Operating voltage: 500V
Temperature range: -55°C up to +125°C
Current capability see table
- No burs, no crack on the contact
- Insertion force: Max. 1kgf for Ø3.60
Withdrawal force: Min. 0.2kgf for Ø3.56



| Socket | Current | Dimensions | |
|-------------|--------------|--------------|--------------|
| | | A mm (inch) | B mm (inch) |
| L17DM537447 | 10 to 20 Amp | 1.80 (.071") | 2.55 (.100") |
| L17DM537446 | 20 to 30 Amp | 2.80 (.110") | 3.70 (.145") |
| L17DM537441 | 30 to 40 Amp | 4.80 (.189") | 5.60 (.220") |

| UNLESS OTHERWISE SPECIFIED TOLERANCES | | APPROVAL | | DATE |
|---------------------------------------|--------|-----------|---------|----------|
| U.S. | METRIC | DRAWN | Checked | |
| .X +/- | 0.30 | Victor.Li | | 04/25/18 |
| .XX +/- | 0.20 | | | |
| .XXX +/- | 0.10 | | | |
| FRACTIONS +/- | | | | |
| ANGLES +/- | 2' | | | |

| FOR MATERIALS AND FINISHES SEE NOTES | | DRAWING FILE : | |
|--------------------------------------|--|---------------------|--|
| REMOVE SHARP EDGES | | ANGLE OF PROJECTION | |
| DIMENSIONS | | | |
| U.S. INCHES | | | |
| METRIC MM | | | |

| TITLE | | SIZE | | DRAWING NO. | REV. |
|--|--|-------|--|-------------|--------------|
| Amphenol | | A4 | | L17DM53744X | 2 |
| Power female contact with plastic ring | | SCALE | | NONE | SHEET 1 OF 1 |