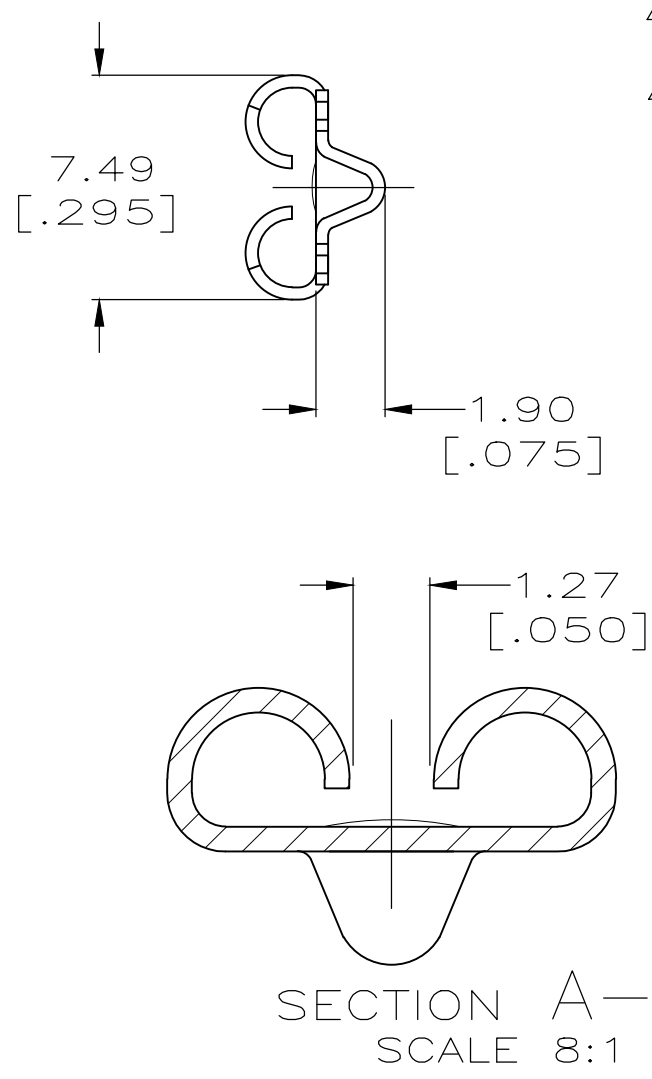
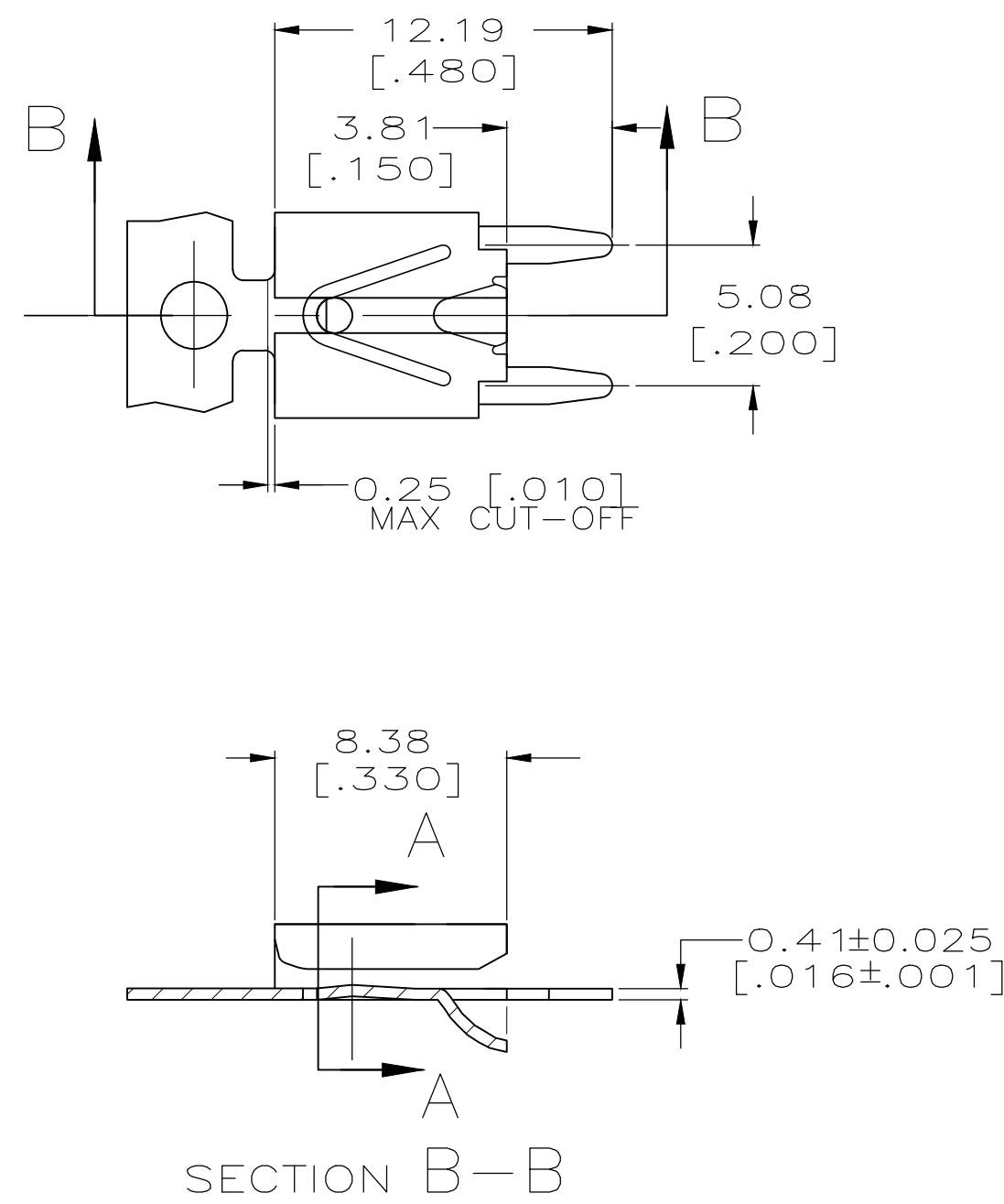
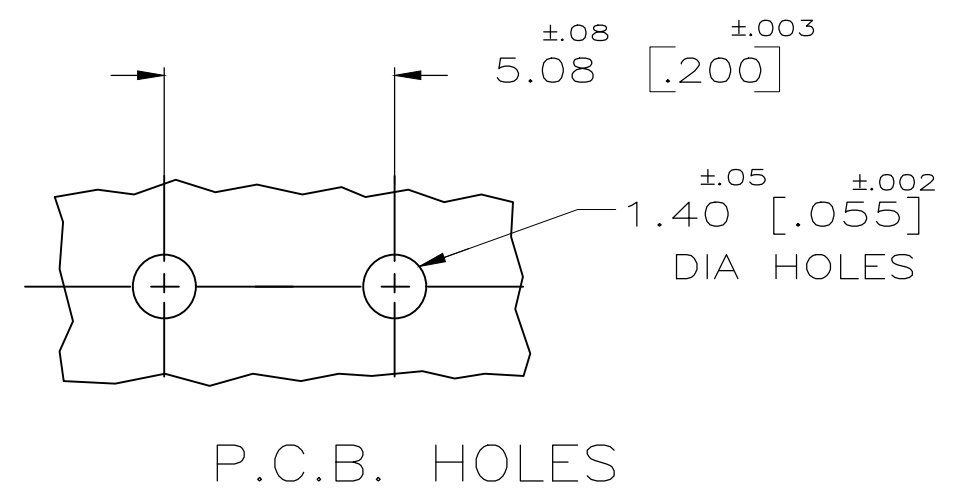


THIS DRAWING IS UNPUBLISHED. RELEASED FOR PUBLICATION
 © COPYRIGHT - By - ALL RIGHTS RESERVED.

REVISIONS					
P	LTR	DESCRIPTION	DATE	DWN	APVD
	F	REV PER ECO-19-015425	100CT2019	RS	DH



- 1 CONTINUOUS STRIP ON REELS.
- 2 0.00254 [.000100] MIN THK TIN OVER 0.00127 [.000050] MIN NICKEL
- 3 MATING TAB THK IS 0.635±0.025 [.025±.001].
- 4 REELED WITH INTERLEAVING
- 5 PRELIMINARY - NOT FOR PRODUCTION



SUPERSEDED BY -1	4	5	63994-2
	4		63994-1
PART NO.			

THIS DRAWING IS A CONTROLLED DOCUMENT.		DWN	JR RUTH	3/12/97	STE TE Connectivity			
DIMENSIONS: MM [INCHES]		CHK	MS FEHER	3/12/97				
TOLERANCES UNLESS OTHERWISE SPECIFIED:		APVD	DAVE BRATINA	3/12/97	RECEPTACLE, FASTON, 6.35/5.21 [.250/.205] SERIES, PC BOARD MOUNTED			
0 PLC ± - 1 PLC ± - 2 PLC ± 0.25 [.010] 3 PLC ± - 4 PLC ± - ANGLES ± -		PRODUCT SPEC	-					
MATERIAL		APPLICATION SPEC	-		SIZE	CAGE CODE	DRAWING NO	RESTRICTED TO
H04 BRASS		FINISH	TIN OVER NICKEL 2		WEIGHT	0.000000	A3 00779 C-63994	-
CUSTOMER DRAWING					SCALE	4:1	SHEET	1 OF 1
					REV	F		