

SACC-CIP-M8FS-4P SMD SH R32 - Flush-type connector



1412258

<https://www.phoenixcontact.com/us/products/1412258>

Please be informed that the data shown in this PDF document is generated from our Online Catalog. Please find the complete data in the user documentation. Our General Terms of Use for Downloads are valid.



Flush-type connector, 4-position, Socket, straight, M8, coding: A , PCB mounting, SMD, Alternative product in accordance with RoHS II without Exemption 6c (Pb <0.1%) item no.: 1308279

Your advantages

- Reduced mounting costs thanks to two-piece device connector
- Packaging available for automated pick and place assembly
- All common pin assignments and codings available
- Easy device integration thanks to mechanical port screw connections with threaded attachment, press-in contour or direct integration in the front plate
- Optional shield connection and seal for the device when not plugged in

Commercial Data

Item number	1412258
Packing unit	1 pc
Minimum order quantity	100 pc
Sales Key	AB22
Product Key	ABQBAK
GTIN	4046356989008
Weight per Piece (including packing)	5.26 g
Weight per Piece (excluding packing)	5.26 g
Customs tariff number	85366990
Country of origin	DE

SACC-CIP-M8FS-4P SMD SH R32 - Flush-type connector



1412258

<https://www.phoenixcontact.com/us/products/1412258>

Technical Data

Notes

General	The electrical and mechanical data specified assume that the connector pair is correctly locked and mounted. If the connector is unlocked and if there is a danger of contamination, the connector must be sealed using a protective cap > IP54. Influences arising from litz wires, cables or PCB assembly must also be taken into consideration.
---------	--

Product properties

Product type	Contact insert
Number of positions	4
Shielded	yes
Coding	A
Thread type	M8

Insulation characteristics

Overvoltage category	III
Degree of pollution	3

Electrical properties

Rated surge voltage	1.5 kV
Contact resistance	$\leq 3 \text{ m}\Omega$
Insulation resistance	$\geq 100 \text{ M}\Omega$
Nominal voltage U_N	48 V AC 60 V DC
Nominal current I_N	4 A

Material specifications

Flammability rating according to UL 94	V0
Seal material	FKM
Contact material	CuZn
Contact surface material	Au
Contact carrier material	PA

Connector

Connection 1

Head design	Socket
Head cable outlet	straight
Head thread type	M8
Coding	A

Mechanical properties

Mechanical data

SACC-CIP-M8FS-4P SMD SH R32 - Flush-type connector



1412258

<https://www.phoenixcontact.com/us/products/1412258>

Insertion/withdrawal cycles	> 100
-----------------------------	-------

Environmental and real-life conditions

Ambient conditions

Degree of protection (when plugged in)	IP67 (correctly plugged in and locked)
Degree of protection	IP67
Ambient temperature (operation)	-25 °C ... 105 °C
	-40 °C ... 105 °C (without mechanical actuation)

Standards and regulations

Standards/specifications	IEC 61076-2-104
--------------------------	-----------------

Mounting

Mounting type	PCB mounting
Connection method	SMD

SACC-CIP-M8FS-4P SMD SH R32 - Flush-type connector

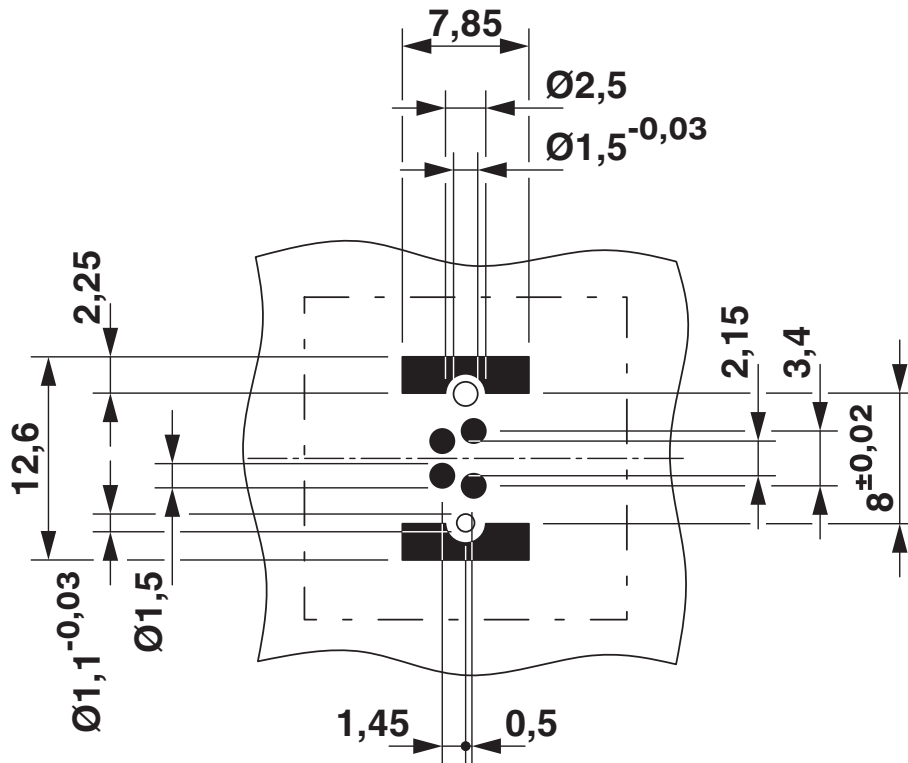


1412258

<https://www.phoenixcontact.com/us/products/1412258>

Drawings

Drilling plan/solder pad geometry



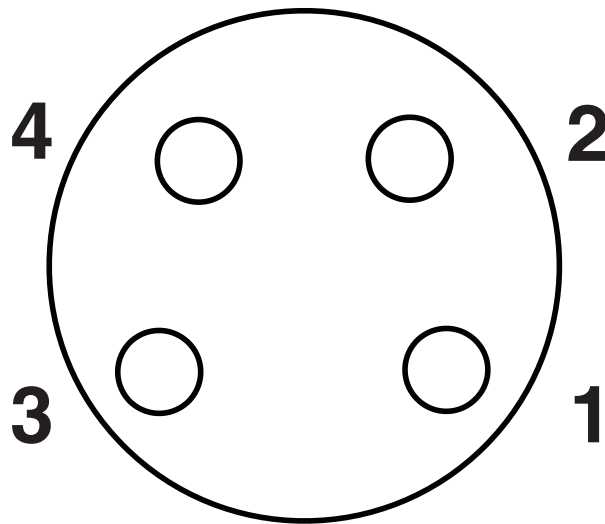
Drilling diagram

SACC-CIP-M8FS-4P SMD SH R32 - Flush-type connector

1412258

<https://www.phoenixcontact.com/us/products/1412258>

Schematic diagram



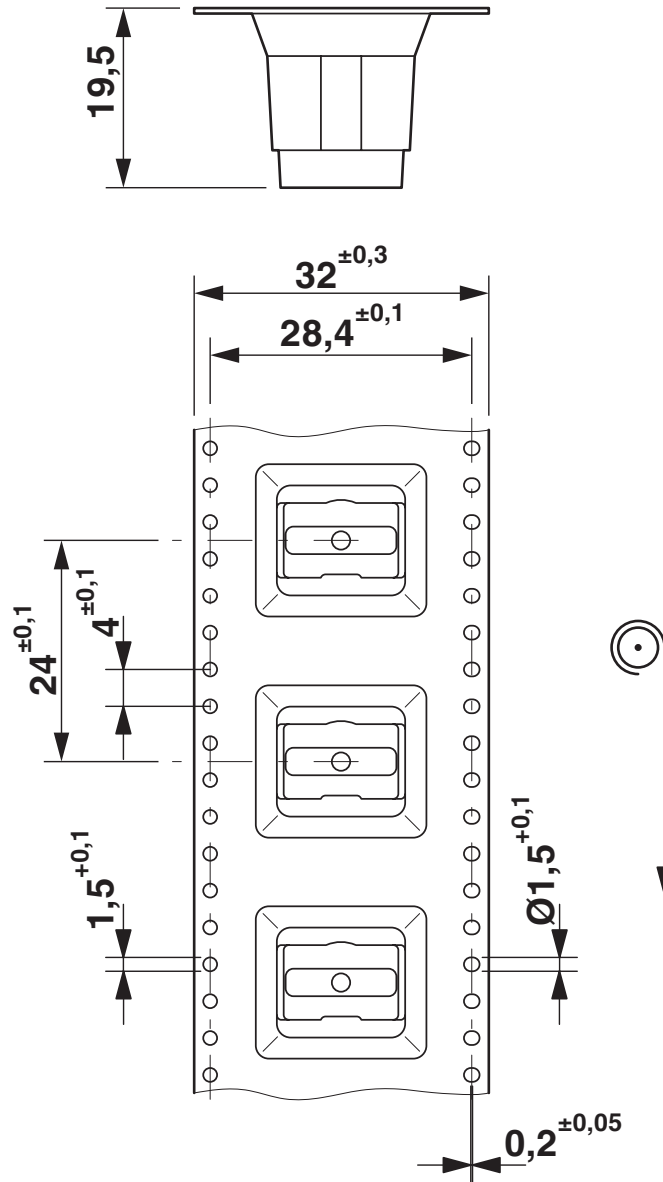
Pin assignment M8 socket, 4-pos., view female side

SACC-CIP-M8FS-4P SMD SH R32 - Flush-type connector

1412258

<https://www.phoenixcontact.com/us/products/1412258>

Dimensional drawing



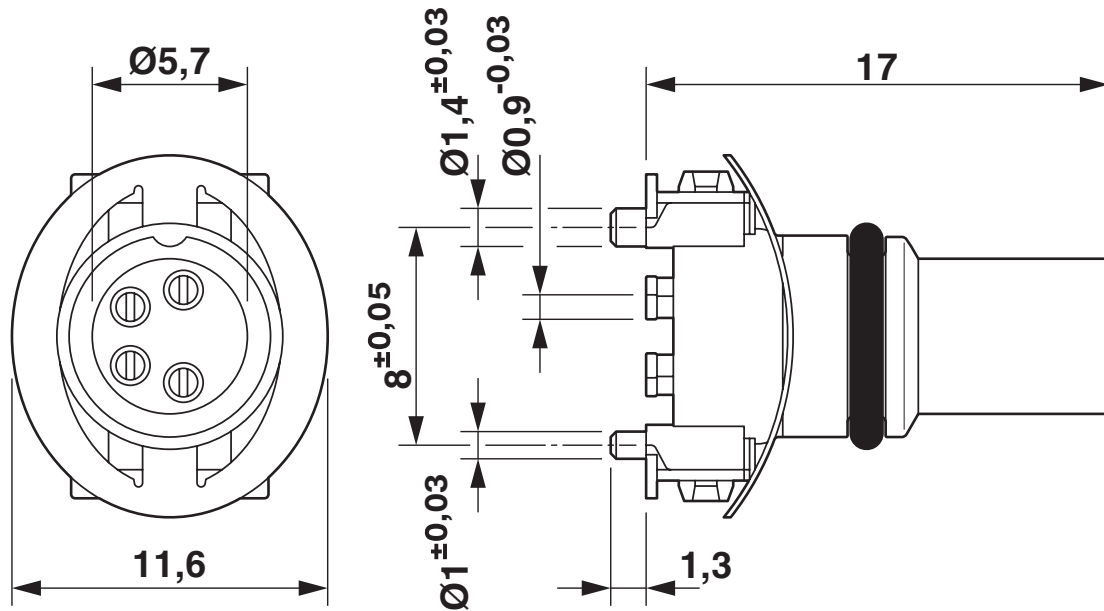
SMD tape-on-reel packing

SACC-CIP-M8FS-4P SMD SH R32 - Flush-type connector

1412258

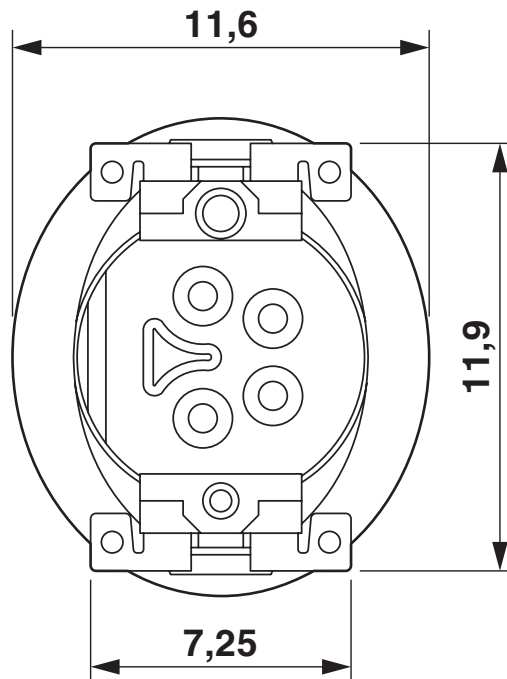
<https://www.phoenixcontact.com/us/products/1412258>

Dimensional drawing



Dimensional drawing

Dimensional drawing



View of solder side

SACC-CIP-M8FS-4P SMD SH R32 - Flush-type connector



1412258

<https://www.phoenixcontact.com/us/products/1412258>

Approvals



EAC

Approval ID: B.01687



cULus Recognized

Approval ID: E221474-20160506

	Nominal Voltage U_N	Nominal Current I_N	Cross Section AWG	Cross Section mm^2
	30 V	3 A	-	-

SACC-CIP-M8FS-4P SMD SH R32 - Flush-type connector



1412258

<https://www.phoenixcontact.com/us/products/1412258>

Classifications

ECLASS

ECLASS-11.0	27440102
ECLASS-12.0	27440116
ECLASS-13.0	27440116

ETIM

ETIM 8.0	EC002635
----------	----------

UNSPSC

UNSPSC 21.0	39121400
-------------	----------

SACC-CIP-M8FS-4P SMD SH R32 - Flush-type connector



1412258

<https://www.phoenixcontact.com/us/products/1412258>

Environmental Product Compliance

REACH SVHC	Lead 7439-92-1
China RoHS	Environmentally Friendly Use Period = 50 years
	For information on hazardous substances, refer to the manufacturer's declaration available under "Downloads"

SACC-CIP-M8FS-4P SMD SH R32 - Flush-type connector



1412258

<https://www.phoenixcontact.com/us/products/1412258>

Accessories

SACC-BP-F-M8/M12 SMD - Housing screw connection

1412506

<https://www.phoenixcontact.com/us/products/1412506>



Housing screw connection, M12, Rear mounting, Alternative product in accordance with RoHS II without Exemption 6c (Pb <0.1%) item no.: 1239003

SACC-FP-F-M8/M10 SMD - Housing screw connection

1412504

<https://www.phoenixcontact.com/us/products/1412504>



M8 female connector, front mounting SMD with M10 screw fastening

SACC-CIP-M8FS-4P SMD SH R32 - Flush-type connector



1412258

<https://www.phoenixcontact.com/us/products/1412258>

SACC-FP-F-M8/PRESS SMD - Housing screw connection

1412501

<https://www.phoenixcontact.com/us/products/1412501>



M8 socket, press-in mounting

Phoenix Contact 2023 © - all rights reserved

<https://www.phoenixcontact.com>

Phoenix Contact USA
586 Fulling Mill Road
Middletown, PA 17057, United States
(+717) 944-1300
info@phoenixcon.com