

D-SUB sleeve housings - CUC-DST-GZNI-A/DSSC9 - 1419723

Please be informed that the data shown in this PDF Document is generated from our Online Catalog. Please find the complete data in the user's documentation. Our General Terms of Use for Downloads are valid (<http://phoenixcontact.com/download>)



D-SUB sleeve housings, degree of protection: IP20, material: Zinc die-cast, cable outlet: angled, size of housing: 1, color: Bare metallic

Your advantages

- ✓ Easy to mount thanks to pre-assembled locking screws
- ✓ Angled conductor entry
- ✓ Antimagnetic metal sleeve housing
- ✓ Well-suited for harsh industrial conditions thanks to its metal design
- ✓ Particularly suitable for D-SUB connectors with special contacts thanks to large interior

Key Commercial Data

Packing unit	1 pc
GTIN	 4 055626 188027
GTIN	4055626188027
Weight per Piece (excluding packing)	44.400 g
Custom tariff number	85389099
Country of origin	Germany
Note	Made to Order (non-returnable)

Technical data

Mechanical characteristics

External cable diameter	3 mm ... 9.5 mm (Without bending protection)
Cable outlet	angled
Color	Bare metallic
Mounting type	Screw locking
Screw thread	4-40 UNC
Degree of protection	IP20
Type	D-SUB 9

D-SUB sleeve housings - CUC-DST-GZNI-A/DSSC9 - 1419723

Technical data

Mechanical characteristics

Size of housing	1
No. of cable outlets	1

Ambient conditions

Ambient temperature (operation)	-35 °C ... 100 °C
---------------------------------	-------------------

Material data

Flammability rating according to UL 94	V0
Housing material	Zinc die-cast
Housing surface material	Nickel-plated

Standards and Regulations

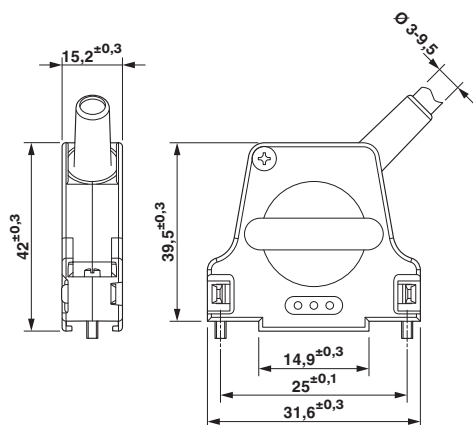
Flammability rating according to UL 94	V0
--	----

Environmental Product Compliance

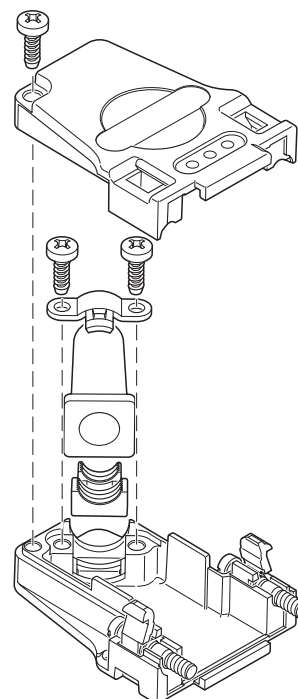
China RoHS	Environmentally friendly use period: unlimited = EFUP-e
	No hazardous substances above threshold values

Drawings

Dimensional drawing



Schematic diagram



D-SUB sleeve housings

D-SUB sleeve housings - CUC-DST-GZNI-A/DSSC9 - 1419723

Classifications

eCl@ss

eCl@ss 4.0	27140816
eCl@ss 4.1	27260701
eCl@ss 5.0	27260701
eCl@ss 5.1	27261200
eCl@ss 6.0	27261200
eCl@ss 7.0	27440302
eCl@ss 8.0	27440302
eCl@ss 9.0	27440302

ETIM

ETIM 2.0	EC000437
ETIM 3.0	EC000437
ETIM 4.0	EC000437
ETIM 5.0	EC001132
ETIM 6.0	EC001132

UNSPSC

UNSPSC 6.01	31261501
UNSPSC 7.0901	31261501
UNSPSC 11	31261501
UNSPSC 12.01	31261501
UNSPSC 13.2	39121522

Approvals

Approvals

Approvals

EAC

Ex Approvals

Approval details

EAC		B.01742
-----	--	---------

Accessories

Accessories

D-SUB sleeve housings - CUC-DST-GZNI-A/DSSC9 - 1419723

Accessories

Female insert

Contact insert - VS-09-BU-DSUB-EG - 1688803



D-SUB contact insert, shell size 1, with nine signal contacts, type of contact socket, with solder cup, straight, fixing with a 3 mm hole, for panel mounting frame and sleeve housing VS-09-...

D-SUB contact insert - VS-09-BU-DSUB-HD-EG - 1655108



D-SUB contact insert, shell size 1, with 15 signal contacts, type of contact socket, with solder cup, straight, fixing with a 3 mm hole, for panel mounting frame VS-09-...

D-SUB contact support - VS-09-BU-DSUB-CD-B - 1688861



D-SUB contact carrier, shell size 1, for nine signal contacts, type of contact socket, for crimp contacts, straight, fixing with a 3 mm hole, for panel mounting frame and sleeve housing VS-09-...

D-SUB contact support - VS-09-BU-DSUB-HD-CD-B - 1655124



D-SUB contact carrier, shell size 1, for 15 signal contacts, type of contact socket, for crimp contacts, straight, fixing with a 3 mm hole, for panel mounting frame and sleeve housing VS-09-...

D-SUB contact support - VS-09-BU-DSUB-2P - 1688421



D-SUB contact carrier, shell size 1, accommodation for two combined contacts, type of contact socket, straight, fixing with a 3 mm hole, for panel mounting frame and sleeve housing VS-09-...

D-SUB sleeve housings - CUC-DST-GZNI-A/DSSC9 - 1419723

Accessories

D-SUB combination contact insert - VS-09-BU-DSUB-1P-4S - 1689019



D-SUB contact insert, shell size 1, with four signal contacts with solder cup, straight, accommodation for one combined contact, type of contact socket, fixing with a 3 mm hole, for panel mounting frame and sleeve housing VS-09-...

Male insert

Contact insert - VS-09-ST-DSUB-EG - 1688793



D-SUB contact insert, shell size 1, with nine signal contacts, type of contact pin, with solder cup, straight, fixing with a 3 mm hole, for panel mounting frame and sleeve housing VS-09-...

D-SUB contact insert - VS-09-ST-DSUB-HD-EG - 1655111



D-SUB contact insert, shell size 1, with 15 signal contacts, type of contact pin, with solder cup, straight, fixing with a 3 mm hole, for panel mounting frame VS-09-...

D-SUB contact support - VS-09-ST-DSUB-CD-B - 1688858



D-SUB contact carrier, shell size 1, for nine signal contacts, type of contact pin, for crimp contacts, straight, fixing with 3 mm hole, for panel mounting frame and sleeve housing VS-09-...

D-SUB contact support - VS-09-ST-DSUB-HD-CD-B - 1655137



D-SUB contact carrier, shell size 1, for 15 signal contacts, type of contact pin, for crimp contacts, straight, fixing with a 3 mm hole, for panel mounting frame and sleeve housing VS-09-...

D-SUB sleeve housings - CUC-DST-GZNI-A/DSSC9 - 1419723

Accessories

D-SUB contact support - VS-09-ST-DSUB-2P - 1688418



D-SUB contact carrier, shell size 1, accommodation for two combined contacts, type of contact pin, straight, fixing with a 3 mm hole, for panel mounting frame and sleeve housing VS-09-...

D-SUB combination contact insert - VS-09-ST-DSUB-1P-4S - 1689006



D-SUB contact insert, shell size 1, with four signal contacts with solder cup, straight, accommodation for one combined contact, type of contact pin, fixing with a 3 mm hole, for panel mounting frame and sleeve housing VS-09-...