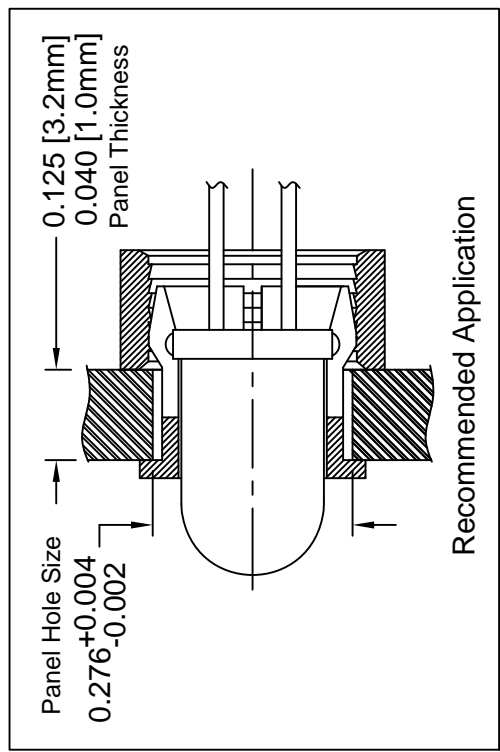
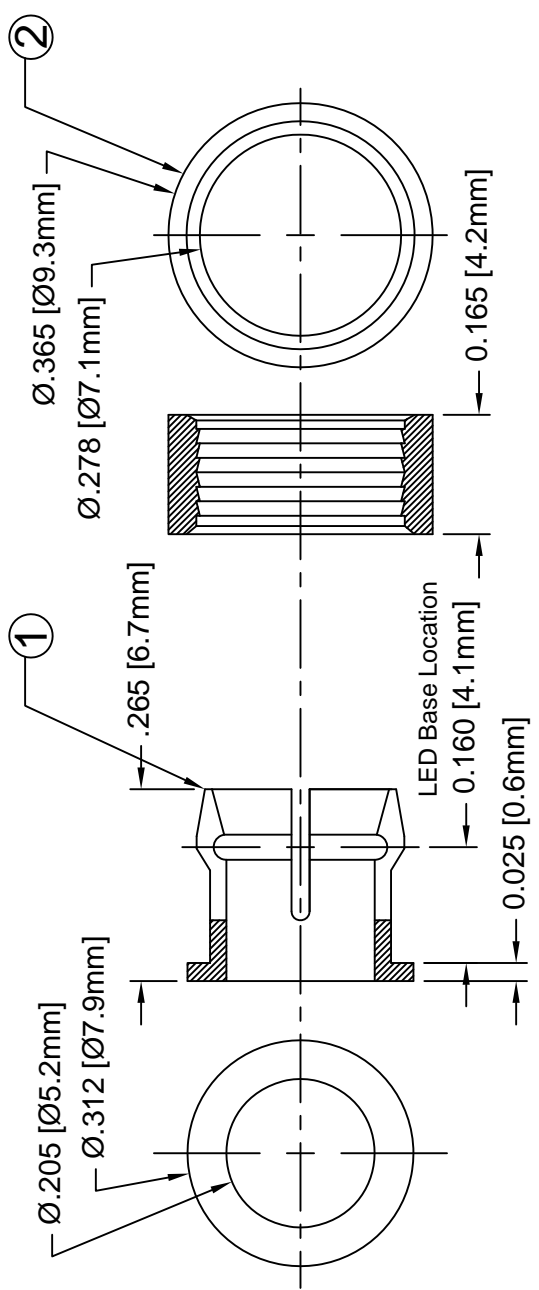


REV.	DESCRIPTION	DATE	APPROVED
C	Engineering Update w/o Changes	02/26/04	M. C.
D	Remove Material Code	05/28/16	J. C.

ITEM	QTY	PART NUMBER	PART DESCRIPTION
1	1	C-175	T-1¼ (5mm) LED CLIP
2	1	R-175	T-1¼ (5mm) LED RING



STANDARD TOLERANCE (UNLESS OTHERWISE SPECIFIED)	REVISION:
DECIMALS	DATE: 11/18/98
.X ±.1	DESIGNED: S. Irving
.XX ±.01	CHECKED: M. Chen
.XXX ±.005	DATE: 01/09/02
ANGULAR	DATE: 11/18/98
X° ±1°	DESIGNED: S. Irving
	CHECKED: M. Chen
	DATE: 01/09/02
	DESIGNED: S. Irving
	CHECKED: M. Chen
	DATE: 01/09/02
	DESIGNED: S. Irving
	CHECKED: M. Chen
	DATE: 01/09/02
	DESIGNED: S. Irving
	CHECKED: M. Chen
	DATE: 01/09/02

STANDARD TOLERANCE (UNLESS OTHERWISE SPECIFIED)	REVISION:
DECIMALS	DATE: 11/18/98
.X ±.1	DESIGNED: S. Irving
.XX ±.01	CHECKED: M. Chen
.XXX ±.005	DATE: 01/09/02
ANGULAR	DATE: 11/18/98
X° ±1°	DESIGNED: S. Irving
	CHECKED: M. Chen
	DATE: 01/09/02
	DESIGNED: S. Irving
	CHECKED: M. Chen
	DATE: 01/09/02
	DESIGNED: S. Irving
	CHECKED: M. Chen
	DATE: 01/09/02

STANDARD TOLERANCE (UNLESS OTHERWISE SPECIFIED)	REVISION:
DECIMALS	DATE: 11/18/98
.X ±.1	DESIGNED: S. Irving
.XX ±.01	CHECKED: M. Chen
.XXX ±.005	DATE: 01/09/02
ANGULAR	DATE: 11/18/98
X° ±1°	DESIGNED: S. Irving
	CHECKED: M. Chen
	DATE: 01/09/02
	DESIGNED: S. Irving
	CHECKED: M. Chen
	DATE: 01/09/02

2. MATERIAL: NYLON 6/6, 94V-0, BLACK.
1. GENERAL SPECIFICATIONS: BIVAR MOLDED COMPONENT SPECIFICATION BV00-E101.

BIVAR[®]
4 THOMAS, IRVINE, CA. 92618
TEL: (949) 951-8808 FAX: (949) 951-3974
TITLE: CLIP & RING SET FOR SMALL FLANGE T-1¼ (5mm) LED
PART NO: CR-175
CAGE CODE: 32559
SHEET # 1 **OF** 1
CAD GENERATED DOCUMENT. DO NOT MEASURE DRAWING.