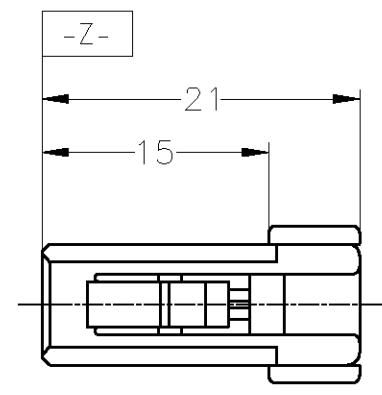
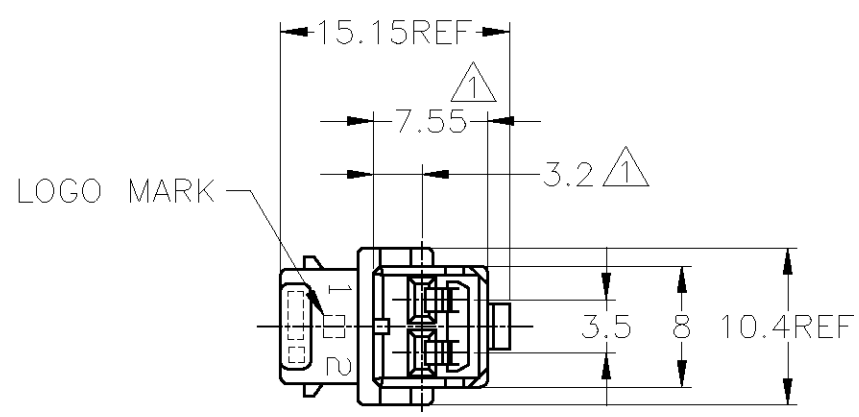


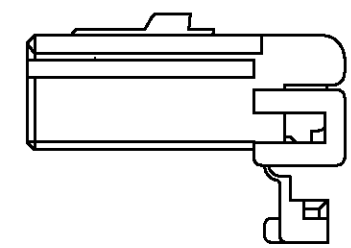
THIS DRAWING IS UNPUBLISHED. RELEASED FOR PUBLICATION
 © COPYRIGHT - By - ALL RIGHTS RESERVED.

LOC	DIST	REVISIONS 変更			
P	LTR	DESCRIPTION	DATE	DWN	APVD
J	-	G3 REVISED	ECR-12-021403	12DEC2012	TS KB



- ① MUST BE KEPT BETWEEN [-Z-] AND 2
- 2. APPLIED RECEPTACLE CONTACT PART NUMBER ; 173631, 173630.
- 3. APPLIED CAP HOUSING PART NUMBER ; 174460

- ① [-Z-] 面より 2mm の範囲で測定
- 2. 内装するリセプタクルコンタクト型番 : 173631, 173630
- 3. 嵌合相手ハウジング型番 : 174460



黄 (YELLOW)	174463-7
灰 (GRAY)	174463-6
青 (BLUE)	174463-5
黒 (BLACK)	174463-2
自然色 (NATURAL)	174463-1
色 (COLOR)	型番 (PART NUMBER)

TOLERANCES UNLESS OTHERWISE SPECIFIED:
一般公差

10 _μ	: ±0.2
30 _μ	> 10 : ±0.25
100 _μ	> 30 : ±0.3
ANGLE	: ±3°

THIS DRAWING IS A CONTROLLED DOCUMENT.

DIMENSIONS: 単位: 耗 mm	TOLERANCES UNLESS OTHERWISE SPECIFIED: 一般公差
	0 PLC ± -
	1 PLC ± -
	2 PLC ± -
	3 PLC ± -
	4 PLC ± -
ANGLES ± -	± -
MATERIAL 材料 PBT	FINISH 仕上 -

DWN	M.SUGAWARA	25OCT06
CHK	K.BETSUI	25OCT06
APVD	K.BETSUI	25OCT06
PRODUCT SPEC	製品規格 108-5264	
APPLICATION SPEC	取付適用規格	
WEIGHT	-	

STE TE Connectivity			
NAME 名称 070 SERIES MULTI-LOCK CONNECTOR 2POSITION PLUG HOUSING (WIRE TO WIRE)			
SIZE	CAGE CODE	DRAWING NO 番号	RESTRICTED TO
A3	00779	C-174463	-
CUSTOMER DRAWING		SCALE 尺度 2:1	SHEET 1 OF 1
		REV G3	