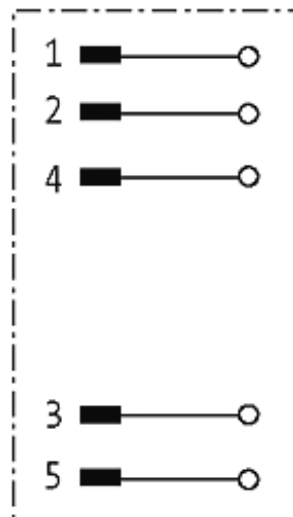
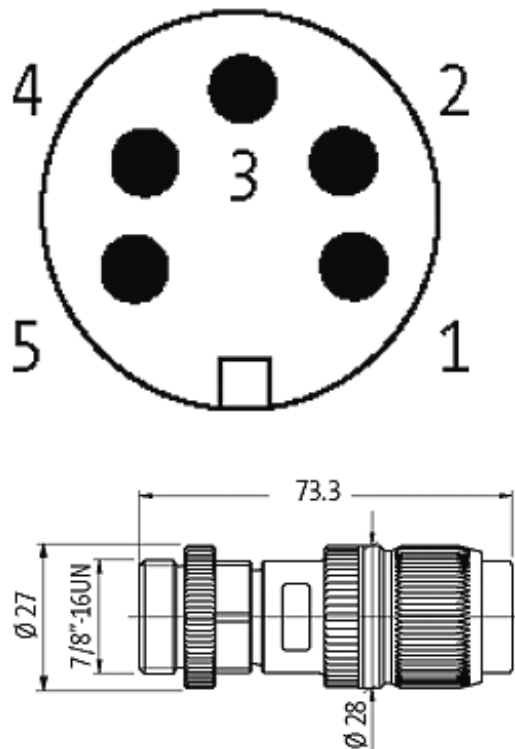


MOSA 7/8" MALE 0° FIELD-WIREABLE (IDC)5-pol., 0,75-1,50mm²

Plastic housings with good resistance against chemicals and oils. The resistance to aggressive media should be individually tested for your application. Further details on request.

[Link to Product](#)**Illustration**

Male



Product may differ from Image

Form

Form 78091

Technical Data

Operating voltage	max. 230/400 V AC/DC
Rated surge voltage	4 kV
Operating current per contact	max. 10 A
Material group	IEC 60664-1, category I
Connection cross section	0.75...1.5 mm ² (conductor diameter min. 0.15 mm)
Coding	A-coded, 5-pole
Sealing range (cable Ø)	6.8...9.5 mm
Wire isolation	PVC, PP, TPE
Outer wire Ø	max. 2.8 mm
Locking of ports	Screw thread 7/8" (recommended torque 1.5 Nm) self-securing
Protection	IP65 and IP67 when plugged and screwed down (EN 60529)
Locking material	Brass

General data

Pollution Degree	3
Temperature range	-40...+85 °C

Commercial data

country of origin	DE
-------------------	----

customs tariff number	85366990
EAN	4048879134774
eClass	27279221
minimum order quantity	1