

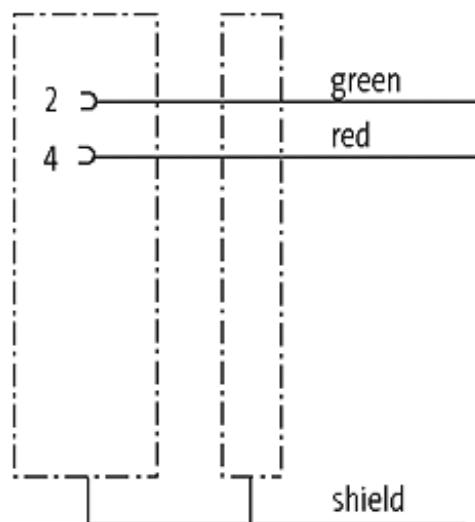
M12 FEMALE 0° B CODED SHIELDED WIREABLE SCREW TERM.2 POLE max. 0.75mm² 6-8mm PROFIBUS

M12

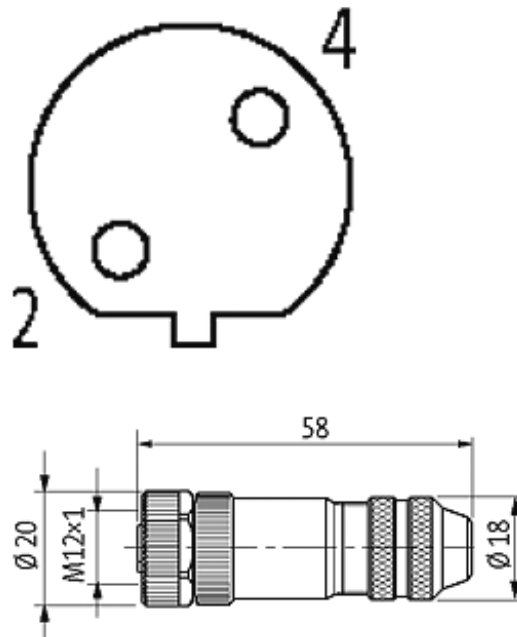
Female straight

Field wireable (screw terminals)

B-coded, 2-pole, shielded

[Link to Product](#)**Illustration**

Female



Product may differ from Image

Form

Form 14025

Technical Data

Operating voltage	max. 125 V AC/DC
Operating current per contact	max. 4 A
Connection cross section	max. 0.75 mm ²
Sealing range (cable Ø)	6...8 mm
Housing	CuZn, nickel plated
Protection	IP67 inserted and tightened (EN 60529)

General data

Temperature range -25...+85 °C

Commercial data

country of origin	DE
customs tariff number	85369010
minimum order quantity	1