

REV  
B 1011-~~277~~<sup>278</sup>-\*\*05

REVISIONS			
SYM	DESCRIPTION	DATE	APPROVED
NC	NEW RELEASE PER E.O. P19536	5/17/07	R.D.R.
A	REVISED PER E.O. P19870	6/12/08	R.D.R.
B	REVISED PER E.O. P21463	11/28/12	DM

**BACKSHELL DIMENSION TABLE**

CONNECTOR	OUTLET	STRAIN RELIEF	ENVELOPE DIMENSIONS				PART NO.
			A	B	L	H	
DT04-2P	180°	X	.709 [18.0]	.650 [16.5]	2.154 [54.7]	--	1011-257-0205
	180°		.709 [18.0]	.650 [16.5]	2.154 [54.7]	--	1011-229-0205
	90°	X	.693 [17.6]	.630 [16.0]	1.575 [40.0]	1.429 [36.3]	1011-258-0205
	90°		.693 [17.6]	.630 [16.0]	1.575 [40.0]	1.429 [36.3]	1011-230-0205
DT06-2S	180°	X	.531 [13.5]	.630 [16.0]	1.772 [45.0]	--	1011-255-0205
	180°		.531 [13.5]	.630 [16.0]	1.772 [45.0]	--	1011-227-0205
	90°	X	.531 [13.5]	.630 [16.0]	1.201 [30.5]	1.457 [37.0]	1011-256-0205
	90°		.531 [13.5]	.630 [16.0]	1.201 [30.5]	1.457 [37.0]	1011-228-0205
DT04-3P	180°	X	.984 [25.0]	.906 [23.0]	2.520 [64.0]	--	1011-261-0305
	180°		.984 [25.0]	.906 [23.0]	2.520 [64.0]	--	1011-233-0305
	90°	X	.984 [25.0]	.906 [23.0]	1.732 [44.0]	1.890 [48.0]	1011-262-0305
	90°		.984 [25.0]	.906 [23.0]	1.732 [44.0]	1.890 [48.0]	1011-234-0305
DT06-3S	180°	X	.827 [21.0]	.906 [23.0]	2.204 [56.0]	--	1011-259-0305
	180°		.827 [21.0]	.906 [23.0]	2.204 [56.0]	--	1011-231-0305
	90°	X	.827 [21.0]	.906 [23.0]	1.417 [36.0]	1.890 [48.0]	1011-260-0305
	90°		.827 [21.0]	.906 [23.0]	1.417 [36.0]	1.890 [48.0]	1011-232-0305
DT04-4P	180°	X	.866 [22.0]	.866 [22.0]	2.343 [59.5]	--	1011-265-0405
	180°		.866 [22.0]	.866 [22.0]	2.343 [59.5]	--	1011-237-0405
	90°	X	.866 [22.0]	.866 [22.0]	1.693 [43.0]	1.772 [45.0]	1011-266-0405
	90°		.866 [22.0]	.866 [22.0]	1.693 [43.0]	1.772 [45.0]	1011-238-0405


CONNECTOR	OUTLET	STRAIN RELIEF	ENVELOPE DIMENSIONS				PART NO.
			A	B	L	H	
DT06-4S	180°	X	.768 [19.5]	.866 [22.0]	2.067 [52.5]	--	1011-263-0405
	180°		.768 [19.5]	.866 [22.0]	2.067 [52.5]	--	1011-235-0405
	90°	X	.787 [20.0]	.866 [22.0]	1.339 [34.0]	1.772 [45.0]	1011-264-0405
	90°		.787 [20.0]	.866 [22.0]	1.339 [34.0]	1.772 [45.0]	1011-236-0405
DT04-6P	180°	X	1.024 [26.0]	.866 [22.0]	2.531 [64.3]	--	1011-269-0605
	180°		1.024 [26.0]	.866 [22.0]	2.531 [64.3]	--	1011-241-0605
	90°	X	1.063 [27.0]	.866 [22.0]	1.693 [43.0]	2.008 [51.0]	1011-270-0605
	90°		1.063 [27.0]	.866 [22.0]	1.693 [43.0]	2.008 [51.0]	1011-242-0605
DT06-6S	180°	X	.945 [24.0]	.866 [22.0]	2.087 [53.0]	--	1011-267-0605
	180°		.945 [24.0]	.866 [22.0]	2.087 [53.0]	--	1011-239-0605
	90°	X	.945 [24.0]	.866 [22.0]	1.378 [35.0]	2.008 [51.0]	1011-268-0605
	90°		.945 [24.0]	.866 [22.0]	1.378 [35.0]	2.008 [51.0]	1011-240-0605
DT04-8P	180°		1.083 [27.5]	1.118 [28.4]	2.417 [61.4]	--	1011-245-0805
	90°		1.083 [27.5]	1.118 [28.4]	1.850 [47.0]	1.988 [50.5]	1011-246-0805
DT06-8S	180°		.972 [24.7]	1.122 [28.5]	1.988 [50.5]	--	1011-243-0805
	90°		.965 [24.5]	1.122 [28.5]	1.437 [36.5]	1.968 [50.0]	1011-244-0805
DT04-12P	180°		1.024 [26.0]	1.398 [35.5]	2.500 [63.5]	--	1011-249-1205
	90°		1.024 [26.0]	1.417 [36.0]	2.106 [53.5]	1.988 [50.5]	1011-250-1205
DT06-12S	180°		.925 [23.5]	1.417 [36.0]	2.031 [51.6]	--	1011-247-1205
	90°		.906 [23.0]	1.417 [36.0]	1.417 [36.0]	1.988 [50.5]	1011-248-1205

4. MATERIAL: PLASTIC; COLOR: BLACK
3. THESE PARTS ACCOMODATE CORRUGATED TUBING OF THE FOLLOWING SIZES:  
FOR 2, 3, & 4 PIN - 6, 7.5, 8.5, & 10 mm;  
FOR 6 & 8 PIN - 8.5, 10, & 13 mm; FOR 12 PIN - 10, 13, & 17 mm.
2. THESE PARTS MATE WITH DT CONNECTORS WITH ANY MODIFICATION THAT DOES NOT INCLUDE AN END CAP.
1. ALL DIMENSINS ARE IN INCHES [MILLIMETERS] AND ARE ±.025 [0.63] UNLESS OTHERWISE SPECIFIED.

SIGNATURE & DATE	
DR	A. MALAGON 11MAY07
CHK	A. Malagon 11/7/12
PE	R. Menzies 11/7/12
APPD	D. Meuser 11/28/12
SCALE	NONE WT

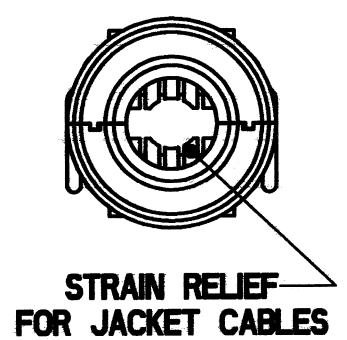
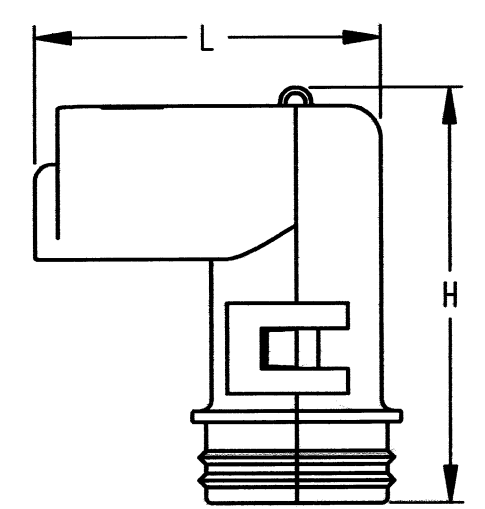
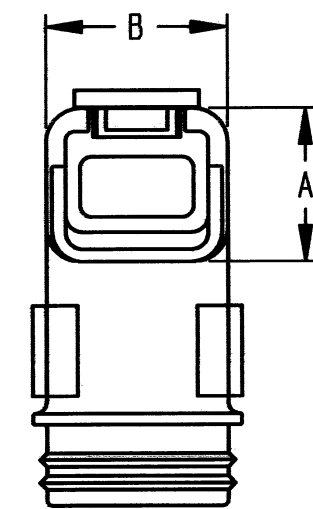
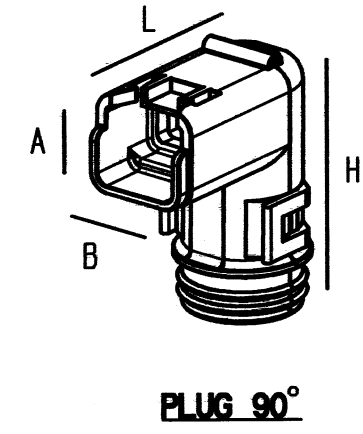
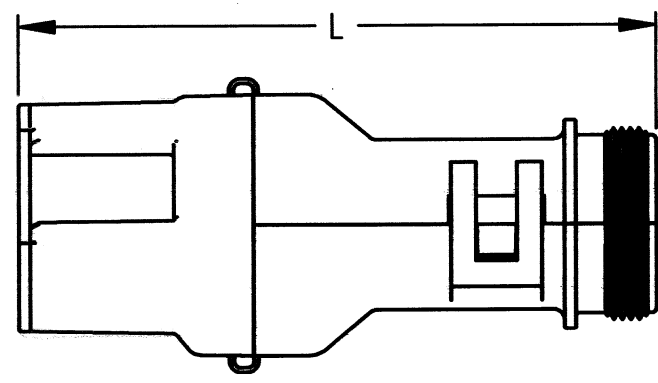
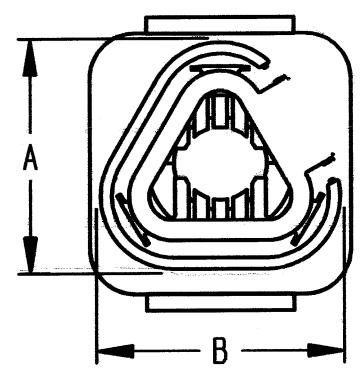
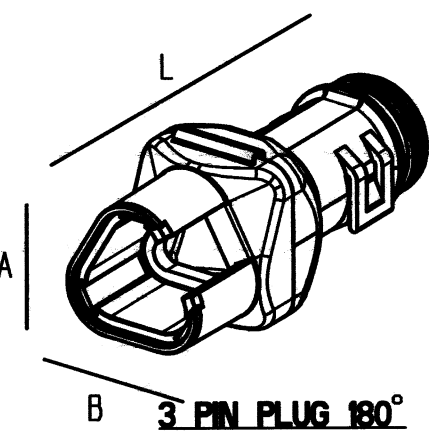
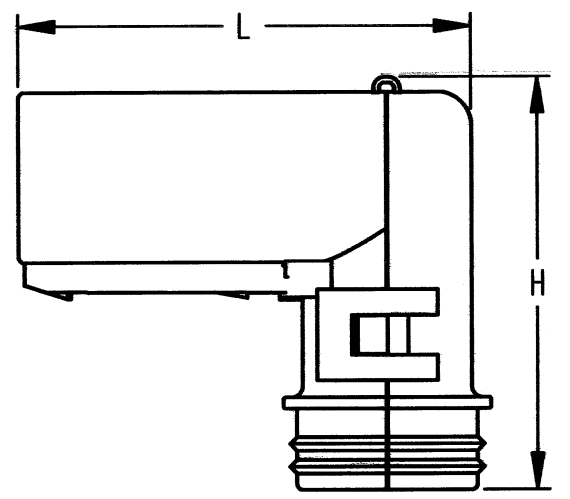
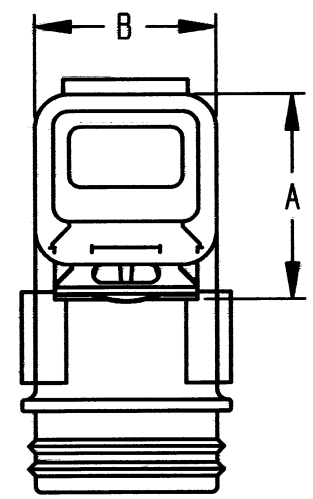
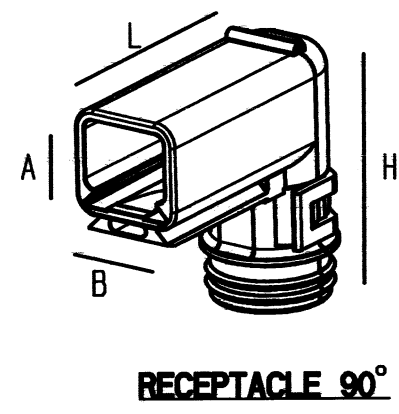
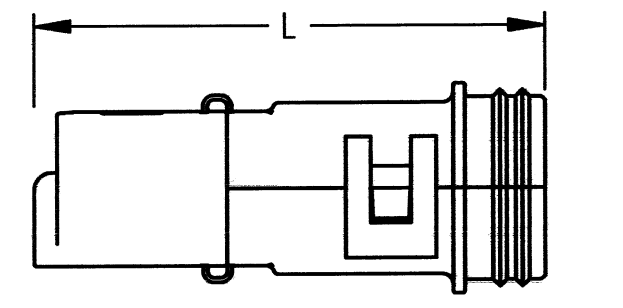
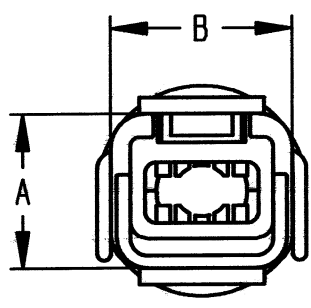
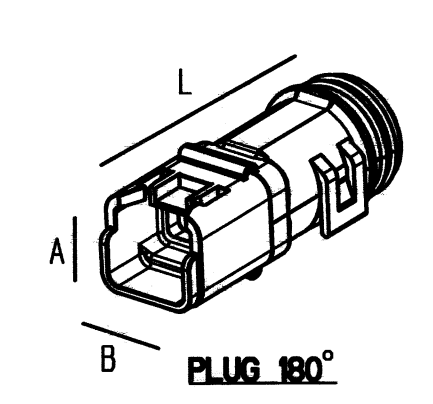
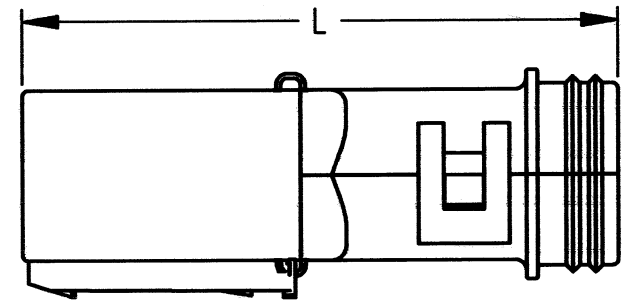
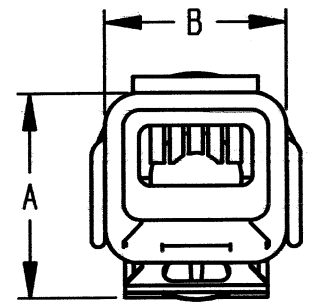
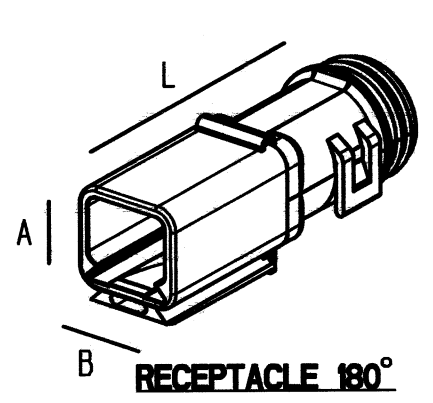
2-12 WAY RECEPTACLE/PLUG  
BACKSHELLS  
W/ & W/O STRAIN RELIEF  
DT SERIES

ENVELOPE

EP	MATL. CODE
 3850 INDUSTRIAL AVE. HEMET, CA 92545	
<b>B</b>	<b>1011-<del>277</del><sup>278</sup>-**05</b>
DWG SIZE	CODE 11139 SHEET 1 OF 2

REV  
B 1011-~~377~~-\*\*05

REVISIONS			
SYM	DESCRIPTION	DATE	APPROVED
B	SEE SHEET #1	11/28/12	Dm



NOTES: SEE SHEET #1.

SIGNATURE & DATE	
DR	A. MALAGON 11/MAY07
CHK	A.M. 11/9/12
PE	A. M... 11/7/12
APPD	D... 11/28/12
SCALE	NONE WT

2-12 WAY RECEPTACLE/PLUG BACKSHELLS  
W/ & W/O STRAIN RELIEF  
DT SERIES

ENVELOPE

EP	MATL. CODE
3850 INDUSTRIAL AVE. HEMET, CA 92545	
<b>B</b>	<b>1011-<del>377</del>-**05</b>
DWG SIZE	CODE 11139 SHEET 2 OF 2

# Mouser Electronics

Authorized Distributor

Click to View Pricing, Inventory, Delivery & Lifecycle Information:

[TE Connectivity:](#)

[1011-265-0405](#)