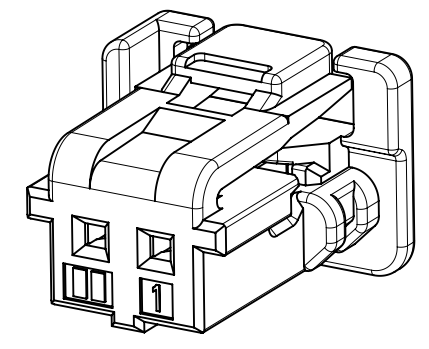
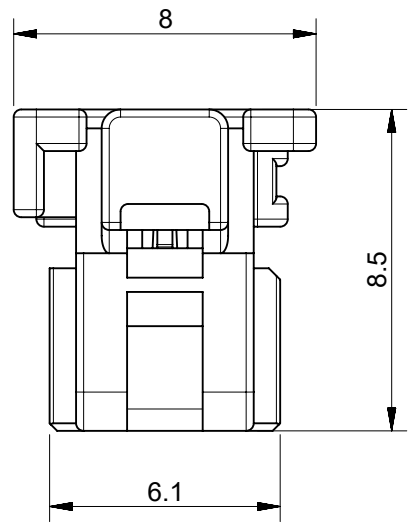
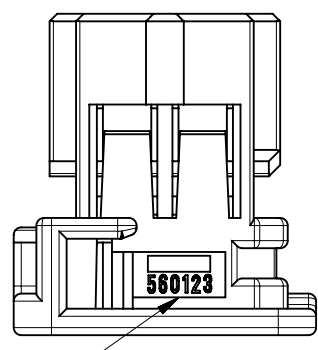
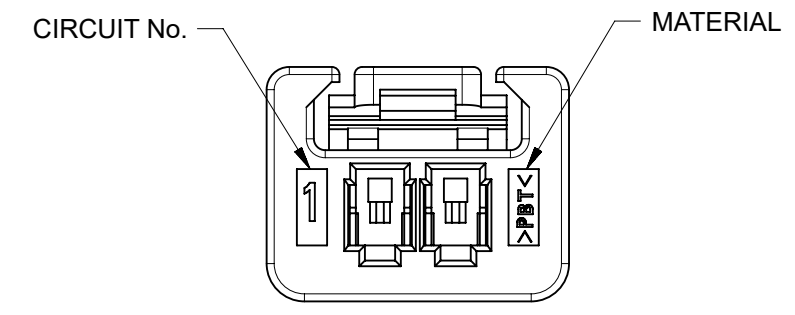
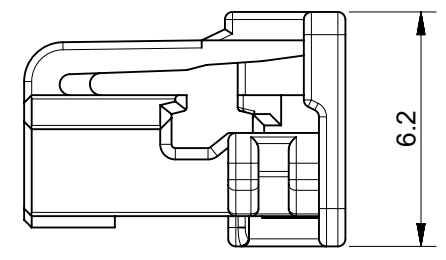
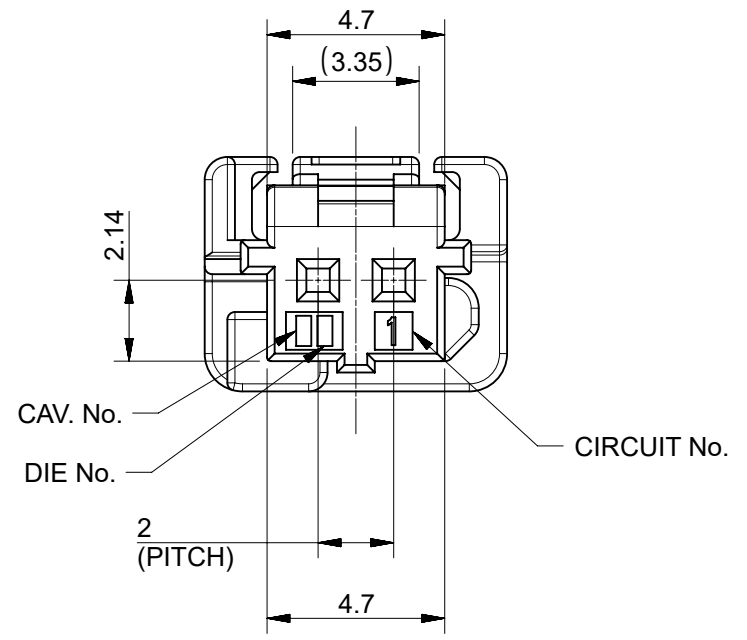


GENERAL TOLERANCE										USED ON
10 MAX	30 MAX	50 MAX	70 MAX	100 MAX	120 MAX	250 MAX	250 OVER	ANGLE	ECCENT	
±0.15	±0.20	±0.30	±0.40	±0.50	±0.75	±0.90	±1.4	±0.5°	0.1	



ISO VIEW



SERIES No.
FACTORY CODE

PENDING APPROVAL

- NOTES:
1. MATERIALS : POLYESTER (PBT), GLASS UNFILLED, UL 94V-0
 2. MATE WITH : 502352, 560020 SERIES
 3. APPLICABLE TERMINAL : 560124 SERIES
 4. APPLICABLE ISL : 560125 SERIES
 5. GENERAL TOLERANCE : SEE TABLE
 6. EVL AND RoHS COMPLIANT
 7. PRODUCT SPECIFICATION : PS-560123-001,002,003
 8. PACKING SPECIFICATION : PK-560123-001

ORDER NO.	MATERIAL NO.	COLOR
560123-0200	5601230200	WHITE
560123-0201	5601230201	BLACK
560123-0202	5601230202	RED
560123-0204	5601230204	BLUE

THIS DRAWING CONTAINS INFORMATION THAT IS PROPRIETARY TO MOLEX ELECTRONIC TECHNOLOGIES, LLC AND SHOULD NOT BE USED WITHOUT WRITTEN PERMISSION										
SYMBOLS		DIMENSION UNITS		SCALE		CURRENT REV DESC:				
▽ = 0	mm	5:1		EC NO: 629104						
▽ = 0	GENERAL TOLERANCES (UNLESS SPECIFIED)			DRWN: SAKIM 2019/12/05						
▽ = 0	ANGULAR TOL ± °			CHK'D:						
▽ = 0	4 PLACES ±			APPR:						
▽ = 0	3 PLACES ±			INITIAL REVISION:						
▽ = 0	2 PLACES ±			DRWN: YIBAEK 2014/07/03						
▽ = 0	1 PLACE ±			APPR: SRTAK 2014/08/26						
▽ = 0	0 PLACES ±			DRAFT WHERE APPLICABLE MUST REMAIN WITHIN DIMENSIONS		THIRD ANGLE PROJECTION		DRAWING		
▽ = 0	A3-SIZE		SERIES		MATERIAL NUMBER		CUSTOMER		SHEET NUMBER	
		560123		SD-560123-001		GENERAL MARKET		1 OF 1		

molex		
NEW 2.0 PITCH W/B CONN. REC. 2WAY HSG DURACLIC ISL SERIES		
PRODUCT CUSTOMER DRAWING		
DOCUMENT NUMBER	DOC TYPE	DOC PART
SD-560123-001	PSD	001
REVISION		C1

DOCUMENT STATUS	RQ	RELEASE DATE
-----------------	----	--------------