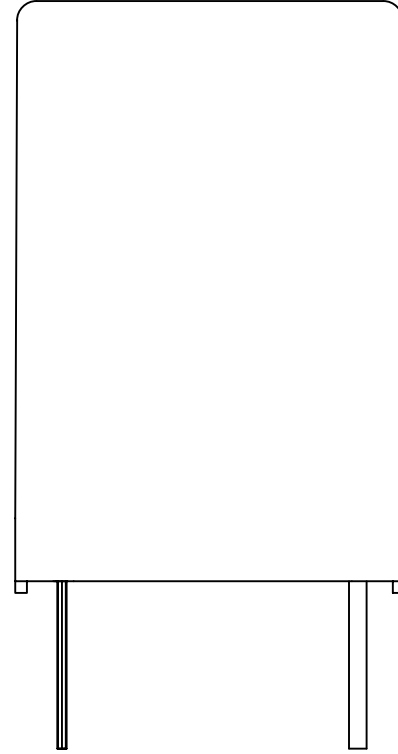
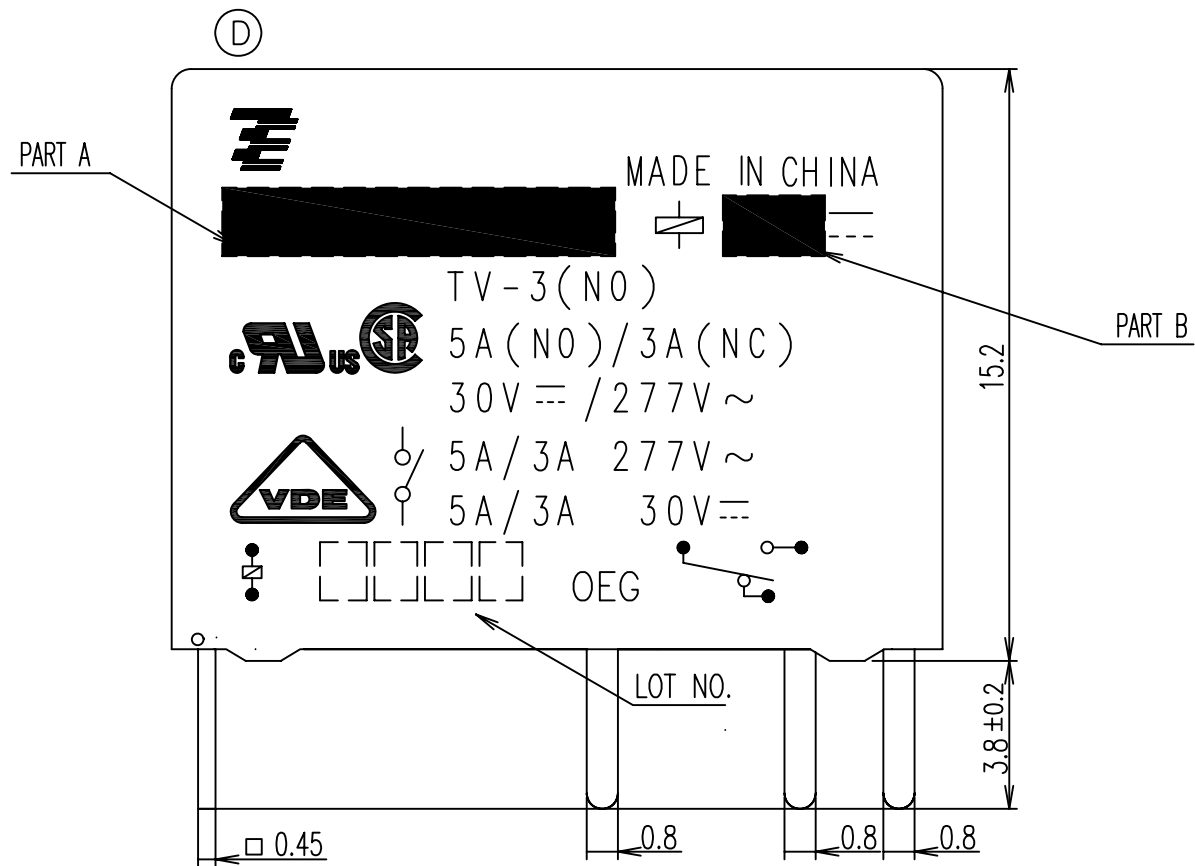


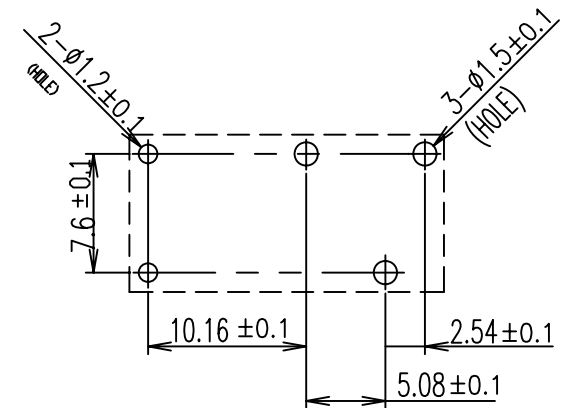
THIS DRAWING IS UNPUBLISHED. RELEASED FOR PUBLICATION
 © COPYRIGHT BY TYCO ELECTRONICS CORPORATION. ALL RIGHTS RESERVED.

LOC DIST
 HB

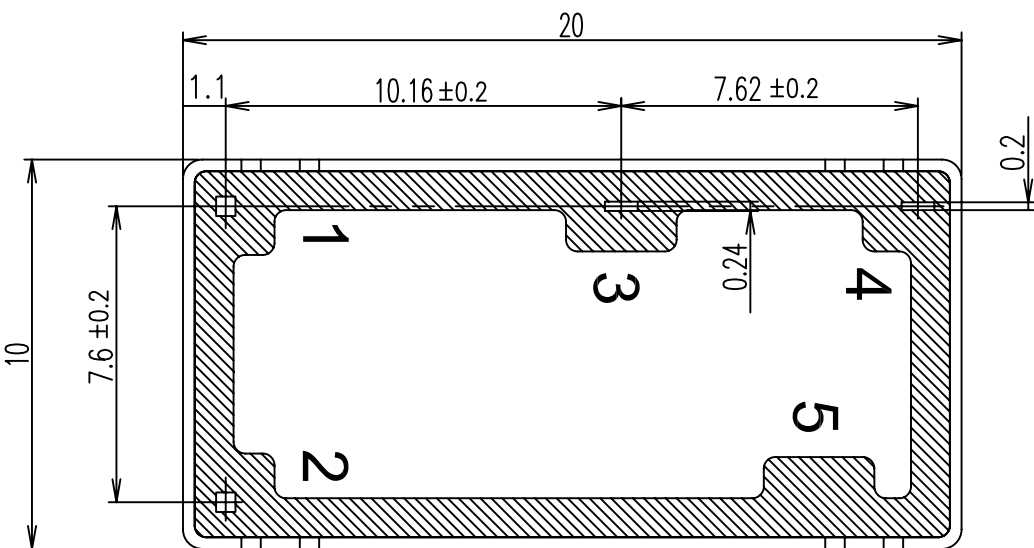
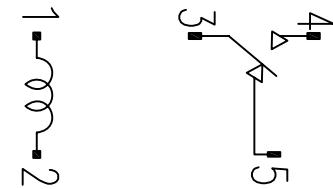
REVISIONS					
P	LTR	DESCRIPTION	ECN	DATE	DWN APVD
	C1	CHANGE SPEC CODE	ECO-06-028026	01-DEC-06	Y.X N.F
	D	CHANGE TE LOGO&DATE CODE	ECO-08-020482	11-SEP-08	YS.H BH.Y



DRILLING DIAGRAM (BOTTOM VIEW)



CONNECTION DIAGRAM (BOTTOM VIEW)



NOTES:
 1. TERMINAL DIMENSIONS BEFORE SOLDER DIP
 2. LAST SUFFIX NON : WASHABLE TYPE
 3. LOT NO. SYSTEM AS FOLLOWING:

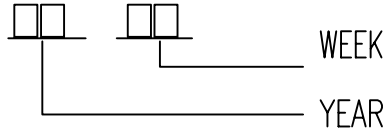


Diagram dimension	Tolerance
0.99mm max.	±0.1mm
1 - 2.99mm	±0.2mm
3mm min.	±0.3mm

THIS DRAWING IS A CONTROLLED DOCUMENT FOR TYCO ELECTRONICS CORPORATION
 IT IS SUBJECT TO CHANGE AND THE CONTROLLING ENGINEERING ORGANIZATION
 SHOULD BE CONTACTED FOR THE LATEST REVISION.

DIMENSIONS: MM	TOLERANCES UNLESS OTHERWISE SPECIFIED:
	0 PLC ±
	1 PLC ±
	2 PLC ±
	3 PLC ±
	4 PLC ±
	ANGLES ±
MATERIAL	FINISH
-	-

DWN H.SASAKI	Tyco Electronics Corporation Shenzhen, China		
CHK N.FUNAYAMA	NAME		
APVD A.NAGAI	PCH SPEC,000 CUSTOMER DRAWING (C1)		
PRODUCT SPEC -	SIZE A3	CAGE CODE 00779	DRAWING NO 1461410
APPLICATION SPEC -	RESTRICTED TO -	SCALE 5:1	SHEET 1 OF 2
WEIGHT -	CUSTOMER DRAWING	REV D	



THIS DRAWING IS UNPUBLISHED. | RELEASED FOR PUBLICATION
 © COPYRIGHT BY TYCO ELECTRONICS CORPORATION. ALL RIGHTS RESERVED.

LOC	DIST	REVISIONS						
		P	LTR	DESCRIPTION	ECN	DATE	DWN	APVD
HB								

1461410-4	PCH-148D2H	48V	PCH-148D2H	n	Ⓢ
9-1440003-5	PCH-124D2H	24V	PCH-124D2H	m	Ⓢ
1461410-3	PCH-118D2H	18V	PCH-118D2H	l	Ⓢ
9-1440003-3	PCH-112D2H	12V	PCH-112D2H	k	Ⓢ
9-1440003-2	PCH-109D2H	9V	PCH-109D2H	j	Ⓢ
9-1440003-1	PCH-106D2H	6V	PCH-106D2H	i	Ⓢ
9-1440003-0	PCH-105D2H	5V	PCH-105D2H	h	Ⓢ
1461410-2	PCH-148D2	48V	PCH-148D2	g	Ⓢ
1440004-1	PCH-124D2	24V	PCH-124D2	f	Ⓢ
1461410-1	PCH-118D2	18V	PCH-118D2	e	Ⓢ
1440004	PCH-112D2	12V	PCH-112D2	d	Ⓢ
9-1440003-9	PCH-109D2	9V	PCH-109D2	c	Ⓢ
9-1440003-8	PCH-106D2	6V	PCH-106D2	b	Ⓢ
9-1440003-7	PCH-105D2	5V	PCH-105D2	a	Ⓢ
TE PART NO	TE TYPE NAME	PART B	PART A	TYPE	

RELAY TYPE

		UV RESIN	UV SEAL	17
		EPOXY RESIN	SEAL	16
		UEW	COIL WIRE	15
	SOLDER DIP	HCP WIRE	COIL TERMINAL	14
		Ag ALLOY	STATIONARY CONTACT	13
		Ag ALLOY	MOVBLE CONTACT	12
		Cu ALLOY	HINGE SPRING	11
	SOLDER DIP	Cu ALLOY	NC TERMINAL	10
	SOLDER DIP	Cu ALLOY	NC TERMINAL	9
	SOLDER DIP	Cu ALLOY	MOVABLE SPRING	8
UL94 V-0		PBT	CARD	7
UL94 V-0		PBT	CASE	6
UL94 HB		PA66	BOBBIN	5
UL94 V-0		PBT	BASE	4
	Ni PLATED	STEEL	CORE	3
	Ni PLATED	STEEL	ARMATURE	2
	Ni PLATED	STEEL	YOKE	1
INCOMBUSTIBILITY	TREATMENT	MATERIAL	DESCRIPTION	ITEM

THIS DRAWING IS A CONTROLLED DOCUMENT FOR TYCO ELECTRONICS CORPORATION IT IS SUBJECT TO CHANGE AND THE CONTROLLING ENGINEERING ORGANIZATION SHOULD BE CONTACTED FOR THE LATEST REVISION.		DWN	 Tyco Electronics Corporation Shenzhen, China		
DIMENSIONS: MM		CHK			
	TOLERANCES UNLESS OTHERWISE SPECIFIED:	APVD	NAME PCH SPEC,000 CUSTOMER DRAWING Ⓢ		
	0 PLC ±	PRODUCT SPEC	SIZE	CAGE CODE	DRAWING NO
	1 PLC ±	APPLICATION SPEC	A3	00779	Ⓢ 1461410
MATERIAL	FINISH	WEIGHT	RESTRICTED TO		
		CUSTOMER DRAWING	SCALE	SHEET	REV
			NTS	2 OF 2	D