

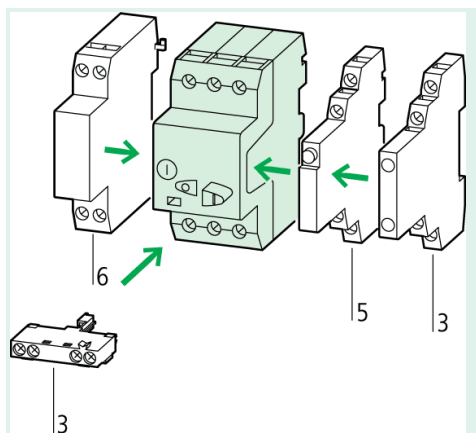
Type: **PKZM01-10**  
 Article No.: **278484**



**Ordering information**

Motor rating AC-3 220 V 230 V 240 V	<i>P</i>	kW	2.2
Motor rating AC-3 380 V 400 V 415 V	<i>P</i>	kW	4
Motor rating AC-3 440 V	<i>P</i>	kW	4
Motor rating AC-3 500 V	<i>P</i>	kW	4
Motor rating AC-3 690 V	<i>P</i>	kW	7.5
Rated uninterrupted current	<i>I<sub>u</sub></i>	A	10
Overload release, min. – Overload release, max.	<i>I<sub>r</sub></i>	A	6,3 – 10
max.	<i>I<sub>m</sub></i>	A	140

**Notes concerning the product group**



*Accessories*

- 3 Standard auxiliary contact
- 5 Trip-indicating auxiliary contact

*Page*

- 072896
- 072898

6 Shunt release, undervoltage release → 073187

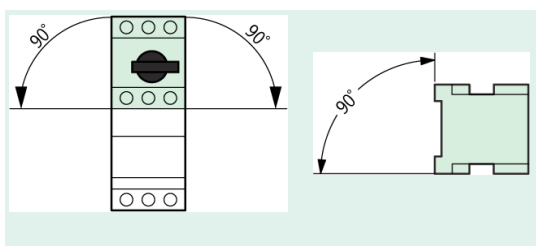
Single-phasing sensitivity to IEC/EN 60947-4-1

Can be snap-fitted to IEC/EN 60715 top-hat rail with 7.5 or 15 mm height.

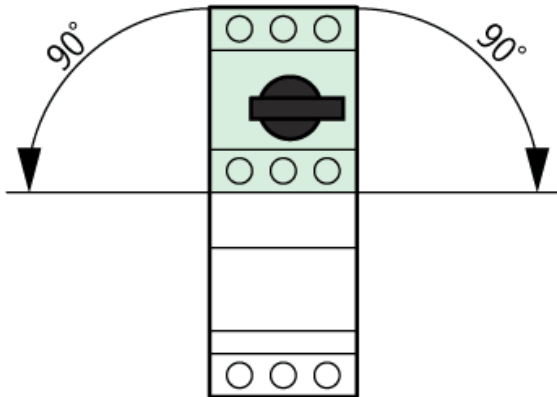
General			
Standards			IEC/EN 60947, VDE 0660, UL 508, CSA C 22.2 No. 14
Climatic proofing			Damp heat, constant, to IEC 60068-2-78 Damp heat, cyclic, to IEC 60068-2-30
Ambient temperature			
Storage		°C	-25/80
Open		°C	-25/55
Enclosed		°C	-25/40
Direction of incoming supply			As required
Degree of protection			
Device			IP20
Terminations			IP00
Protection against direct contact			Finger- and back-of-hand proof
Mechanical shock resistance half-sinusoidal shock 10 ms to IEC 60068-2-27		g	25
Altitude		m	2000
Terminal capacities			
Solid		mm <sup>2</sup>	1 × (1 – 6) 2 × (1 – 6)
Flexible with ferrule to DIN 46228		mm <sup>2</sup>	1 × (1 – 6) 2 × (1 – 6)
Solid or stranded		AWG	18 – 10
Specified tightening torque for terminal screws			
Main cable		Nm	1,7
Control circuit cables		Nm	1
Main conducting paths			
Rated impulse withstand voltage	$U_{imp}$	V AC	6000
Overvoltage category/pollution degree			III/3
Rated operational voltage	$U_e$	V AC	690
Rated uninterrupted current = rated operational current	$I_u = I_e$	A	16 or current setting of the overcurrent release
Rated frequency		Hz	40 – 60
Current heat loss (3-pole at operating temperature)		W	6
Lifespan, mechanical	Operations	× 10 <sup>6</sup>	> 0,05
Lifespan, electrical (AC-3 at 400 V)	Operations	× 10 <sup>6</sup>	0,05
Maximum operating frequency			
Max. operating frequency		Ops/h	25
Short-circuit rating			
DC			
Short-circuit rating		kA	60
Short-circuit rating			60
Motor switching capacity			

AC-3 up to 690 V		A	16
DC-5 (up to 250 V)		A	16 (3 contacts in series)
<b>Trip blocks</b>			
Temperature compensation			
to IEC/EN 60 947, VDE 0660		°C	-5 – 40
Operating range		°C	-25 – 55
Temperature compensation residual error for T > 20 °C		%/K	f 0.25
Setting range of overload releases		$\times I_U$	0,6 – 1
Short-circuit release fixed		$\times I_U$	14
Short-circuit release tolerance		%	20
Phase-failure sensitivity			IEC/EN 60947-4-1, VDE 0660 Part 102
<b>Dimensions</b>			

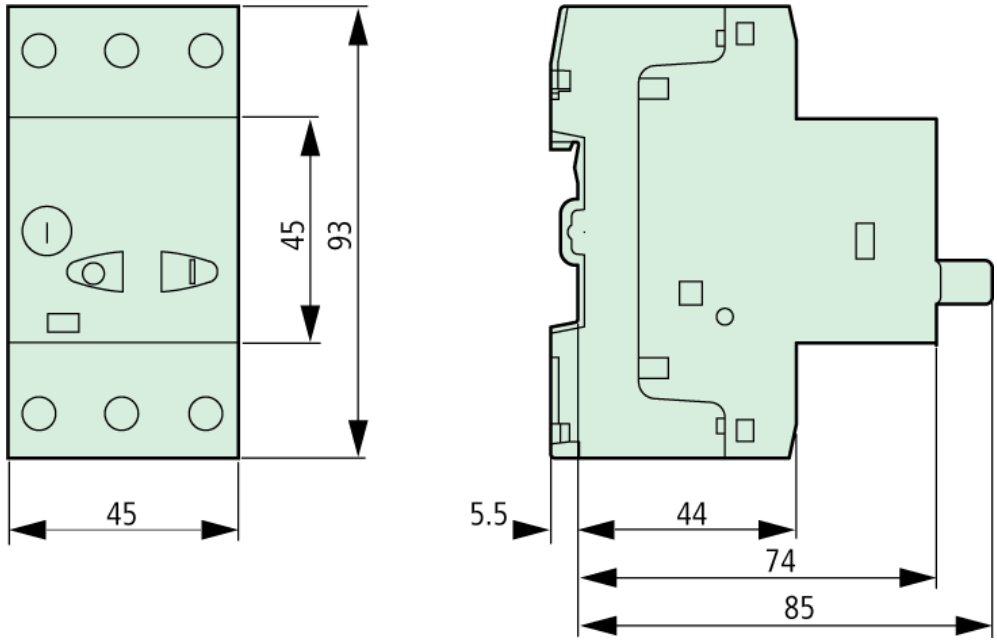
### Mounting position



### Mounting position



### Dimensions



Moeller GmbH, Hein-Moeller-Str. 7-11, D-53115 Bonn  
E-Mail: [catalog@moeller.net](mailto:catalog@moeller.net), Internet: [www.moeller.net](http://www.moeller.net), <http://catalog.moeller.net>  
Copyright 2005 by Moeller GmbH. Subject to modifications. HPL-C2005GB-INT V3.0