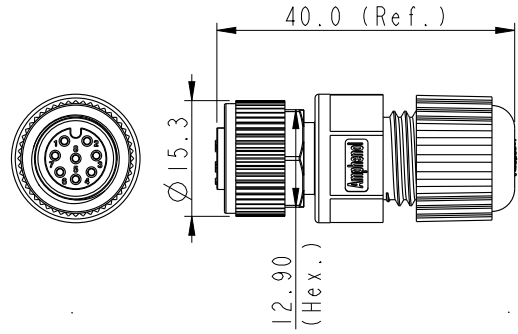
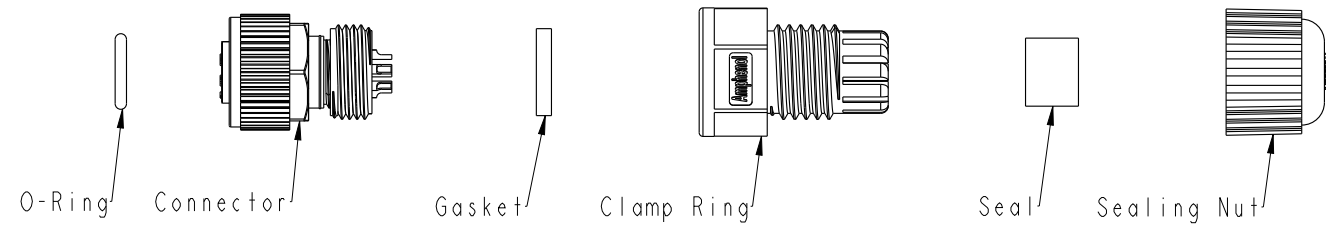


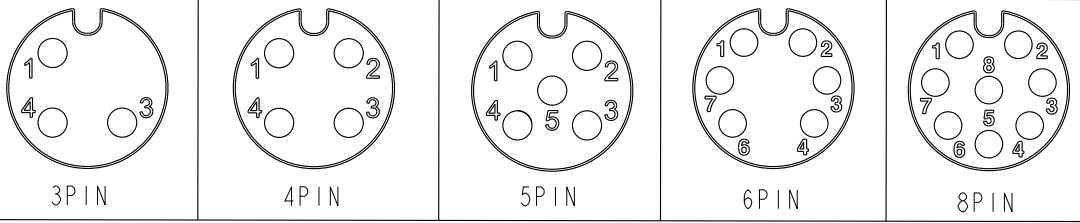
THIS DOCUMENT IS SUBJECT TO CHANGE WITHOUT NOTICE. IT IS CONFIDENTIAL AND A PROPERTY OF Amphenol LTW. DISCLOSURE TO THIRD PARTY HAS TO BE AUTHORIZED BY Amphenol LTW.

REV.	ECN NO.	DATE	SIGN	DESCRIPTION

**ALTW**  
**CONFIDENTIAL**  
 2019-08-28  
**R&D DEPT.**



- Note:
- \* 15.3 Important Dimension To Check
  - \* Waterproof Rate: IP68
  - \* Housing: Nylon+GF, Black
  - \* Pin: Copper Alloy, Gold Plated
  - \* Nut: Nylon, Black
  - \* Gasket: Silicone, Gray
  - \* Clamp Ring: Nylon, Black
  - \* Sealing Nut: Nylon, Black
  - \* Seal: Silicone, Dark Gray
  - \* Seal For Cable OD:  $\varnothing 4.5\text{mm} \sim \varnothing 6.5\text{mm}$
  - \* O-Ring: Silicone, Gray



Pin Assignments Front View

UNIT: mm TOLERANCE $\pm 0.5$		TITLE M12 A CODE Assy F Conn F PIN		<h2 style="margin: 0;">Amphenol LTW</h2> <p style="margin: 0;">安費諾亮泰企業股份有限公司</p>	ITEM NO	DRAWN BY JC Chen	DATE 2019/08/28	
		SCALE 1:1	SIZE A4		SHEET 1 OF 2	DWG NO MSAP-XXBFFA-SL8001	CHECKED BY Li Feng	DATE 2019/08/28
		REV. A	WC-REV. A.5		<span style="border: 1px solid black; border-radius: 50%; padding: 2px;">QC</span> : Inspection item	CUSTOMER ALTW	APPROVED BY Jerry	DATE 2019/08/28

THIS DOCUMENT IS SUBJECT TO CHANGE WITHOUT NOTICE. IT IS CONFIDENTIAL AND A PROPERTY OF Amphenol LTW. DISCLOSURE TO THIRD PARTY HAS TO BE AUTHORIZED BY Amphenol LTW.

1	2	3	4	5	6	7	8
F							
E							
D							
C							
B							
A							

M SAP - XX B F F A - S L 8 001

SAP: A-Code Plastic Nut

- 03: 3Pin
- 04: 4Pin
- 05: 5Pin
- 06: 6Pin
- 08: 8Pin

B: Without S/R(無網尾)

F: Female Connector(母座)

F: Female Pin(母Pin)

001: Without Cable

8: IP68(防水等級68)

L: Straight (180°)

S: Screw(螺紋式)

A: Solder Type



UNIT:mm		
TOLERANCE	±	0.5

TITLE M12 A CODE Assy F Conn F PIN			
SCALE 1:1	SIZE A4	SHEET 2 OF 2	
REV. A	WC-REV. A.5	☉: Inspection item	

**Amphenol LTW**  
安費諾亮泰企業股份有限公司

ITEM NO	DRAWN BY JC Chen	DATE 2019/08/28
DWG NO MSAP-XXBFFA-SL8001	CHECKED BY Li Feng	DATE 2019/08/28
CUSTOMER ALTW	APPROVED BY Jerry	DATE 2019/08/28