

# GL66 Wall-Mount Enclosures: Hinged Cover

## GL66 SERIES STAINLESS STEEL HINGED COVER WALL-MOUNT ENCLOSURES



Manufactured in Type 304 and 316L stainless steel, these enclosures are ideal for indoor or outdoor applications which require corrosion protection from chemicals and water.

The enclosures contain an external body flange to prevent contaminants from entering the enclosure; a strong door with removable hinges; a conductive panel ordered separately and quarter-turn latch with 3 mm double-bit insert for a secure closure.

### INDUSTRY STANDARDS

Mounting brackets required to meet UL/CSA external mounting requirements.

UL 508A Listed; Type 4, 4X, 12; File No. E61997  
cUL Listed per CSA C22.2 No 94; Type 4, 4X, 12;  
File No. E61997

NEMA/EEMAC Type 4, 4X, 12, 13  
CSA File No. 42186: Type 4, 4X, 12  
IEC/EN 60529, IP66  
IEC/EN 62262, IK10  
IEC/EN 62208



### APPLICATION

- Food and beverage production
- Offshore and all saline environments
- Waste and water treatment
- Packaging
- Pharmaceutical processing
- Outdoor environments and corrosive applications

### SCOPE OF DELIVERY

- Enclosure with hinged door
- Gland plate, supplied loose (for items with gland plate)
- Assembly kit

For specific accessories, please go to the end of each subsection.  
For other general accessories, please refer to the chapter "Accessories".

- Installation instruction
- Mounting plate is not included and should be ordered separately

### FEATURES

- Versions with or without gland plate
- Minimum-width body flange provides maximum body opening
- External formed 90 degree body flange
- Door opens 210 degrees
- Mounting holes in back of body for direct mounting or for optional external mounting brackets
- Doors are easily removed by pulling clip-style hinge pins
- Quarter-turn latches furnished with 3 mm double-bit insert
- Self-grounding latch system with double seal
- Left hinged doors, reversible

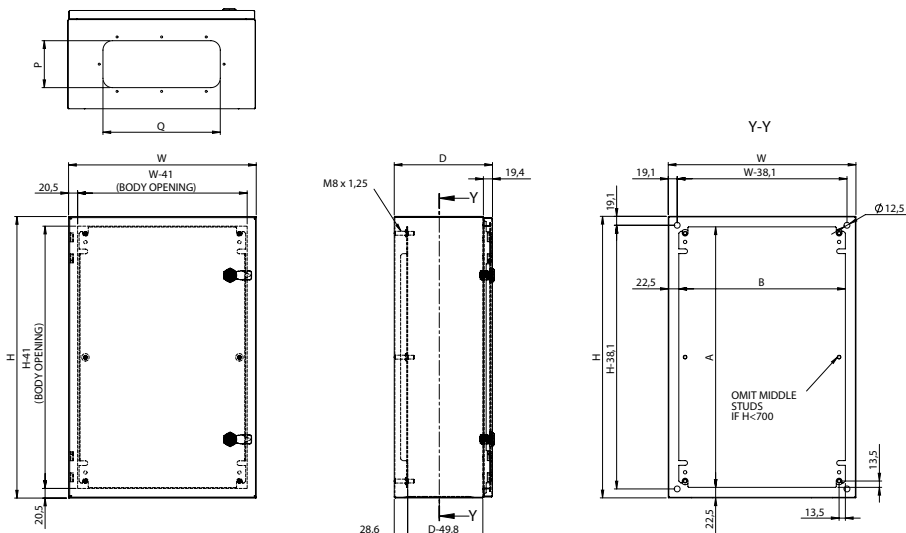
### SPECIFICATIONS

- Stainless steel wall-mount GL66, IP66, UL/NEMA Type 4X enclosure
- Stainless steel type 304 or type 316L in standard
- Material thickness: 1,2, 1,5 and 2,0 mm doors; 1,2 and 1,5 mm body
- Type 316 stainless steel hinge pins
- Seamless foam-in-place gasket
- Grounding stud on the body
- Bonding provision on the door
- Brushed finish 320 grain

# GL66 Wall-Mount Enclosures: Hinged Cover

## STANDARD PRODUCT, STAINLESS STEEL 304

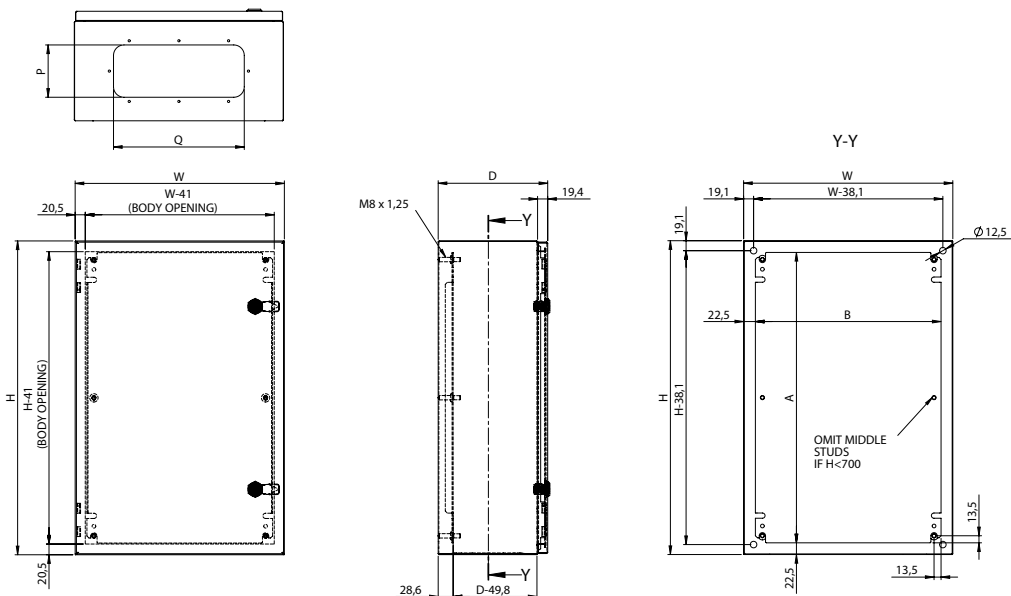
Item number	Description	H [mm]	W [mm]	D [mm]	Door thickness [mm]	Body thickness [mm]	Material	Gland Plate	Q [mm]	P [mm]	Type	Conductive Mounting Plate
M300200120SSE	Wallmount StSt 304 IP66 door	300	200	120	1.2	1.2	304	NO	-	-		M300P200GE
M300200150SSE	Wallmount StSt 304 IP66 door	300	200	150	1.2	1.2	304	NO	-	-		M300P200GE
M300250150SSE	Wallmount StSt 304 IP66 door	300	250	150	1.2	1.2	304	NO	-	-		M300P250GE
M300250210SSE	Wallmount StSt 304 IP66 door	300	250	210	1.2	1.2	304	NO	-	-		M300P250GE
M300300120SSE	Wallmount StSt 304 IP66 door	300	300	120	1.2	1.2	304	NO	-	-		M300P300GE
M300300210SSE	Wallmount StSt 304 IP66 door	300	300	210	1.2	1.2	304	NO	-	-		M300P300GE
M300300210GSSE	Wallmount StSt 304 IP66 door with gland plate	300	300	210	1.2	1.2	304	YES	180	100	A	M300P300GE
M300400120SSE	Wallmount StSt304 IP66 door	300	400	120	1.2	1.2	304	NO	-	-		M400P300GE
M300400210GSSE	Wallmount StSt304 IP66 door with gland plate	300	400	210	1.2	1.2	304	YES	280	100	B	M400P300GE
M350300210SSE	Wallmount StSt304 IP66 door	350	300	210	1.2	1.2	304	NO	-	-		M350P300GE
M400300150SSE	Wallmount StSt304 IP66 door	400	300	150	1.2	1.2	304	NO	-	-		M400P300GE
M400300210GSSE	Wallmount StSt304 IP66 door with gland plate	400	300	210	1.2	1.2	304	YES	180	100	A	M400P300GE
M400400210SSE	Wallmount StSt304 IP66 door	400	400	210	1.2	1.2	304	NO	-	-		M400P400GE
M400400210GSSE	Wallmount StSt304 IP66 door with gland plate	400	400	210	1.2	1.2	304	YES	280	100	B	M400P400GE
M400600210SSE	Wallmount StSt304 IP66 door	400	600	210	1.2	1.2	304	NO	-	-		M600P400GE
M500400210SSE	Wallmount StSt304 IP66 door	500	400	210	1.2	1.2	304	NO	-	-		M500P400GE
M500400210GSSE	Wallmount StSt304 IP66 door with gland plate	500	400	210	1.2	1.2	304	YES	280	100	B	M500P400GE
M500500210GSSE	Wallmount StSt304 IP66 door with gland plate	500	500	210	1.2	1.2	304	YES	380	100	C	M500P500GE
M500500300GSSE	Wallmount StSt304 IP66 door with gland plate	500	500	300	1.2	1.2	304	YES	380	180	E	M500P500GE
M600400210SSE	Wallmount StSt304 IP66 door	600	400	210	1.2	1.2	304	NO	-	-		M600P400GE
M600400210GSSE	Wallmount StSt304 IP66 door with gland plate	600	400	210	1.2	1.2	304	YES	280	100	B	M600P400GE
M600400350GSSE	Wallmount StSt304 IP66 door with gland plate	600	400	350	1.2	1.2	304	YES	280	180	D	M600P400GE
M600600210SSE	Wallmount StSt304 IP66 door	600	600	210	1.5	1.5	304	NO	-	-		M600P600GE
M600600210GSSE	Wallmount StSt304 IP66 door with gland plate	600	600	210	1.5	1.5	304	YES	380	100	C	M600P600GE
M600600300SSE	Wallmount StSt304 IP66 door	600	600	300	1.5	1.5	304	NO	-	-		M600P600GE
M600600300GSSE	Wallmount StSt304 IP66 door with gland plate	600	600	300	1.5	1.5	304	YES	380	180	E	M600P600GE
M600600350GSSE	Wallmount StSt304 IP66 door with gland plate	600	600	350	1.5	1.5	304	YES	380	180	E	M600P600GE
M700500250GSSE	Wallmount StSt304 IP66 door with gland plate	700	500	250	1.5	1.5	304	YES	380	100	C	M700P500GE
M800600210SSE	Wallmount StSt304 IP66 door	800	600	210	2.0	1.5	304	NO	-	-		M800P600GE
M800600210GSSE	Wallmount StSt304 IP66 door with gland plate	800	600	210	2.0	1.5	304	YES	380	100	C	M800P600GE
M800600250GSSE	Wallmount StSt304 IP66 door with gland plate	800	600	250	2.0	1.5	304	YES	380	100	C	M800P600GE
M800600300SSE	Wallmount StSt304 IP66 door	800	600	300	2.0	1.5	304	NO	-	-		M800P600GE
M800600300GSSE	Wallmount StSt304 IP66 door with gland plate	800	600	300	2.0	1.5	304	YES	380	180	E	M800P600GE
M800600350GSSE	Wallmount StSt304 IP66 door with gland plate	800	600	350	2.0	1.5	304	YES	380	180	E	M800P600GE
M800800210GSSE	Wallmount StSt304 IP66 door with gland plate	800	800	210	2.0	1.5	304	YES	280	100	2xB	M800P800GE
M800800300GSSE	Wallmount StSt304 IP66 door with gland plate	800	800	300	2.0	1.5	304	YES	280	180	2xD	M800P800GE
M1000800300SSE	Wallmount StSt304 IP66 door	1000	800	300	2.0	1.5	304	NO	-	-		M1000P800GE
M1000800300GSSE	Wallmount StSt304 IP66 door with gland plate	1000	800	300	2.0	1.5	304	YES	280	180	2xD	M1000P800GE
M1200800300GSSE	Wallmount StSt304 IP66 door with gland plate	1200	800	300	2.0	1.5	304	YES	280	180	2xD	M1200P800GE



# GL66 Wall-Mount Enclosures: Hinged Cover

## STANDARD PRODUCT, STAINLESS STEEL 316L

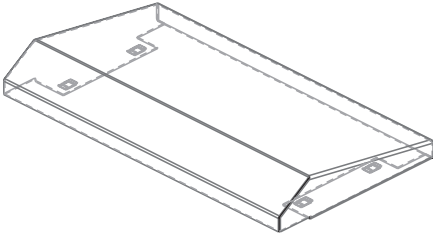
Item Number	Description	H [mm]	W [mm]	D [mm]	Door Thickness [mm]	Body Thickness [mm]	Material	Gland Plate	Q [mm]	P [mm]	Type	Conductive Mounting Plate
M300200150SS6E	Wallmount StSt 316L IP66 door	300	200	150	1.2	1.2	316L	NO	-	-		M300P200GE
M400300150SS6E	Wallmount StSt 316L IP66 door	400	300	150	1.2	1.2	316L	NO	-	-		M400P300GE
M400300210GSS6E	Wallmount StSt 316L IP66 door with gland plate	400	300	210	1.2	1.2	316L	YES	180	100	A	M400P300GE
M400400210SS6E	Wallmount StSt 316L IP66 door	400	400	210	1.2	1.2	316L	NO	-	-		M400P400GE
M400400210GSS6E	Wallmount StSt 316L IP66 door with gland plate	400	400	210	1.2	1.2	316L	YES	280	100	B	M400P400GE
M400600210SS6E	Wallmount StSt 316L IP66 door	400	600	210	1.2	1.2	316L	NO	-	-		M600P400GE
M500400210SS6E	Wallmount StSt 316L IP66 door	500	400	210	1.2	1.2	316L	NO	-	-		M500P400GE
M500400210GSS6E	Wallmount StSt 316L IP66 door with gland plate	500	400	210	1.2	1.2	316L	YES	280	100	B	M500P400GE
M500500210GSS6E	Wallmount StSt 316L IP66 door with gland plate	500	500	210	1.2	1.2	316L	YES	380	100	C	M500P500GE
M600400210SS6E	Wallmount StSt 316L IP66 door	600	400	210	1.2	1.2	316L	NO	-	-		M600P400GE
M600400210GSS6E	Wallmount StSt 316L IP66 door with gland plate	600	400	210	1.2	1.2	316L	YES	280	100	B	M600P400GE
M600600210SS6E	Wallmount StSt 316L IP66 door	600	600	210	1.5	1.5	316L	NO	-	-		M600P600GE
M600600210GSS6E	Wallmount StSt 316L IP66 door with gland plate	600	600	210	1.5	1.5	316L	YES	380	100	C	M600P600GE
M600600300SS6E	Wallmount StSt 316L IP66 door	600	600	300	1.5	1.5	316L	NO	-	-		M600P600GE
M600600300GSS6E	Wallmount StSt 316L IP66 door with gland plate	600	600	300	1.5	1.5	316L	YES	380	180	E	M600P600GE
M800600210SS6E	Wallmount StSt 316L IP66 door	800	600	210	1.5	2.0	316L	NO	-	-		M800P600GE
M800600210GSS6E	Wallmount StSt 316L IP66 door with gland plate	800	600	210	1.5	2.0	316L	YES	380	100	C	M800P600GE
M800600300SS6E	Wallmount StSt 316L IP66 door	800	600	300	1.5	2.0	316L	NO	-	-		M800P600GE
M800600300GSS6E	Wallmount StSt 316L IP66 door with gland plate	800	600	300	1.5	2.0	316L	YES	380	180	E	M800P600GE
M800800300GSS6E	Wallmount StSt 316L IP66 door with gland plate	800	800	300	1.5	2.0	316L	YES	280	180	2xD	M800P800GE
M1000800300SS6E	Wallmount StSt 316L IP66 door	1000	800	300	1.5	2.0	316L	NO	-	-		M1000P800GE
M1000800300GSS6E	Wallmount StSt 316L IP66 door with GP	1000	800	300	1.5	2.0	316L	YES	280	180	2xD	M1000P800GE
M1200800300GSS6E	Wallmount StSt 316L IP66 door with GP	1200	800	300	1.5	2.0	316L	YES	280	180	2xD	M1200P800GE





# GL66 Wall-Mount Enclosures: Hinged Cover

## TOP SUN SHIELD



Top sun shield can be mounted at the top of the body after drilling holes in enclosure. Mounting hardware included.

Fits to enclosure size W x D [mm]	Stainless steel 304 Item number	Stainless steel 316L Item number
150x120	M150120TSS	M150120TSS6
200x120	M200120TSS	M200120TSS6
200x150	M200150TSS	M200150TSS6
250x150	M250150TSS	M250150TSS6
250x210	M250210TSS	M250210TSS6
300x120	M300120TSS	M300120TSS6
300x150	M300150TSS	M300150TSS6
300x210	M300210TSS	M300210TSS6
400x120	M400120TSS	M400120TSS6
400x210	M400210TSS	M400210TSS6
400x350	M400350TSS	M400350TSS6
500x210	M500210TSS	M500210TSS6
500x250	M500250TSS	M500250TSS6
500x300	M500300TSS	M500300TSS6
600x210	M600210TSS	M600210TSS6
600x250	M600250TSS	M600250TSS6
600x300	M600300TSS	M600300TSS6
600x350	M600350TSS	M600350TSS6
800x210	M800210TSS	M800210TSS6
800x300	M800300TSS	M800300TSS6

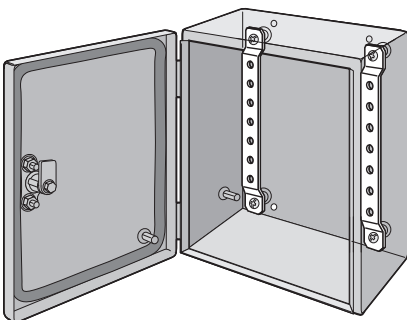
## MOUNTING PLATE



Please purchase panels separately. Mounting panels are conductive 2,0 mm steel. Mounted on M8x1,25 collar studs. Mounting hardware delivered with GL66 enclosure hardware kit.

Item number	Description	A [mm]	B [mm]
M300P150GE	MPL for GL66 HC size 300x150mm	255	105
M300P200GE	MPL for GL66 HC size 300x200mm	255	155
M300P250GE	MPL for GL66 HC size 300x250mm	255	205
M300P300GE	MPL for GL66 HC size 300x300mm	255	255
M350P300GE	MPL for GL66 HC size 350x300mm	305	255
M400P300GE	MPL for GL66 HC size 400x300mm	355	255
M400P400GE	MPL for GL66 HC size 400x400mm	355	355
M500P400GE	MPL for GL66 HC size 500x400mm	455	355
M500P500GE	MPL for GL66 HC size 500x500mm	455	455
M600P400GE	MPL for GL66 HC size 600x400mm	555	355
M600P600GE	MPL for GL66 HC size 600x600mm	555	555
M700P500GE	MPL for GL66 HC size 700x500mm	655	455
M800P600GE	MPL for GL66 HC size 800x600mm	755	555
M800P800GE	MPL for GL66 HC size 800x800mm	755	755
M1000P800GE	MPL for GL66 HC size 1000x800mm	955	755
M1000P1000GE	MPL for GL66 HC size 1000x1000mm	955	955
M1200P800GE	MPL for GL66 HC size 1200x800mm	1155	755
M1200P1000GE	MPL for GL66 HC size 1200x1000mm	1155	955
M1400P800GE	MPL for GL66 HC size 1200x800mm	1355	755
M1400P1200GE	MPL for GL66 HC size 1400x1200mm	1355	1155

## DIN RAIL MOUNTING KIT



Item number	Description	H or W of enclosure [mm]
MMK15E	DIN moun.brackets for GL66 hinged cover	150
MMK20E	DIN moun.brackets for GL66 hinged cover	200
MMK25E	DIN moun.brackets for GL66 hinged cover	250
MMK30E	DIN moun.brackets for GL66 hinged cover	300
MMK35E	DIN moun.brackets for GL66 hinged cover	350
MMK40E	DIN moun.brackets for GL66 hinged cover	400
MMK50E	DIN moun.brackets for GL66 hinged cover	500
MMK60E	DIN moun.brackets for GL66 hinged cover	600
MMK70E	DIN moun.brackets for GL66 hinged cover	700
MMK80E	DIN moun.brackets for GL66 hinged cover	800
MMK100E	DIN moun.brackets for GL66 hinged cover	1000
MMK120E	DIN moun.brackets for GL66 hinged cover	1200

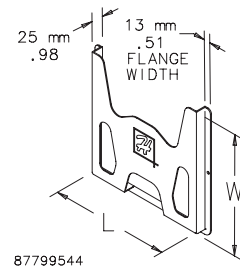
# GL66 Wall-Mount Enclosures: Hinged Cover

## DATA POCKET



Data Pockets provide convenient storage for wiring diagrams, operation manuals and other documentation inside an enclosure. Constructed of high-impact thermoplastic, pockets are dark gray and have cutout areas for easy access and visibility to contents. Delivered with self-adhesive tape for mounting option without welded studs.

Item number	Description
ADP1	Small pocket 152 x 152 mm
ADP2	Large pocket 305 x 305 mm



## DOOR STOP KIT



Enclosures must have a "W" dimension of 400 mm or more. Door Stop Kit can be mounted at the top or bottom of the door opening after drilling two small holes in the body of the enclosure and two small holes in the door. The angle of the door is easily adjusted by means of a wingnut, and the stop arm slides neatly out of the way when the door is closed.

Item number	Description
ADSTOPK	Steel door stop kit
ADSTOPKSS6	StSt316 door stop kit

## WALL-MOUNTING BRACKETS



Mounting-Bracket Kits are field-installable. Stainless steel brackets are rated to Type 4X. Set of four brackets can support 220 kg maximum load. All hardware is included. Four brackets per kit.

Item number	Description
CMFK	Galvanized w.m. brackets for GL66 HC
CMFKSS	StSt304 w.m. brackets for GL66 HC

## LOCK INSERTS



Lock inserts are field-installable. Stainless steel material and different key locking systems provide maximum protection for your equipment.

Item number	Description
MKSM7SS	StSt304 square 7 mm
MKSM7SS6	StSt316 square 7 mm
MKT8SS	StSt304 triangle 8 mm
MKT8SS6	StSt316 triangle 8 mm
MKDB5SS	StSt304 double bit 5 mm
MKDB5SS6	StSt316 double bit 5 mm

## GROUNDING KIT

Grounding Kit provides means to attach a grounding conductor to the enclosure. Kit includes two insulated copper wires with a ring terminal at each end, all installation hardware and instructions.

Item number	Description
12516000	Grounding kit Packs of 5 pc. Cu wires, green/yellow.