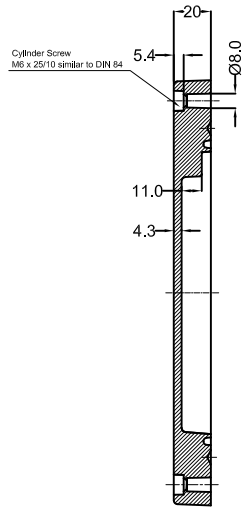
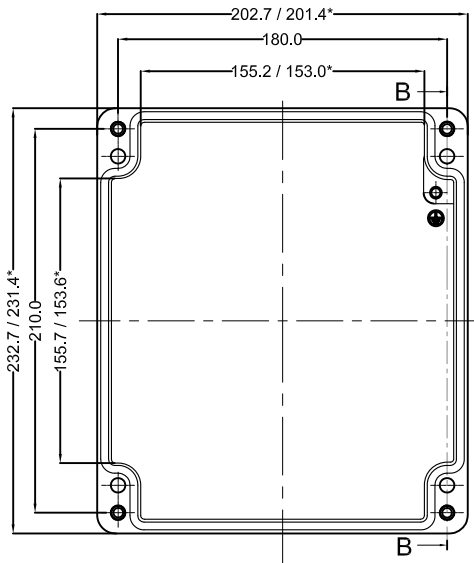
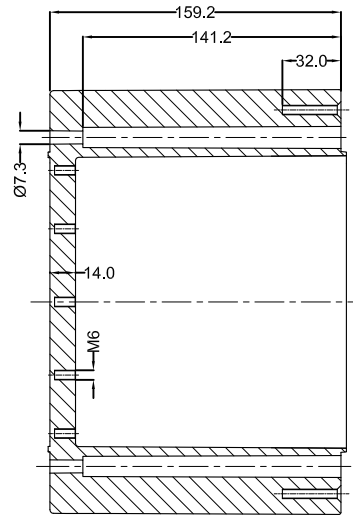
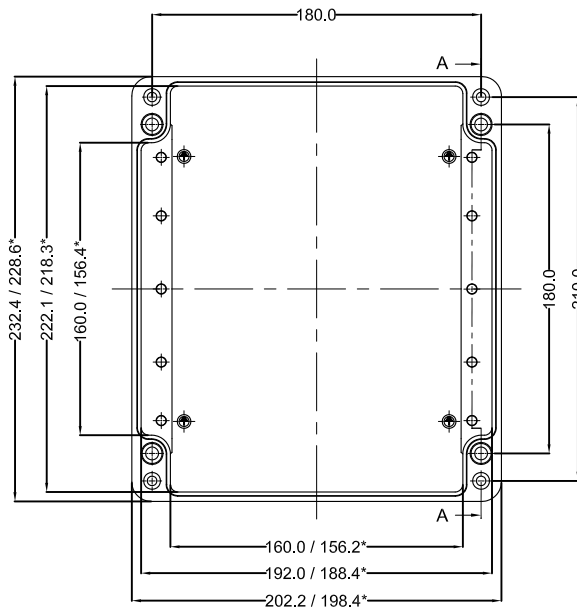


LID



SECTION B-B

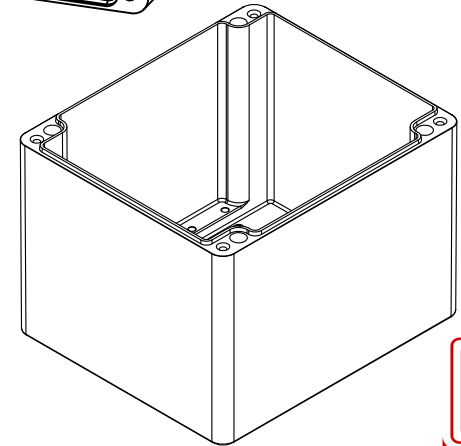
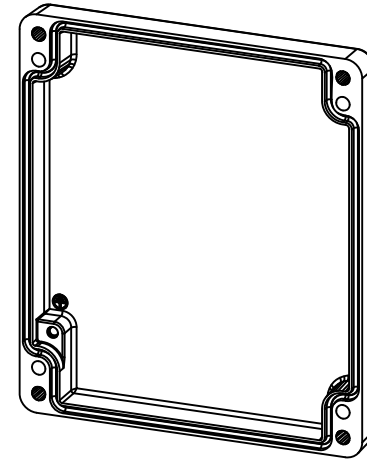
BASE



SECTION A-A

\* = Conical form tapering downward.  
Untoleranced dimensions per GTA 13/5 DIN 1688

OPTIONAL ACCESSORIES		
PART NAME	QTY.	AVAILABILITY
MOUNTING PLATE	1	Y
EXTERNAL HINGE	2	Y
INTERNAL HINGE	2	Y
MOUNTING BRACKETS	4	Y
NEOPRENE/SILICON GASKET	1	Y
DIN RAIL TS15	-	N
DIN RAIL TS35	1	Y



QUANTITY 1	MATERIAL :- <b>ALe112 (Din230)</b>	MACH.NAME -	DATE 18/06/18	SIGN	NAME RRPL DESIGN
		TITLE :- JUNCTION BOX 230 x 200 x 180	18/06/18		MANOJ DRAWN
TOLERANCE ±0.2 SURFACES ±0.2 HOLES ±1.0° ANGLES			18/06/18		PAVAN CHECKED
WEIGHT: -		FINISH: NATURAL	SCALE		
ALL DIMENSION ARE IN MM					
RJ 30					