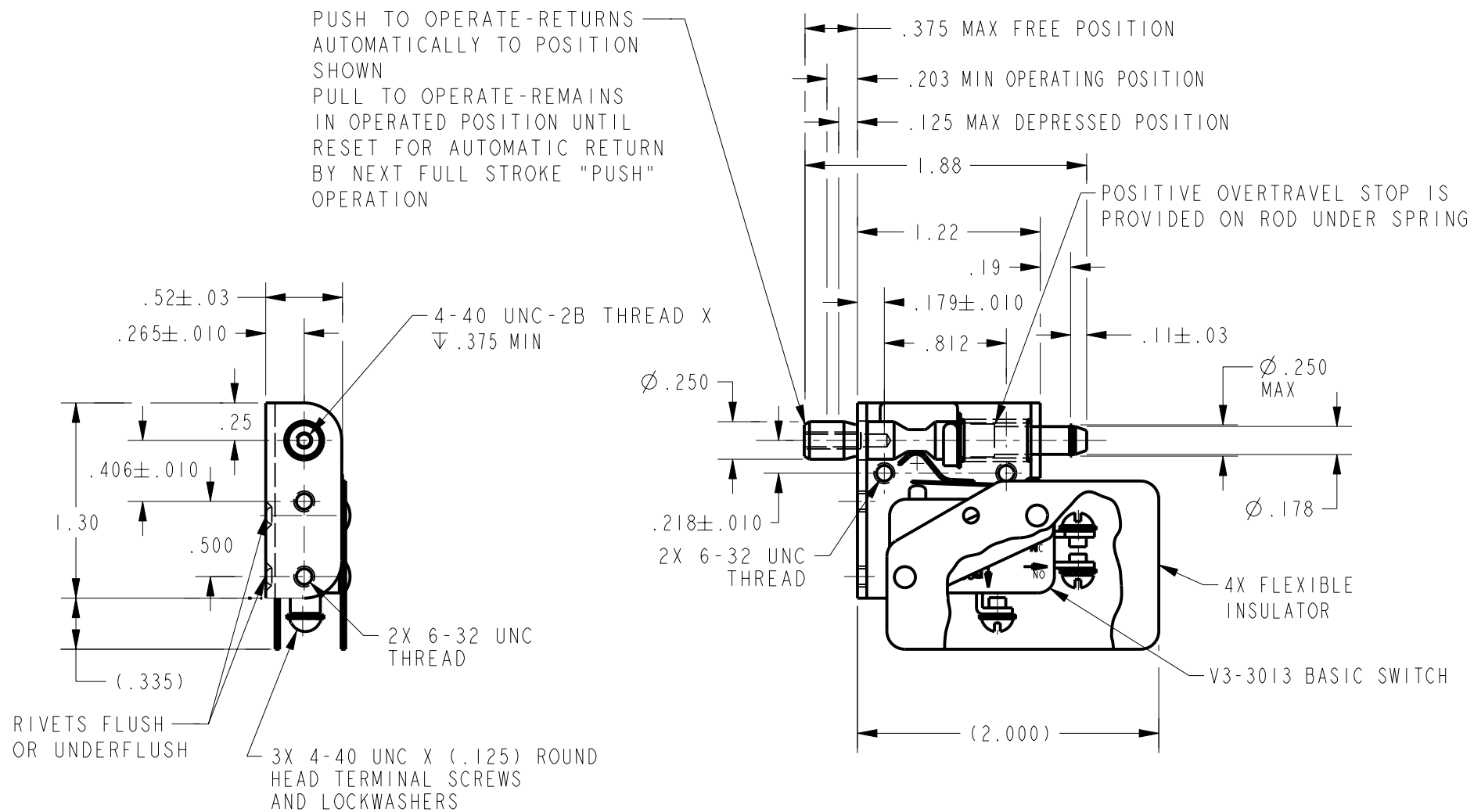


CATALOG LISTING  
 22AC2-UL  
 PAGE 1 OF 1  
 ISSUE 7  
 REVISIONS  
 A 202815  
 G J W  
 APR 01  
 PTC/CAD 2D  
 DRAWN  
 G J W  
 9 APR 02  
 CHECK  
 SAV  
 9 APR 01  
 CHECK  
 RELEASE NO. PR-10902  
 REPLACES



NOTES

- 1 - NOTCH IN ACTUATOR ROD WILL PERMIT .035 DISPLACEMENT BETWEEN END OF ROD AND HOLE IN BRACKET
- 2 - BASIC SWITCH PLASTIC PARTS ARE MADE OF MINERAL FILLED PHENOLICS
- 3 - ACTUATOR ROD MADE OF HIGH STRENGTH PLASTIC
- 4 - WITH ROD IN EITHER ACTUATED POSITION, BASIC SWITCH PLUNGER MUST HAVE .015 MIN OVERTRAVEL AND WITH ROD IN FREE POSITION BASIC SWITCH PLUNGER MUST HAVE .005 MIN RELEASE TRAVEL

THIS DRAWING COVERS A PROPRIETARY ITEM AND IS THE PROPERTY OF MICRO SWITCH, A DIVISION OF HONEYWELL. THIS DRAWING IS NOT TO BE COPIED OR USED WITHOUT THE APPROVAL OF MICRO SWITCH

CHARACTERISTICS
TOTAL TRAVEL
.250 APPROX PUSH DIRECTION
.187 APPROX PULL DIRECTION
FULLY DEPRESSED FORCE-----4 LBS MAX

ELECTRICAL DATA
CONTACT ARRANGEMENT S P D T
L83
15.1A 1/2HP 125, 250 VAC
1/2A 125 VDC, 1/4A 250 VDC
5A 125 VAC "L"

THIRD ANGLE PROJECTION	
SCALE	FULL
DO NOT SCALE PRINT	
UNLESS OTHERWISE SPECIFIED TOLERANCES ARE	
ONE PLACE	(.0) ±.030
TWO PLACE	(.00) ±.015
THREE PLACE	(.000) ±.005
ANGLES	±
WEIGHT	



ANSI Y14.5M-1982 APPLIES