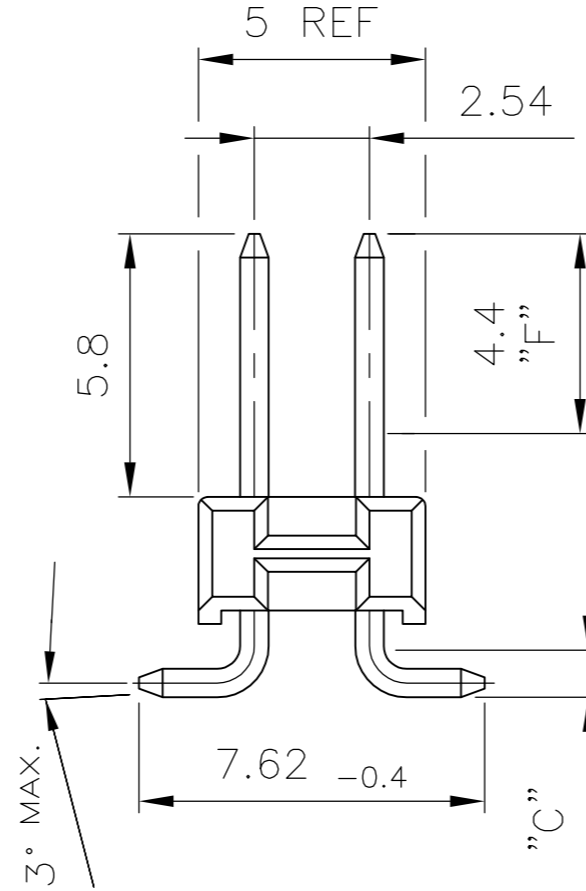
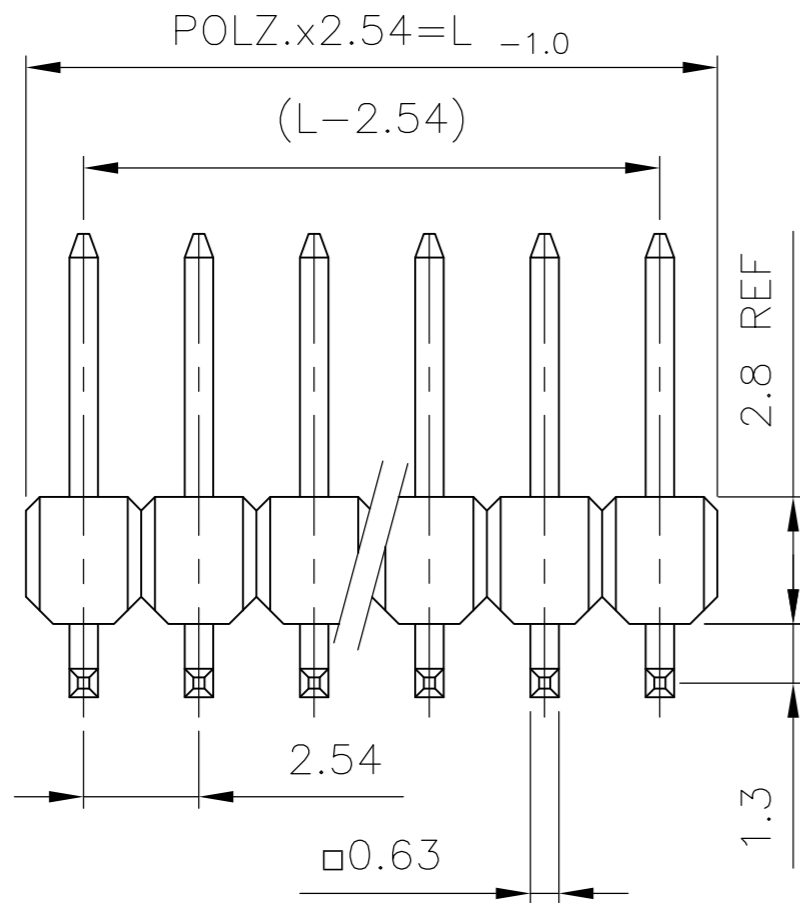


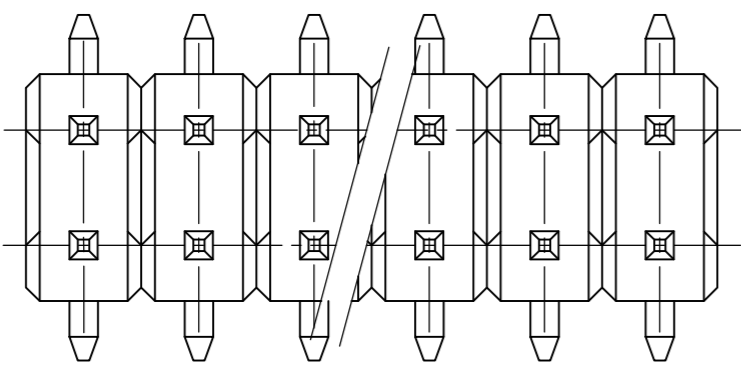
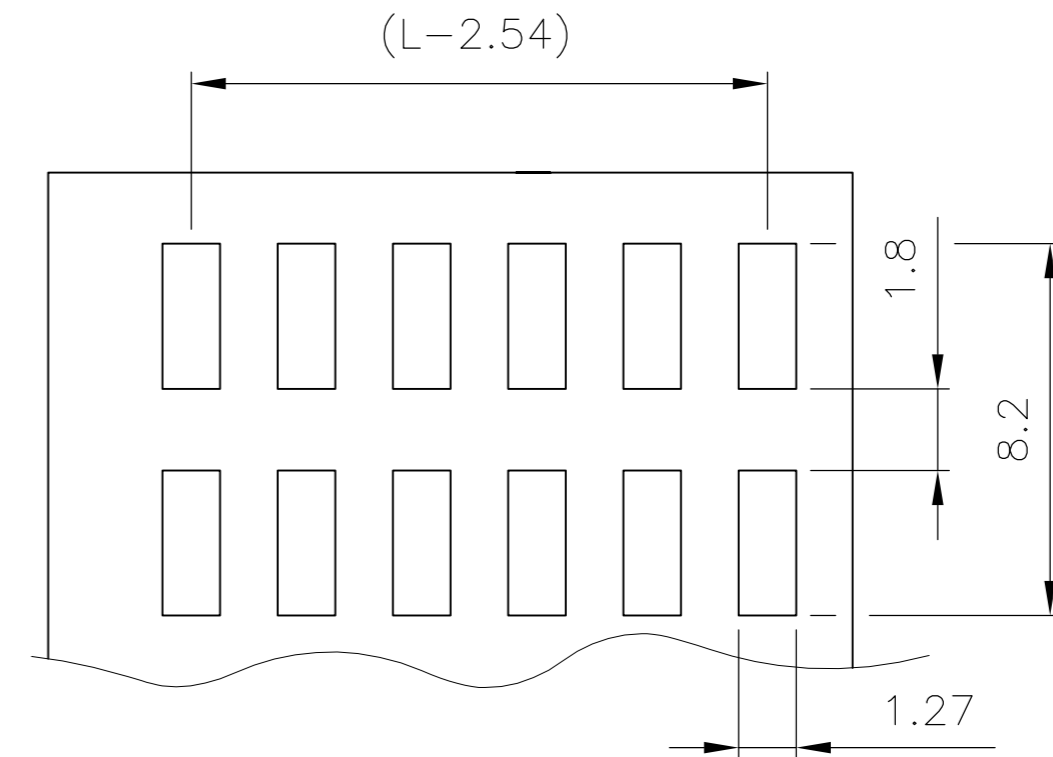
THIS DRAWING IS UNPUBLISHED.
 VERTRÄULICHE UNVERÖFFENTLICHTE ZEICHNUNG
 RELEASED FOR PUBLICATION
 FREI FUER VERÖFFENTLICHUNG
 SEP. 1998.
 ALL RIGHTS RESERVED.
 ALLE RECHTE VORBEHALTEN

| LOC | DIST | REVISIONS ÄNDERUNGEN | | | | |
|-----|------|---|-----|-----------|-----|------|
| IR | - | P | LTR | DATE | DWN | APVD |
| | | B | | 06MAY2014 | KJK | JK |
| | | DESCRIPTION BESCHREIBUNG | | | | |
| | | CONTACT PIN BASE MATERIAL AND PLATING AT CONTACT AREA F CHANGED | | | | |

| Pos. | L _{-1.0} |
|------|-------------------|
| 2 | 5,08 |
| 3 | 7,62 |
| 4 | 10,16 |
| 5 | 12,7 |
| 6 | 15,24 |
| 7 | 17,78 |
| 8 | 20,32 |
| 9 | 22,86 |
| 10 | 25,4 |
| 11 | 27,94 |
| 12 | 30,48 |
| 13 | 33,02 |
| 14 | 35,56 |
| 15 | 38,1 |
| 16 | 40,64 |
| 17 | 43,18 |



EMPFOHLENES LEITERPLATTEN LAYOUT
 RECOMMENDED PCB-LAYOUT

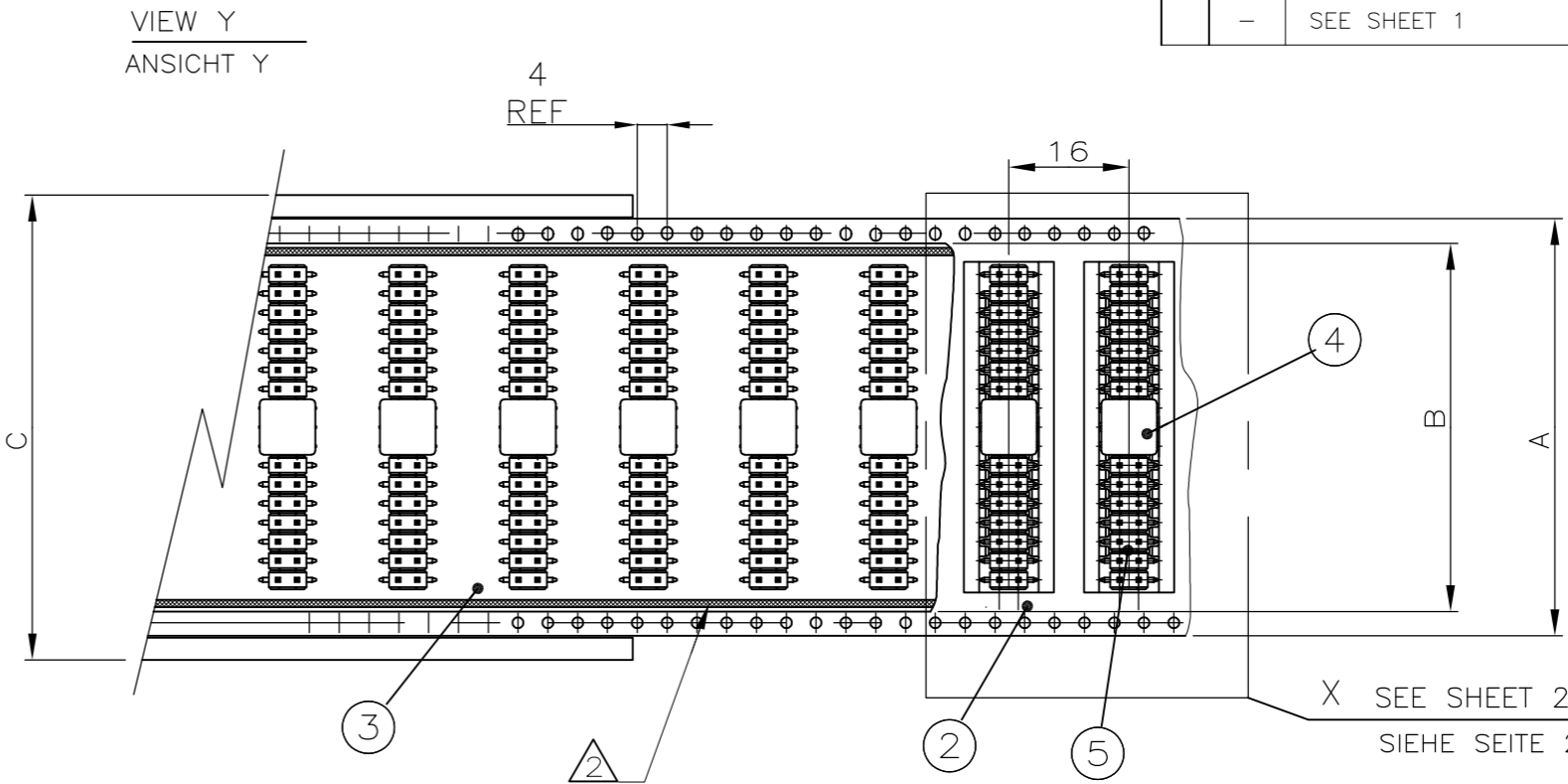
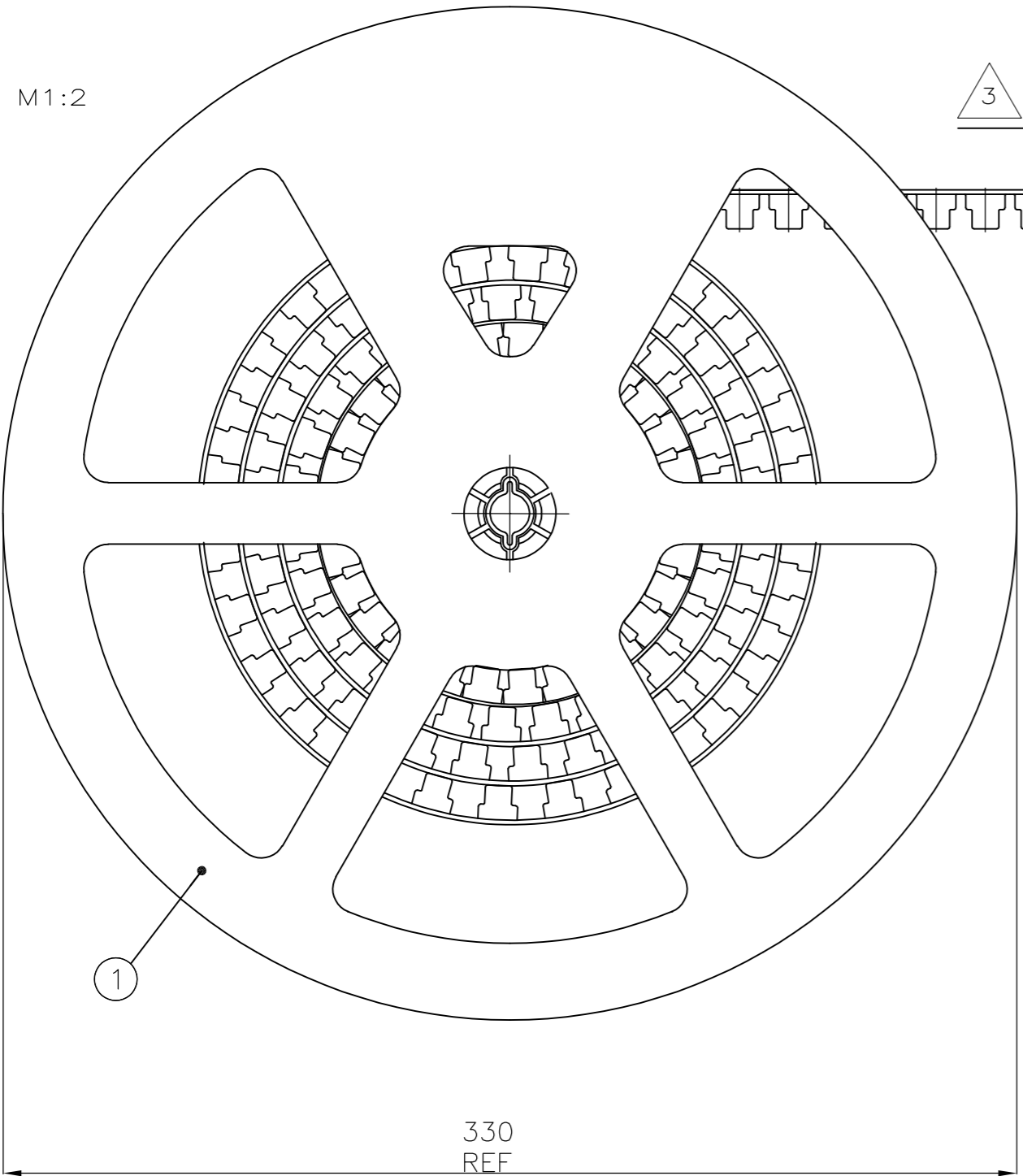


1 MATING SIDE: WITHIN THE RANGE "F" MIN. 0.7µm PdNi + MIN. 0.1µm GOLD FLASH OVER 1.27µm Ni
 SOLDER SIDE: WITHIN THE RANGE "C" MIN. 3.0µm TIN OVER 1.27µm Ni

STECKSEITE: IM BEREICH "F" MIN. 0.7µm PdNi + MIN. 0.1µm GOLD ÜBER 1.27µm Ni
 LÖTSEITE: IM BEREICH "C" MIN. 3.0µm ZINN ÜBER 1.27µm Ni

| | | | |
|--|-----------------------|---------------------------------------|-------|
| KONTAKTSTIFT / CONTACT PIN | Cu Zn | 1 | 2 |
| STIFTGEHÄUSE / PIN HOUSING | PCT-GV | SCHWARZ / BLACK | 1 |
| BENENNUNG EINZELTEIL PART DESCRIPTION | WERKSTOFF MATERIAL | OBERFLÄCHE / FARBE SURFACE / COLOR | SI No |

| | | | | |
|--|--|---|--|--------------------------------|
| THIS DRAWING IS A CONTROLLED DOCUMENT. DIESE ZEICHNUNG IST EIN KONTROLLIERTES DOKUMENT. | | DWN F.REICHARDT 16-SEP-98 | TE Connectivity | |
| DIMENSIONS: MASSENHETEN mm | | CHK M.SCHAARSCHMIDT 16-SEP-98 | NAME | |
| TOLERANCES UNLESS OTHERWISE SPECIFIED: ALLGEMEINTOLERANZEN TOL ± 0.2 | | APVD G.FELDMEIER | PRODUCT SPEC PRODUKTSPEZ 108-18012 | |
| MATERIAL | | APPLICATION SPEC. VERARBEITUNGSSPEZ. | SIZE A2 | CAGE CODE 00779 |
| SEE TABLE SIEHE TABELLE | | WEIGHT GEWICHT | DRAWING NO. ZEICHNUNGS-NR. C=1241050 | |
| FINISH / OBERFLÄCHE / FARBE | | SCALE MASSSTAB 6:1 | | SHEET BLATT 1 OF 3 VON 3 |
| SEE TABLE SIEHE TABELLE | | CUSTOMER DRAWING / KUNDENZEICHNUNG | | RESTRICTED TO NUR FUER B |



NOTES:

▲ SEE SHEET 1 OF 3

▲ PACKING: 350 PINHEADERS WITH ADAPTER PER REEL
 6.8m BLISTER PER REEL
 6.8m COVER TAPE

▲ DIRECTION OF THE TOP OF THE REEL

▲ COVER TAPE WITH BLISTER BELT WELDED

5. PACKING ACCORDING DIN/IEC 286 RESPECTIVE EIA 481
 INCLUSIVE DECLARATIONS ABOUT THE FIRST AND LAST RUNNING
 (DIN/IEC 286 PART 3)

6. ARRANGEMENT OF PIN HEADERS IN BLISTER BELT SEE SHEET 2 OF 3

▲ PACKING: 300 PINHEADERS WITH ADAPTER PER REEL
 6.0m BLISTER PER REEL
 6.0m COVER TAPE

▲ OBSOLETE

BEMERKUNGEN:

▲ SIEHE BLATT 1 VON 3

▲ VERPACKUNG: 350 STIFTLISTEN MIT ADAPTER PRO SPULE
 6.8m BLISTER PRO SPULE
 6.8m ABDECKFOLIE PRO SPULE

▲ ABWICKELRICHTUNG

▲ ABDECKFOLIE MIT BLISTERGURT VERSCHWEIßT

5. VERPACKUNG ENTSPRECHEND DIN/IEC 286 BZW. EIA 481
 INKLUSIVE ANGABEN ÜBER DEN VOR- UND NACHLAUF
 (DIN/IEC 286 TEIL 3)

6. ANORDNUNG DER STIFTLISTEN IM BLISTERGURT SIEHE BLATT 2 VON 3

▲ VERPACKUNG: 300 STIFTLISTEN MIT ADAPTER PRO SPULE
 6.0m BLISTER PRO SPULE
 6.0m ABDECKFOLIE PRO SPULE

| | | | | | | | | | | | | | | | | | | | | | | | | |
|---|---|---|---|---|---|---|---|---|---|---|---|---|---|---|---|---|---|---------|--------------------------|-----------------------------------|-----|---|---|---|
| 1 | | | | | | | | | | | | | | | | | | | 5 | AMPMODU II PIN HEADER,SMD,2x17pos | | ▲ | ▲ | |
| | 1 | | | | | | | | | | | | | | | | | | 5 | AMPMODU II PIN HEADER,SMD,2x16pos | | ▲ | ▲ | |
| | | 1 | | | | | | | | | | | | | | | | | 5 | AMPMODU II PIN HEADER,SMD,2x15pos | | ▲ | ▲ | |
| | | | 1 | | | | | | | | | | | | | | | | 5 | AMPMODU II PIN HEADER,SMD,2x14pos | | ▲ | ▲ | |
| | | | | 1 | | | | | | | | | | | | | | | 5 | AMPMODU II PIN HEADER,SMD,2x13pos | | ▲ | ▲ | |
| | | | | | 1 | | | | | | | | | | | | | | 5 | AMPMODU II PIN HEADER,SMD,2x12pos | | ▲ | ▲ | |
| | | | | | | 1 | | | | | | | | | | | | | 5 | AMPMODU II PIN HEADER,SMD,2x11pos | | ▲ | ▲ | |
| | | | | | | | 1 | | | | | | | | | | | | 5 | AMPMODU II PIN HEADER,SMD,2x10pos | | ▲ | ▲ | |
| | | | | | | | | 1 | | | | | | | | | | | 5 | AMPMODU II PIN HEADER,SMD,2x9pos | | ▲ | ▲ | |
| | | | | | | | | | 1 | | | | | | | | | | 5 | AMPMODU II PIN HEADER,SMD,2x8pos | | ▲ | ▲ | |
| | | | | | | | | | | 1 | | | | | | | | | 5 | AMPMODU II PIN HEADER,SMD,2x7pos | | ▲ | ▲ | |
| | | | | | | | | | | | 1 | | | | | | | | 5 | AMPMODU II PIN HEADER,SMD,2x6pos | | ▲ | ▲ | |
| | | | | | | | | | | | | 1 | | | | | | | 5 | AMPMODU II PIN HEADER,SMD,2x5pos | | ▲ | ▲ | |
| | | | | | | | | | | | | | 1 | | | | | | 5 | AMPMODU II PIN HEADER,SMD,2x4pos | | ▲ | ▲ | |
| | | | | | | | | | | | | | | 1 | | | | | 5 | AMPMODU II PIN HEADER,SMD,2x3pos | | ▲ | ▲ | |
| | | | | | | | | | | | | | | | 1 | | | | 5 | AMPMODU II PIN HEADER,SMD,2x2pos | | ▲ | ▲ | |
| 1 | 1 | 1 | 1 | 1 | 1 | 1 | 1 | 1 | 1 | 1 | 1 | 1 | 1 | 1 | - | 4 | | ADAPTER | | LCP | | ▲ | ▲ | |
| - | - | - | - | - | - | - | - | - | - | - | - | - | - | - | - | 1 | 4 | ADAPTER | | LCP | | ▲ | ▲ | |
| ▲ | ▲ | ▲ | ▲ | ▲ | ▲ | ▲ | ▲ | ▲ | ▲ | ▲ | ▲ | ▲ | ▲ | ▲ | ▲ | ▲ | ▲ | 3 | COVER TAPE/ABDECKFOLIE | B=49.4 | PET | | ▲ | ▲ |
| | | | | | | | | | ▲ | ▲ | ▲ | | | | | | | 3 | COVER TAPE/ABDECKFOLIE | B=37.4 | PET | | ▲ | ▲ |
| | | | | | | | | | ▲ | ▲ | ▲ | ▲ | ▲ | ▲ | ▲ | ▲ | ▲ | 3 | COVER TAPE/ABDECKFOLIE | B=25.4 | PET | | ▲ | ▲ |
| | | | | | | | | | | ▲ | ▲ | ▲ | ▲ | ▲ | ▲ | ▲ | ▲ | 3 | COVER TAPE/ABDECKFOLIE | B=13.4 | PET | | ▲ | ▲ |
| ▲ | ▲ | ▲ | ▲ | ▲ | ▲ | ▲ | ▲ | ▲ | ▲ | | | | | | | | | 2 | BLISTER BELT/BLISTERGURT | A=56.0 | PS | | ▲ | ▲ |
| | | | | | | | | | ▲ | ▲ | ▲ | | | | | | | 2 | BLISTER BELT/BLISTERGURT | A=44.0 | PS | | ▲ | ▲ |
| | | | | | | | | | | ▲ | ▲ | ▲ | ▲ | ▲ | ▲ | ▲ | ▲ | 2 | BLISTER BELT/BLISTERGURT | A=32.0 | PS | | ▲ | ▲ |
| | | | | | | | | | | | ▲ | ▲ | ▲ | ▲ | ▲ | ▲ | ▲ | 2 | BLISTER BELT/BLISTERGURT | A=16.0 | PS | | ▲ | ▲ |
| | | | | | | | | | | | | | | | | | | 1 | REEL | C=62.4 | PS | | ▲ | ▲ |
| | | | | | | | | | | | | | | | | | | 1 | REEL | C=50.4 | PS | | ▲ | ▲ |
| | | | | | | | | | | | | | | | | | | 1 | REEL | C=38.4 | PS | | ▲ | ▲ |
| | | | | | | | | | | | | | | | | | | 1 | REEL | C=22.4 | PS | | ▲ | ▲ |

| | | | | | | | | | | | | | | | | | | | |
|-----|-----|-----|-----|-----|-----|-----|-----|----|----|----|----|----|----|----|----|------|-------------------------|----------|-----------------|
| 1-7 | 1-6 | 1-5 | 1-4 | 1-3 | 1-2 | 1-1 | 1-0 | -9 | -8 | -7 | -6 | -5 | -4 | -3 | -2 | POS. | DESCRIPTION / BENENNUNG | MATERIAL | SURFACE / COLOR |
| ▲ | ▲ | ▲ | ▲ | ▲ | ▲ | ▲ | ▲ | ▲ | ▲ | ▲ | ▲ | ▲ | ▲ | ▲ | ▲ | ▲ | | | |

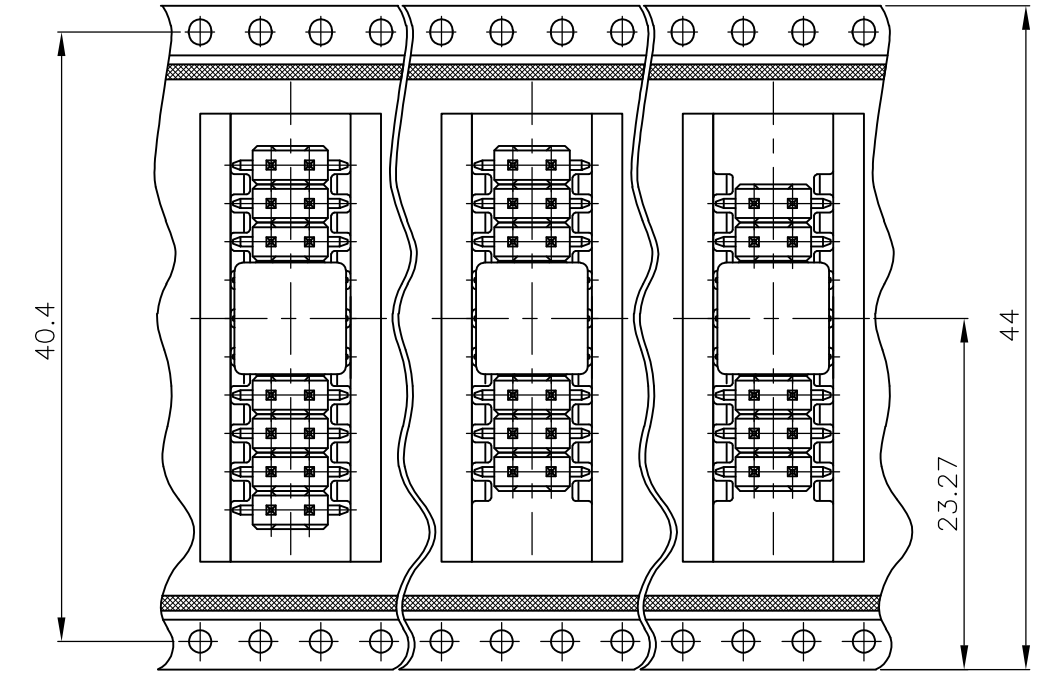
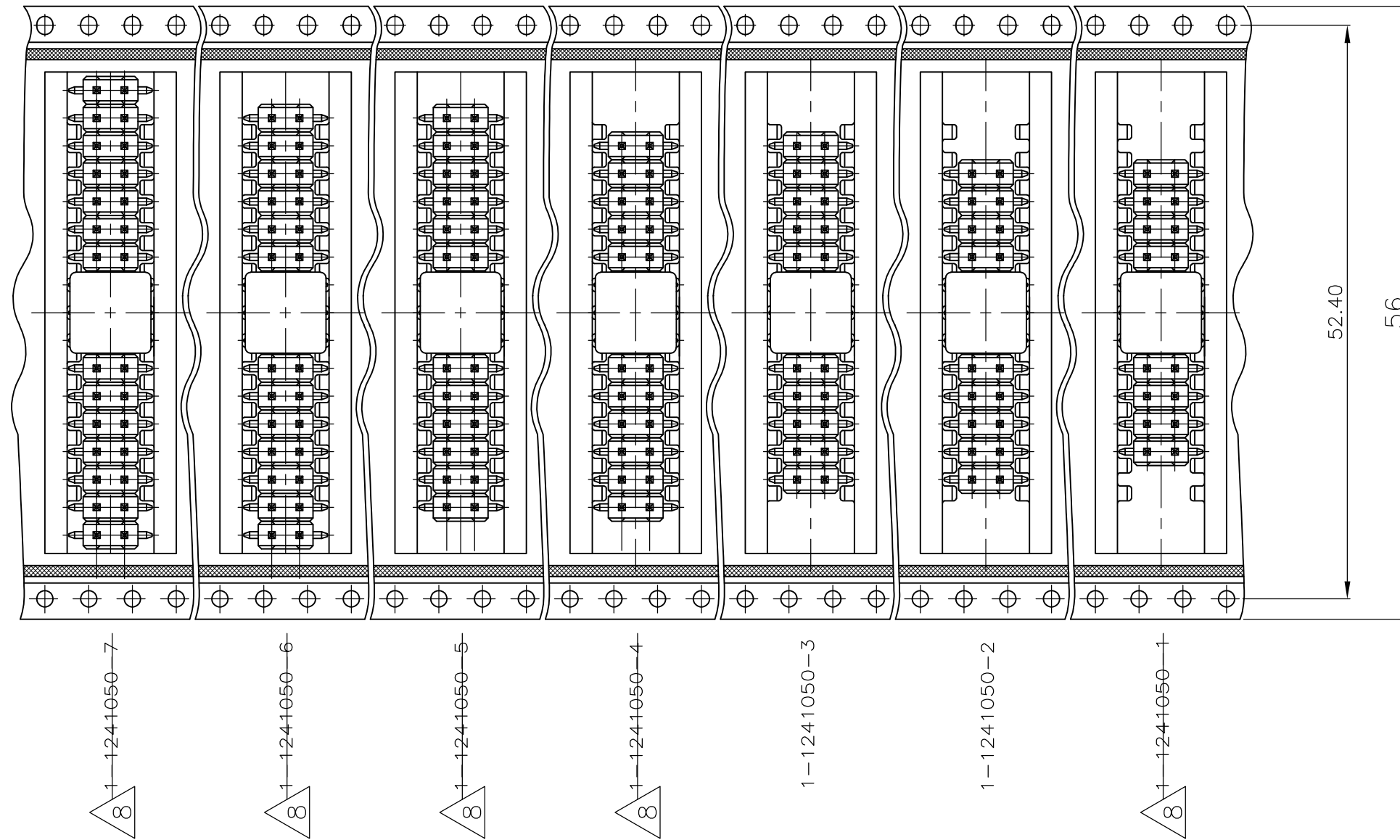
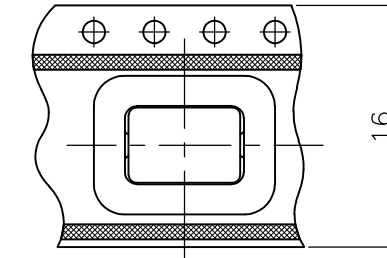
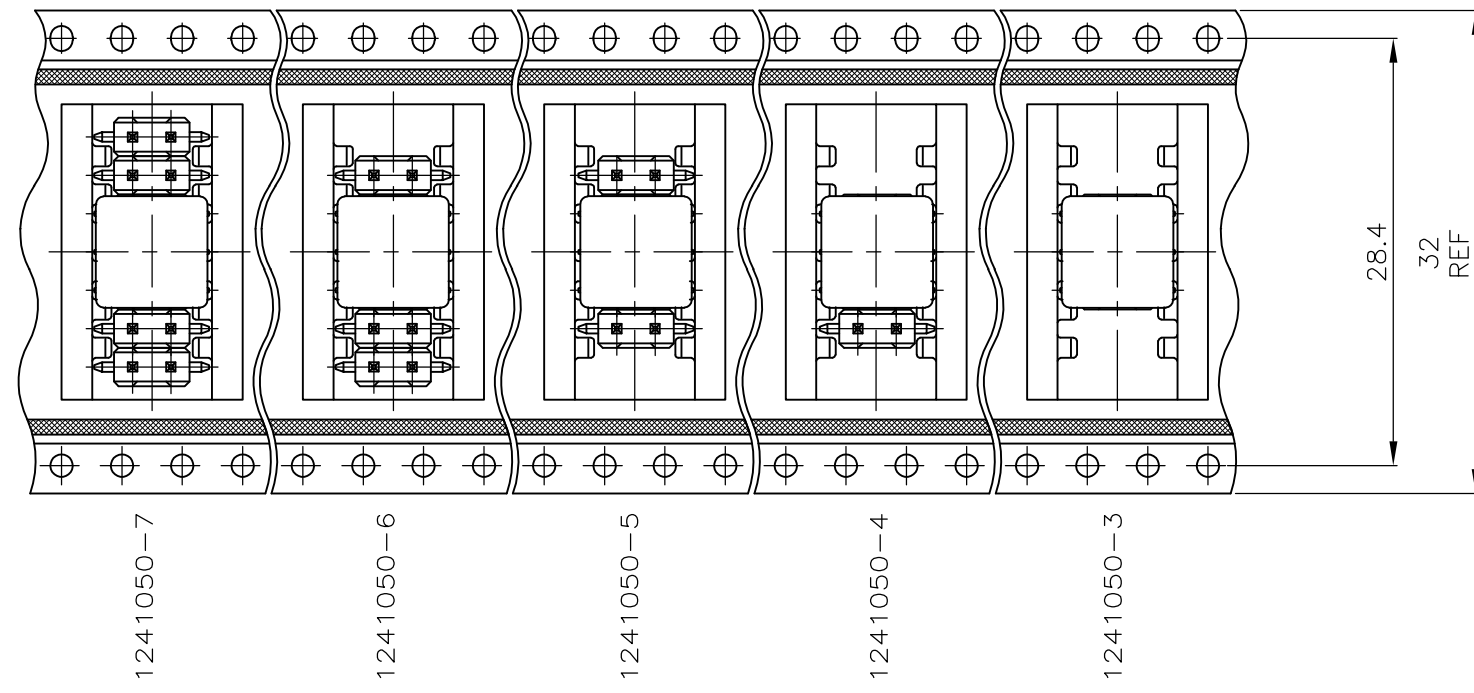
| | | | | |
|--|--|---|---|--------------------|
| THIS DRAWING IS A CONTROLLED DOCUMENT. DIESE ZEICHNUNG IST EIN KONTROLLIERTES DOKUMENT. | | DWN F. REICHARDT 16-SEP-98 | TE Connectivity | |
| DIMENSIONS: MASSENHEITEN mm TOLERANCES UNLESS OTHERWISE SPECIFIED: ALLGEMEINTOLERANZEN | | CHK M. SCHAARSCHMIDT 16-SEP-98 | NAME G. FELDMEIER | |
| 0 PLC ± 0.2 1 PLC ± 0.1 2 PLC ± 0.1 3 PLC ± - 4 PLC ± - ANGLES/WINKEL ± - | | APVD G. FELDMEIER | PRODUCT SPEC 108-18012 | |
| MATERIAL SEE TABLE SIEHE TABELLE | | APPLICATION SPEC. VERARBEITUNGSSPEZ. | SIZE A2 | CAGE CODE 00779 |
| FINISH/OBERFLAECHE/FARBE SEE TABLE SIEHE TABELLE | | WEIGHT - | DRAWING NO. ZEICHNUNGS-NR. C=1241050 | |
| | | CUSTOMER DRAWING / KUNDENZEICHNUNG | SCALE 1:1 | SHEET 2 OF 3 |

THIS DRAWING IS UNPUBLISHED
 VERTRAULICHE UNVERÖFFENTLICHTE ZEICHNUNG
 © COPYRIGHT 2010 By -

RELEASED FOR PUBLICATION
 FREI FUER VERÖFFENTLICHUNG
 ALL RIGHTS RESERVED.
 ALLE RECHTE VORBEHALTEN

SEP, 1998.

| | | | | | | | |
|-----|------|----------|-----|--------------|------|-----|------|
| LOC | DIST | REVISONS | | | DATE | DWN | APVD |
| IR | - | P | LTR | ÄNDERUNGEN | - | - | - |
| | | | | DESCRIPTION | | | |
| | | | | BESCHREIBUNG | | | |
| | | | | SEE SHEET 1 | | | |



| | | | | |
|--|--|--|---|----------------------------|
| THIS DRAWING IS A CONTROLLED DOCUMENT. DIESE ZEICHNUNG IST EIN KONTROLLIERTES DOKUMENT. | | DWN F. REICHARDT 16-SEP-98 | TE Connectivity AMPMODU II PIN HEADER PACKED IN BLISTER AMPMODU II STIFTLISTE VERPACKT IN BLISTER | |
| DIMENSIONS: MASSENHEITEN: mm | | CHK M. SCHAARSCHMIDT 16-SEP-98 | | |
| TOLERANCES UNLESS OTHERWISE SPECIFIED: ALLGEMEINTOLERANZEN | | NAME | | RESTRICTED TO NUR FUER |
| 0 PLC ± 0.2 1 PLC ± 0.1 2 PLC ± 0.1 3 PLC ± - 4 PLC ± - ANGLES / WINKEL ± - FINISH / OBERFLAECHE / FARBE | | PRODUCT SPEC / PRODUKTSPEZ. 108-18012 APPLICATION SPEC. / VERARBEITUNGSSPEZ. | | |
| MATERIAL | | WEIGHT / GEWICHT | SIZE A2 | CAGE CODE 00779 |
| | | DRAWING NO. / ZEICHNUNGS-NR. C=1241050 | | SCALE / MASSSTAB 1:1 |
| | | CUSTOMER DRAWING / KUNDENZEICHNUNG | | SHEET / BLATT 3 OF / VON 3 |
| | | | | REV B |

1241050

Mouser Electronics

Authorized Distributor

Click to View Pricing, Inventory, Delivery & Lifecycle Information:

[TE Connectivity:](#)

[1241050-4](#)