

Push-Through Miniature Bi-Pin Fluorescent Lamp Lampholders

APPLICATION and PERFORMANCE SPECIFICATION

Description: Non-Shunted Lampholders for T5 lamps

- Lampholder Material PBT GF
- Quick connect terminals: 18 AWG Solid and Stranded
- 120W / 600V
- IEC Temperature Rating T140

Type	Ref. #	Lamp Axis (mm)	Stop	Mounting	Drawing	Weight (g)	Packing Unit
09420	505737	15	X	19.5 x 9.7	A	3.4	1000
09421	505739	15	-	19.5 x 9.7	A	3.3	1000
09432	545933	20	X	19.5 x 9.7	B	3.6	1000
09433	545935	20	-	19.5 x 9.7	B	3.6	1000
09434	545937	25	X	19.5 x 9.7	C	3.9	1000
09435	545939	25	-	19.5 x 9.7	C	3.9	1000
09426	505745*	35	X	19.5 x 9.7	D	4.5	1000
09427	505746*	35	-	19.5 x 9.7	D	4.5	1000

* Foot: PC Body and Rotor: PBT

Physical Parameters

- For wall thickness from 0.020" - 0.059"
- Please see drawings

Safety:

- cUL_{US} listed - Indoor Use (E110363)
- VDE/ENEC Approved

Performance:

- Meets ANSI Standard C81.62-2009
- Meets IEC Standard 60400
- Lampholders meet IP20 standard

Warranty:

Universal Lighting Technologies warrants to the purchaser that each lampholder will be free from defects in material or workmanship for a period of 3 years from date of manufacture when properly installed and under normal conditions of use. Call **1-800-BALLASTx800** for technical assistance.

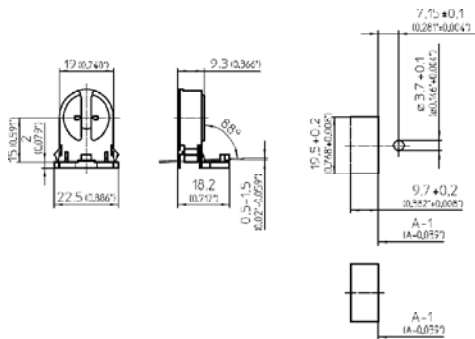


Figure A

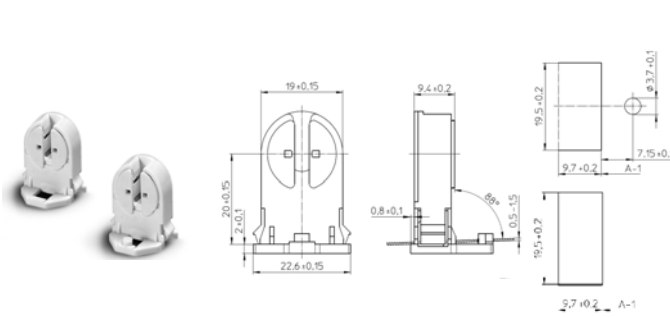


Figure B

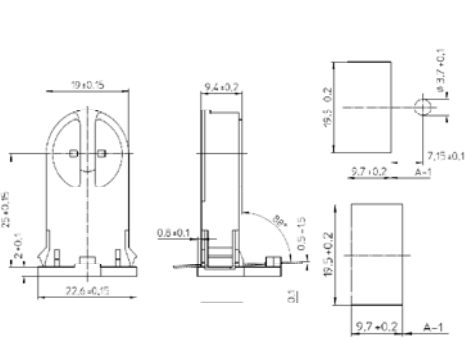


Figure C

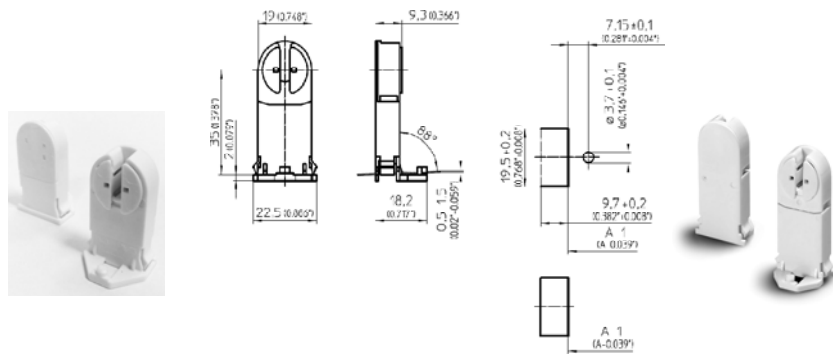


Figure D