

Tubing holders/straps

FESTO



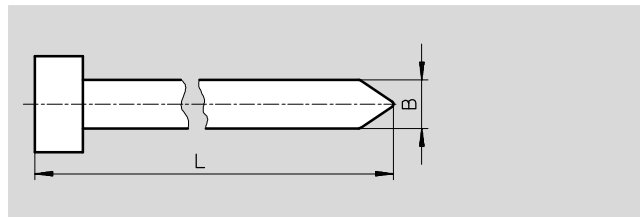
Tubing holders/straps PB, PKB, PKS

Technical data

Tubing strap PB

for bundling together several tubes

Material:
Polyamide



Dimensions and ordering data							
Max. bundle Ø [mm]	Thickness [mm]	B	L	Weight/piece [g]	Part No.	Type	PU ¹⁾
30	0.9	3.4	140	2	6741	PB-140	10
45	1.2	4.6	172	3	6742	PB-172	10
100	1.2	4.8	378	4	6743	PB-378	10

1) Packaging unit quantity

Spiral wrap for tubing

PKB-50-BL

for bundling together several tubes

Material:
Polyethylene



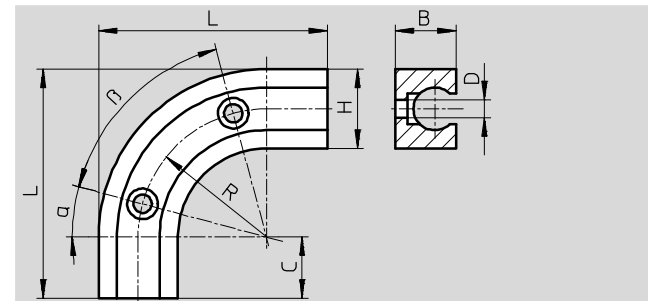
Dimensions and ordering data					
Accepts tubing bundle of max. Ø 50 mm	Colour	Weight [g/m]	Part No.	Type	PU ¹⁾ [m]
60 3 mm tubing	blue	10	3656	PKB-50-BL	50
50 4 mm tubing					
28 6 mm tubing					
13 9 mm tubing					

1) Packaging unit

Tubing support PKS

for tidy tubing layouts and the prevention of kinks

Material: PA



Dimensions and ordering data												
For tubing O.D. [mm]	B	C	D	H	L	R	α	β	Weight/piece [g]	Part No.	Type	PU ¹⁾
6	8	8	2	10	23	10	–	90°	2.1	4132	PKS-4	10
8	10	10	3	13	37.5	21	15°	60°	5.5	4133	PKS-6	10
11	13.5	15	3	16.5	59	35.75	15°	60°	14.3	4134	PKS-9	10

1) Packaging unit quantity

Tubing holders/straps KK

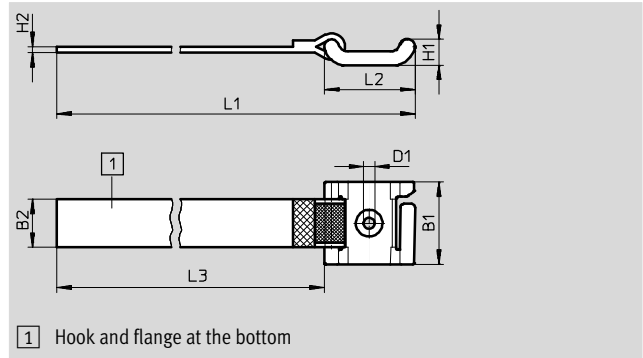
Technical data

Tubing support NPAW

Reliable, durable mounting component for laying cables and tubing in electrical and pneumatic installations in the fields of equipment manufacturing, as well as heating, air-conditioning and ventilation technology.

Ambient temperature:
-30 ... +80 °C

Note on materials:
RoHS-compliant

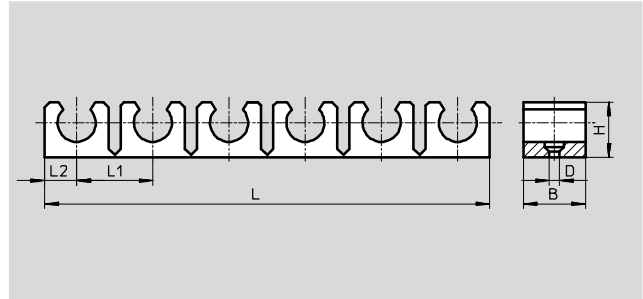
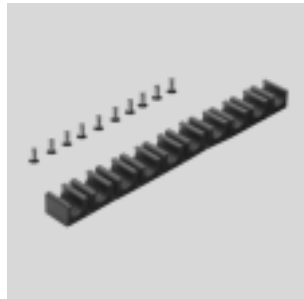


Dimensions and ordering data											
B1	B2	D1	H1	H2	L1	L2	L3	Weight/piece	Part No.	Type	PU ¹⁾
±0.7	±1.5		±0.3	±0.5		+0.5/-1.5	±5	[g]			
34	20	4.6	10.7	2	122.5	30	92.5	6.7	554026	NPAW-S-T3	10
34	20	4.6	10.7	2	208.5	37	171.5	8.4	554027	NPAW-S-T4	10
34	20	4.6	10.7	2	216.5	45	171.5	9.6	554028	NPAW-S-T6	10

1) Packaging unit quantity

Multi-tube holder KK for securing tubing

Note on materials:
RoHS-compliant



Dimensions and ordering data											
For tubing O.D.	Number of clamps	B	D	H	L	L1	L2	Weight/piece	Part No.	Type	PU ¹⁾
[mm]			∅					[g]			
4.3	10	12	2	9	98.6	10	4.3	1	3635	KK-3	10
6	9	14	3	9	94	10.5	5	5	2147	KK-4	10
8	10	14	3	11	142.5	14.5	6	10	2148	KK-6	10
11.5	6	18	3	16	128.5	22	9.25	18	2149	KK-9	10
17.6	4	20	5	23	117	30	13.5	52	4463	KK-13	10

1) Packaging unit quantity