

Automotive Rocker Switch

Q-1519

TYPE: **RS-223-4C**

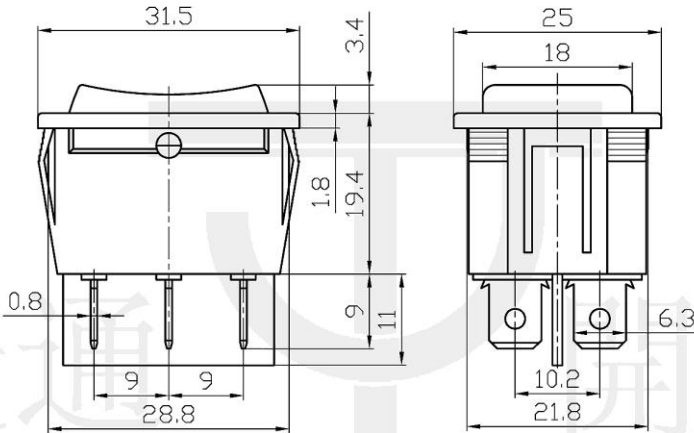
Cap marking



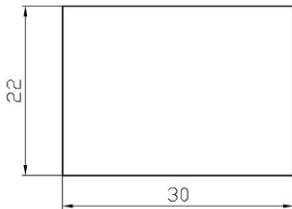
SPECIFICATIONS

Contact Type: DPDT
 Rating: 35A 12V DC
 Contact R: 35mΩ max
 Insulation R: 500V DC 100MΩ min
 Dielectric Strength: 1 Minute 1500V AC
 Operating Temperature: -25°C ~ +85°C
 Electrical Life: 10, 000 Cycles

Outline Drawing



Mounting



Circuitry

