

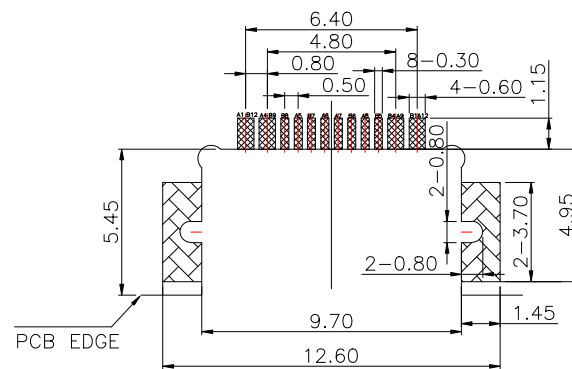
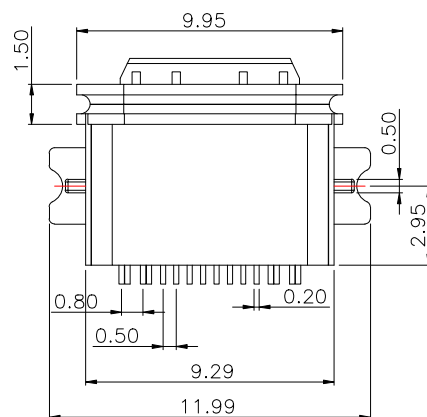
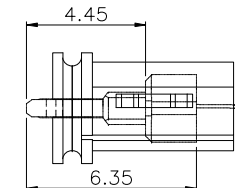
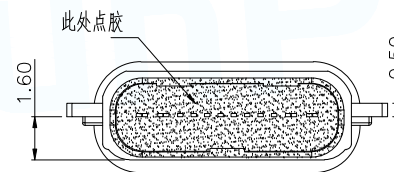
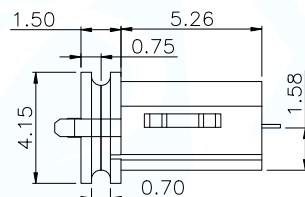
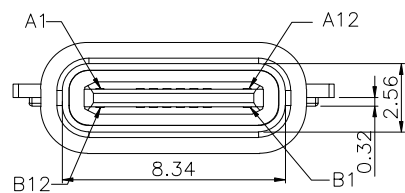
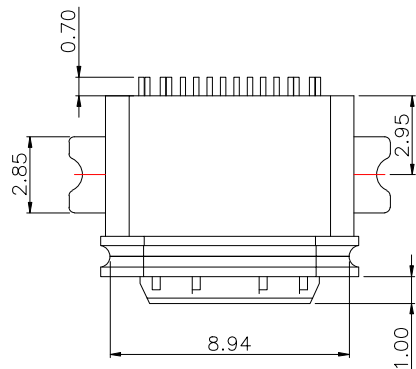
加防水圈示意图

NOTES:

SPECIFICATION:

1. CURRENT RATING: 3.0A MAX
2. VOLTAGE: 30 VAC
3. TEMPERATURE RANGE: -30 °C ~ 85 °C
4. CONTACT RESISTANCE: 40 MILLIONHM MAX
5. INSULATION RESISTANCE: 100 MEGOHMS MIN.
6. INSERTION FORCE : 5N~20N
7. UNMATING FORCE: 8N~20N
8. DURABILITY: 10,000 CYCLES
9. WATER PROOFNESS: THIS PRODUCT IS BASED ON IPX7.

- 1.1 Housing: LCP
- 1.2 Contact: C2680, t=0.20mm
- 1.3 Shell: Zinc Alloy.



RECOMMENDED P.C.B. LAYOUT  
TOLERANCE UNSPECIFIED ±0.05mm

A1	GND	B12	GND
A4	VBUS	B9	VBUS
A5	CC1	B8	SBU2
A6	DP1	B7	DN2
A7	DN1	B6	DP2
A8	SBU1	B5	CC2
A9	VBUS	B4	VBUS
A12	GND	B1	GND
PIN	SIGNAL NAME	PIN	SIGNAL NAME

MANUFACTURE DWG

东莞市讯普电子科技有限公司  
DongGuan XunPu Electronics Co.,Ltd

UNLESS OTHERWISE SPECIFIED TOLERANCES



TITLE: TYPE-C 16pin 沉板1.6压铸防水(舌片外露)

DECIMALS: ANGLES:

.X: ±0.20 X': ±2°

.XX: ±0.15 .X': ±0.5°

.XXX: ±0.05

PAR TYPEC-318A-ARP16X7SC16

DWN

CHKD

APVD

SCALE 1:1 UNIT: MM

SIZE: A4 SHEET: 1F1

REV: A

CUSTOMER COPY