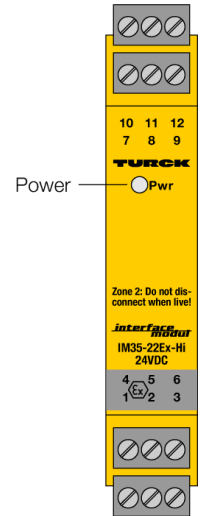
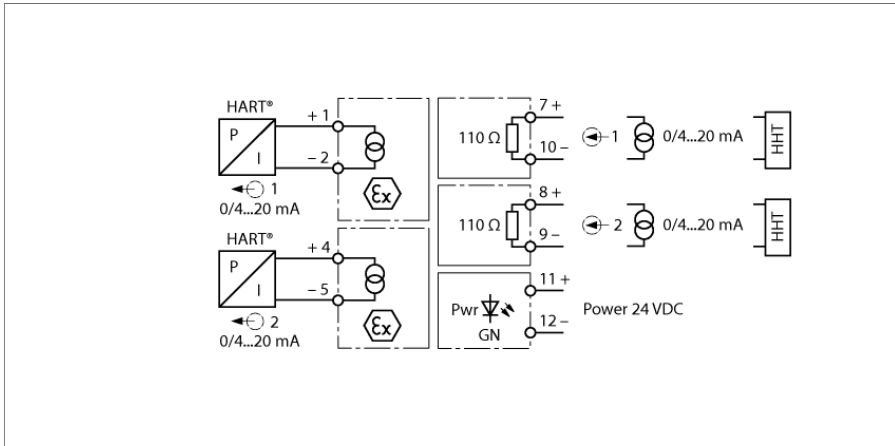


**Analog signal isolator
2-channel
IM35-22EX-HI/24VDC**



The 2-channel signal isolator IM35-22EX-HI/24VDC is designed to transmit the normalized current signal galvanically isolated 1:1 from the non-Ex area to the Ex-area. Besides the analog signals, digital HART[®] communication signals can also be transmitted bidirectionally.

Typical applications are for example, the control of I/P converters (at control valves for example) or indicators in the Ex-area.

The actuators are connected to the output terminals 1/2 and 4/5. Handheld terminals [HHT] can be connected to the output and input terminals 7/10 and 8/9.

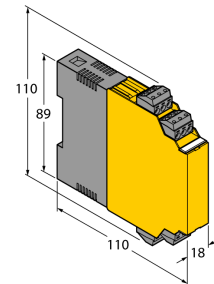
In addition, the removable terminal blocks are equipped with 2 mm test sockets for signal control.

- ATEX, IECEx, UL, ^oFM_{us}, TR CU
- Installation in zone 2
- Intelligent actuators supplied via HART[®] communication interface
- Input circuits: 0/4...20 mA
- Output circuits: 0/4...20 mA, intrinsically-safe
- SIL2
- Removable terminal blocks, screwable, with 2 mm test box
- Complete galvanic isolation

**Analog signal isolator
2-channel
IM35-22EX-HI/24VDC**

Type code	IM35-22EX-HI/24VDC															
Ident no.	7506515															
Nominal voltage	24 VDC															
Operating voltage range	19...29 VDC															
Power consumption	≤ 2.2 W															
Current input	0/4...20 mA															
Input resistance (current)	≤ 110 Ω															
Output circuits																
Output current	0/4...20 mA															
Load resistance, current output	≤ 0.6 kΩ															
Rise time (10-90%)	≤ 90 ms															
Dropout time (90...10%)	≤ 90 ms															
Measuring accuracy	≤ 0.1 % of full scale															
Reference temperature	23 °C															
Temperature drift	≤ 0.005 % / K															
Galvanic isolation																
Test voltage	4.0 kV															
Important note	For safety applications the values specified in the safety manual or the relevant Ex certificates (ATEX, IECEx, UL, etc.) apply.															
Ex approval acc. to conformity certificate	TÜV 03 ATEX 2311															
Application area	II (1) G, II (1) D															
ignition protection category	[Ex ia Ga] IIC; [Ex ia Da] IIIC															
Max. values:	Terminal connection: 1+2 / 4+5															
Max. output voltage U _o	≤ 15.9 V															
Max. output current I _o	≤ 60 mA															
Max. output power P _o	≤ 470 mW															
Internal resistance R _i	528 Ω															
Characteristic	Trapezoidal															
Internal inductance/capacitance L/C _i	Li=negligibly small; Ci=5nF															
External inductance/capacitance L _e /C _e																
	<table border="1"> <thead> <tr> <th>Ex ia</th> <th colspan="2">IIC</th> <th colspan="2">IIB</th> </tr> </thead> <tbody> <tr> <td>Lo [mH]</td> <td>5</td> <td>0.5</td> <td>10</td> <td>0.5</td> </tr> <tr> <td>Co [nF]</td> <td>135</td> <td>330</td> <td>860</td> <td>2200</td> </tr> </tbody> </table>	Ex ia	IIC		IIB		Lo [mH]	5	0.5	10	0.5	Co [nF]	135	330	860	2200
Ex ia	IIC		IIB													
Lo [mH]	5	0.5	10	0.5												
Co [nF]	135	330	860	2200												
Ex approval acc. to conformity certificate	TÜV 06 ATEX 553057 X															
Application area	II 3 G															
Protection type	Ex nA [ic Gc] IIC T4 Gc															
Max. values:	Terminal connection: 1+2 / 4+5															
Max. output voltage U _o	≤ 15.9 V															
Max. output current I _o	≤ 60 mA															
Max. output power P _o	≤ 470 mW															
Internal resistance R _i	528 Ω															
Characteristic	trapezoidal															
Internal inductance/capacitance L/C _i	Li=negligibly small; Ci=5nF															
External inductance/capacitance L _e /C _e																
	<table border="1"> <thead> <tr> <th>Ex ic</th> <th colspan="2">IIC</th> <th colspan="2">IIB</th> </tr> </thead> <tbody> <tr> <td>Lo [mH]</td> <td>5</td> <td>0.5</td> <td>10</td> <td>0.5</td> </tr> <tr> <td>Co [nF]</td> <td>290</td> <td>640</td> <td>1700</td> <td>3900</td> </tr> </tbody> </table>	Ex ic	IIC		IIB		Lo [mH]	5	0.5	10	0.5	Co [nF]	290	640	1700	3900
Ex ic	IIC		IIB													
Lo [mH]	5	0.5	10	0.5												
Co [nF]	290	640	1700	3900												
Approval	SIL 2 acc. to EXIDA FMEDA															
MTTF	162 years acc. to SN 29500 (Ed. 99) 40 °C															
Indication																
Operational readiness	green															

Dimensions



**Analog signal isolator
2-channel
IM35-22EX-HI/24VDC**

IP Rating	IP20
Flammability class acc. to UL 94	V-0
Ambient temperature	-25 ... +70 °C -25 ... +60 °C für UL, FM
Storage temperature	-40...+80°C
Dimensions	110 x 18 x 110 mm
Weight	163 g
Mounting instruction	for DIN rail / panel
Housing material	polycarbonate/ABS
Electrical connection	4 x 3-pin removable terminal blocks with test socket, reverse polarity protected, screw connection
Terminal cross-section	1 x 2.5 mm ² / 2 x 1.5 mm ²
Tightening torque	0.5 Nm

Accessories

Type code	Ident no.	Description	Design
IM-CC-3X2BU/2BK	6900475	Cage clamp terminals for IM modules (Ex-devices with 18 mm overall width); includes: 2 pcs. 3-pin blue terminals and 2 pcs. 3-pin black terminals.	