

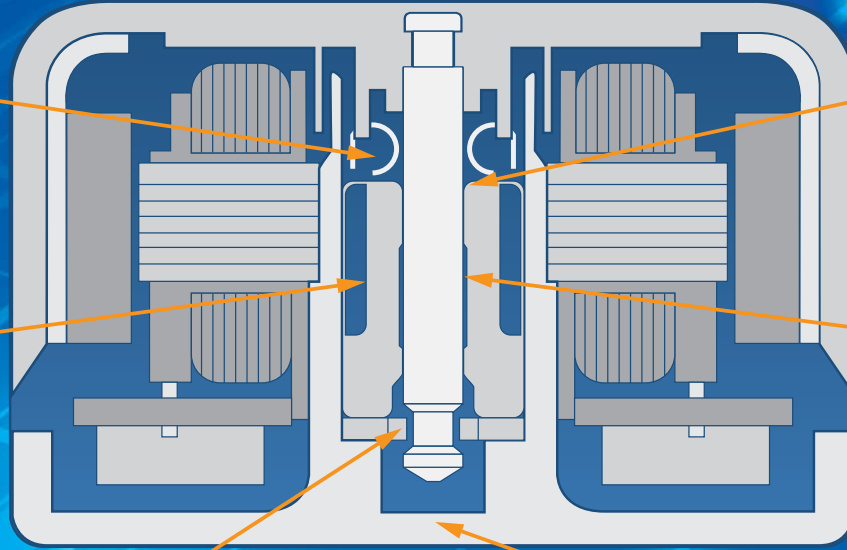
Superflo Fan Construction

Lubricant
Re-Cycling

Non-Friction

Lubricant
Storage Groove

Lubricant
Storage Groove



Non-Friction

Sealing



Superflo Bearing Fans

Extensively improved sleeve bearing system. Best value fan choice for performance desktop, workstation, and other consumer electronics.

- Redesigned sealing and oil flow paths
- Greatly reduced friction and noise
- Better acoustic performance over 2-ball bearing fans at low speed operation
- Superb anti-shock
- Operating life guarantee (L10) 50,000 hours at 40C minimum
- Wide applicable temperature range

www.delta-fan.com | dcfansales.us@deltaww.com

 **DELTA**
Smarter. Greener. Together.

| Part Number | Dimension (mm) | Operating Voltage Range (VDC) | Voltage (VDC) | Bearing type | Current (A) | Power (W) | Speed (RPM) | Noise (dB-A) | Air Flow (CFM) | Air Pressure (in H2O) |
|-----------------|----------------|-------------------------------|---------------|--------------|-------------|-----------|-------------|--------------|----------------|-----------------------|
| AUB0412HDYFM | 40x40x20 | 7.0~13.8 | 12 | superflo | 0.08 | 0.96 | 6200 | 22 | 8.01 | 0.17 |
| AUB0512HB | 50x50x15 | 7.0~13.8 | 12 | superflo | 0.1 | 1.2 | 5600 | 32 | 14.13 | 0.24 |
| AUB0512HB-F00 | 50x50x15 | 7.0~13.8 | 12 | superflo | 0.1 | 1.2 | 5600 | 32 | 14.13 | 0.24 |
| AUB0512HHB-F00 | 50x50x15 | 7.0~13.8 | 12 | superflo | 0.13 | 1.56 | 6400 | 36 | 16.24 | 0.32 |
| AUB0512LB | 50x50x15 | 7.0~13.8 | 12 | superflo | 0.06 | 0.72 | 4000 | 24 | 9.89 | 0.13 |
| AUB0512LB-AYCX | 50x50x15 | 6.0~13.2 | 12 | Superflo | 0.04 | 0.48 | 3800 | 20 | 10.02 | 0.1 |
| AUB0512MB-F00 | 50x50x15 | 7.0~13.8 | 12 | superflo | 0.08 | 0.96 | 4800 | 28 | 12.36 | 0.18 |
| AUB0524HB | 50x50x15 | 14.0~27.8 | 24 | superflo | 0.07 | 1.68 | 5600 | 32 | 14.13 | 0.24 |
| AUB0524LB | 50x50x15 | 14.0~27.8 | 24 | superflo | 0.05 | 1.2 | 4000 | 24 | 9.89 | 0.13 |
| AUB0524MB | 50x50x15 | 14.0~27.8 | 24 | superflo | 0.06 | 1.44 | 4800 | 28 | 12.36 | 0.18 |
| AUB0505HD | 50x50x20 | 4.5~5.5 | 5 | superflo | 0.33 | 1.65 | 5600 | 28 | 17.13 | 0.23 |
| AUB0524HD | 50x50x20 | 14.0~27.6 | 24 | superflo | 0.07 | 1.68 | 5600 | 28 | 17.13 | 0.23 |
| AUB0524HHD | 50x50x20 | 14.0~27.6 | 24 | superflo | 0.09 | 2.16 | 6400 | 32.5 | 20.13 | 0.29 |
| AUB0524LD | 50x50x20 | 14.0~27.6 | 24 | superflo | 0.05 | 1.2 | 4000 | 18.5 | 12 | 0.11 |
| AUB0524MD | 50x50x20 | 14.0~27.6 | 24 | superflo | 0.06 | 1.44 | 4800 | 24 | 14.83 | 0.17 |
| AUB0524VHD | 50x50x20 | 14.0~27.6 | 24 | superflo | 0.1 | 2.4 | 7000 | 35.5 | 21.54 | 0.34 |
| AUB0612HB-A | 60x60x15 | 7.0~13.8 | 12 | superflo | 0.06 | 0.72 | 3000 | 23.5 | 15.24 | 0.09 |
| AUB0612HHB | 60x60x15 | 7.0~13.8 | 12 | superflo | 0.14 | 1.68 | 4500 | 35 | 17.3 | 0.2 |
| AUB0612HHB-A | 60x60x15 | 7.0~13.8 | 12 | superflo | 0.13 | 1.56 | 4500 | 33 | 23.39 | 0.19 |
| AUB0624HB | 60x60x15 | 14~27.6 | 24 | superflo | 0.06 | 1.44 | 4000 | 32 | 15.36 | 0.16 |
| AUB0624HHB | 60x60x15 | 14~27.6 | 24 | superflo | 0.07 | 1.68 | 4500 | 35 | 17.3 | 0.2 |
| AUB0624MB | 60x60x15 | 14~27.6 | 24 | superflo | 0.05 | 1.2 | 3500 | 29 | 13.45 | 0.12 |
| AUB0612H | 60x60x25 | 7.0~13.8 | 12 | superflo | 0.12 | 1.44 | 4250 | 28 | 19.42 | 0.19 |
| AUB0612H-A | 60x60x25 | 4.0~13.8 | 12 | superflo | 0.13 | 1.56 | 4200 | 35 | 21.19 | 0.2 |
| AUB0612H-F00 | 60x60x25 | 7.0~13.8 | 12 | superflo | 0.12 | 1.44 | 4250 | 28 | 19.42 | 0.19 |
| AUB0612HH-A | 60x60x25 | 4.0~13.8 | 12 | superflo | 0.2 | 2.4 | 5000 | 40 | 25.43 | 0.28 |
| AUB0612HH-AF00 | 60x60x25 | 4.0~13.8 | 12V | superflo | 0.2 | 2.4 | 5000 | 40 | 25.43 | 0.28 |
| AUB0612L-A | 60x60x25 | 4.0~13.8 | 12V | superflo | 0.07 | 0.84 | 3100 | 26.5 | 13.77 | 0.1 |
| AUB0612M-A | 60x60x25 | 4.0~13.8 | 12V | superflo | 0.09 | 1.08 | 3600 | 31 | 18.36 | 0.15 |
| AUB0612VH-AF00 | 60x60x25 | 4.0~13.8 | 12V | superflo | 0.24 | 2.88 | 5500 | 42.5 | 29.31 | 0.35 |
| AUB0612VH-AIT | 60x60x25 | 4.0~13.8 | 12V | superflo | 0.24 | 2.88 | 5500 | 42.5 | 29.31 | 0.35 |
| AUB0712H-A | 70x70x25 | 5.0~13.8 | 12V | superflo | 0.2 | 2.4 | 3900 | 36 | 36.02 | 0.26 |
| AUB0812HB-AR00 | 80x80x15 | 5.0~13.8 | 12V | superflo | 0.15 | 1.8 | 3100 | 35 | 36.36 | 0.14 |
| AUB0812LB-AR00 | 80x80x15 | 5.0~13.8 | 12V | superflo | 0.1 | 1.2 | 2400 | 27 | 27.53 | 0.08 |
| AUB0812VHB-AF00 | 80x80x15 | 5.0~13.2 | 12V | superflo | 0.25 | 3 | 3700 | 40.5 | 42.71 | 0.19 |
| AUB0824HB-A | 80x80x15 | 10.0~27.6 | 24V | superflo | 0.1 | 2.4 | 3100 | 35 | 36.36 | 0.14 |
| AUB0824HHB-A | 80x80x15 | 10.0~27.6 | 24V | superflo | 0.12 | 2.88 | 3400 | 38 | 39.18 | 0.17 |
| AUB0824MB-A | 80x80x15 | 10.0~27.6 | 24V | superflo | 0.08 | 1.92 | 2700 | 31 | 31.42 | 0.11 |
| AUB0812HHDXH | 80x80x20 | 10.8~12.6 | 12V | Superflo | 0.3 | 3.6 | 4500 | 43 | 51.46 | 0.29 |
| AUB0812H-A | 80x80x25 | 7.0~13.8 | 12V | superflo | 0.18 | 2.16 | 3000 | 34 | 38.83 | 0.18 |
| AUB0812H-AF00 | 80x80x25 | 7.0~13.8 | 12V | superflo | 0.18 | 2.16 | 3000 | 34 | 38.83 | 0.18 |
| AUB0812HH-A | 80x80x25 | 7.0~13.8 | 12V | superflo | 0.21 | 2.52 | 3250 | 35.5 | 42.36 | 0.21 |
| AUB0812L-9X41 | 80x80x25 | 10.8~13.8 | 12V | superflo | 0.09 | 1.08 | 2400 | 25 | 27.9 | 0.1 |
| AUB0812L-A | 80x80x25 | 7.0~13.8 | 12V | superflo | 0.11 | 1.32 | 2400 | 28 | 31.06 | 0.12 |
| AUB0812M-A | 80x80x25 | 7.0~13.8 | 12V | superflo | 0.15 | 1.8 | 2700 | 32 | 35.3 | 0.15 |
| AUB0812VH-AF00 | 80x80x25 | 7.0~13.8 | 12V | superflo | 0.27 | 3.24 | 3600 | 39 | 46.6 | 0.26 |
| AUB0812VH-AIT | 80x80x25 | 7.0~13.8 | 12V | superflo | 0.27 | 3.24 | 3600 | 39 | 46.6 | 0.26 |
| AUB0812VH-SP00 | 80x80x25 | 10.8~13.2 | 12V | superflo | 0.19 | 2.28 | 3600 | 39 | 42.02 | 0.22 |
| AUB0912H-A | 92x92x25 | 5.0~13.8 | 12V | superflo | 0.21 | 2.52 | 2800 | 38 | 59.89 | 0.19 |
| AUB0912H-C | 92x92x25 | 7.0~13.8 | 12V | superflo | 0.25 | 3 | 2800 | 38 | 56.66 | 0.18 |
| AUB0912HH-CF00 | 92x92x25 | 7.0~13.8 | 12V | superflo | 0.33 | 3.96 | 3200 | 41 | 62.13 | 0.22 |
| AUB0912L-C | 92x92x25 | 7.0~13.8 | 12V | superflo | 0.11 | 1.32 | 2000 | 27 | 39.36 | 0.09 |
| AUB0912M-C | 92x92x25 | 7.0~13.8 | 12V | superflo | 0.16 | 1.92 | 2400 | 33 | 46.81 | 0.13 |
| AUB0912VH-CF00 | 92x92x25 | 7.0~13.8 | 12V | superflo | 0.4 | 4.8 | 3600 | 45 | 72.01 | 0.29 |
| AUB0912VH-CX09 | 92x92x25 | 10.8~13.2 | 12V | superflo | 0.38 | 4.56 | 3800 | 45 | 67.8 | 0.3 |
| AUB0924VH-A | 92x92x25 | 14.0~26.4 | 24V | superflo | 0.25 | 6 | 3800 | 46 | 81.47 | 0.35 |
| AUB1212H-CK15 | 120x120x25 | 10.8~13.2 | 12V | superflo | 0.27 | 3.24 | 2200 | 38 | 88.6 | 0.16 |
| KSB0405HB7JD * | OD 40 x 8.5 | 3.0~5.5 | 5 | superflo | 0.16 | 0.8 | 3150 | 31 | 1.19 | 0.09 |

* Modified superflo.

Design and specifications are subject to change without notice. Rev. 06/2019

Mouser Electronics

Authorized Distributor

Click to View Pricing, Inventory, Delivery & Lifecycle Information:

Delta Electronics:

[AUB0924VH-A](#) [AUB0612VH-AIT](#) [AUB0524VHD](#) [AUB0912VH-CX09](#) [AUB0612HHB-A](#) [AUB0505HD-R00](#)
[AUB0512HHD](#) [AUB0624HB](#) [AUB0624MB-AF00](#) [AUB0524MB-R00](#) [AUB0524HHD-F00](#) [AUB0624HHB](#)
[AUB0612HHB-AR00](#) [AUB0524HB](#) [AUB0524HHB-F00](#) [AUB0624LB-A](#) [AUB0524MD-R00](#) [AUB0524HD](#)
[AUB0524VHD-R00](#) [AUB0512HHD-F00](#) [AUB0524LB-F00](#) [AUB0612H-A](#) [AUB0912L-C](#) [AUB0524MD-F00](#)
[AUB0524MB-F00](#) [AUB0612HHB-AF00](#) [AUB0524HHB](#) [AUB0524LD-F00](#) [AUB0612HH-AF00](#) [AUB0624MB-A](#)
[AUB0624HB-R00](#) [AUB0612HB-A](#) [AUB0912M-C](#) [AUB0624LB-AR00](#) [AUB0524HB-R00](#) [AUB0624HHB-R00](#)
[AUB0524HHD-R00](#) [AUB0512HHD-R00](#) [AUB0524LD](#) [AUB0612L-A](#) [AUB0524LD-R00](#) [AUB0624HB-F00](#)
[AUB0524VHD-F00](#) [AUB0524MB](#) [AUB0912H-A](#) [AUB0624HHB-F00](#) [AUB0505HD](#) [AUB0912HH-CF00](#) [AUB0612HH-A](#)
[AUB0524LB-R00](#) [AUB0524HD-F00](#) [AUB0912H-C](#) [AUB0624LB-AF00](#) [AUB0612VH-AF00](#) [AUB0612H-AF00](#)
[AUB0612M-A](#) [AUB0524LB](#) [AUB0912VH-CF00](#) [AUB0524HHD](#) [AUB0524HD-R00](#) [AUB0505HD-F00](#) [AUB0524HHB-](#)
[R00](#) [AUB0624MB-AR00](#) [AUB0524HB-F00](#) [AUB0524MD](#) [AUB0812HHDXH](#)