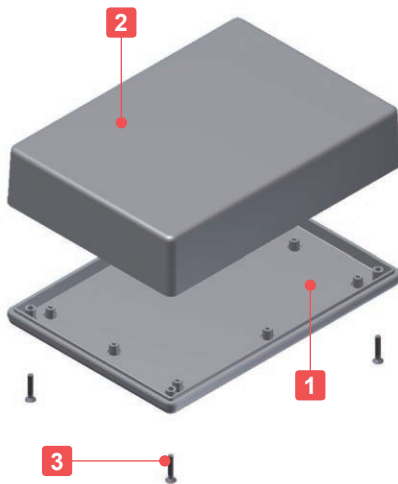


**Technical Data**

Protection class: IP40  
 Operating temperature: -10°C ~ +60°C



- Universal plastic enclosure with screw fastening.
- Selectable in 26 sizes in 3 colors ; Light gray, Black and Off-white.
- Suitable for measuring instruments, testing devices, wireless communication devices, medical devices, and so on.

**Components**

No.	Part name	Pcs	Material : Color / Finish
1	Cover	1	TW : ABS UL94HB / Light gray • Black
			TWN : ABS UL94V-0 / Off-white
2	Bottom base	1	TW : ABS UL94HB / Light gray • Black
			TWN : ABS UL94V-0 / Off-white
3	Self tapping screw	2/4	TW : Steel / Trivalent chromate • Black trivalent chromate
			TWN : Steel / Nickel plated

**APPLICATION EXAMPLE**

**Accessories (Optional parts)**



Silicone band SIB series  
See page SIB-1



Suspension bracket WM series  
See page WM-1



Neodymium magnet NMG series  
See page NMG-1



**SERIAL FLASH PROGRAMMER**

Product by Minato Holdings (Japan)



Snap-in battery box LD • LDN series  
See page LD • LDN-1 ~ LD • LDN-2



PCB mounting screw EM-2.3  
See page EM• MR-1



Tapping standoff TPS series  
See page TPS• MT-1

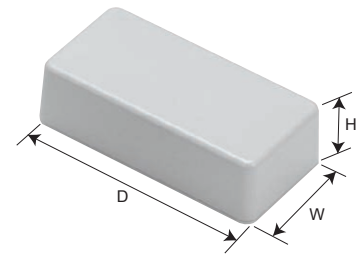


**SURGE PROTECTION DEVICE CHECKER**

Product by OTOWA Electric (Japan)

### Color Type

Series	Code	Top cover	Bottom cover	Screw
TW	G	Light gray	Light gray	Trivalent chromate
	B	Black	Black	Black trivalent chromate
TWN	W	Off-white	Off-white	Nickel plated



### TW series (ABS UL94HB)

#### Product no. / Dimensions

Product no.		Dimensions			Screw	Weight (g)
● Light gray	● Black	W	H	D		
TW 4-2- 5G	TW 4-2- 5B	35	20	50	M2.6-12 × 2 pcs	13.5
TW 4-2- 6G	TW 4-2- 6B	35	20	60	M2.6-12 × 2 pcs	15.5
TW 4-2- 8G	TW 4-2- 8B	40.3	20	80.3	M2.6-12 × 2 pcs	22
TW 5-2- 5G	TW 5-2- 5B	50	15	50	M2.6-12 × 4 pcs	18
TW 5-3- 5G	TW 5-3- 5B	50	25	50	M2.6-12 × 4 pcs	22
TW 5-2- 7G	TW 5-2- 7B	50	15	70	M2.6-12 × 4 pcs	22
TW 5-3- 7G	TW 5-3- 7B	50	27.5	70	M2.6-12 × 4 pcs	29
TW 5-4- 7G	TW 5-4- 7B	50	40	70	M2.6-12 × 4 pcs	35
TW 5-3- 9G	TW 5-3- 9B	45	25	90	M3-12 × 4 pcs	30.5
TW 5-3-10G	TW 5-3-10B	50	30	100	M3-12 × 4 pcs	45.5
TW 7-2-11G	TW 7-2-11B	70	20	105	M2.6-14 × 4 pcs	56.5
TW 7-4-11G	TW 7-4-11B	70	35	105	M2.6-14 × 4 pcs	70
TW 7-5-11G	TW 7-5-11B	70	50	105	M2.6-14 × 4 pcs	83
TW 7-3-13G	TW 7-3-13B	65	25.6	130	M3-16 × 4 pcs	76
TW 7-5-13G	TW 7-5-13B	65	50.1	130	M3-16 × 4 pcs	100
TW 8-2- 8G	TW 8-2- 8B	80	20	80	M2.6-12 × 4 pcs	49
TW 8-4- 8G	TW 8-4- 8B	80	40	80	M2.6-12 × 4 pcs	65
TW 9-4-17G	TW 9-4-17B	85.5	35.5	170	M3-16 × 4 pcs	133
TW 9-6-17G	TW 9-6-17B	85.5	60.5	170	M3-16 × 4 pcs	168
TW11-5-22G	TW11-5-22B	110	45.3	220	M3-16 × 4 pcs	223
TW11-8-22G	TW11-8-22B	110	75.3	220	M3-16 × 4 pcs	277
TW13-3-13G	TW13-3-13B	125	25	125	M3-16 × 4 pcs	135
TW13-5-13G	TW13-5-13B	125	45	125	M3-16 × 4 pcs	165.5
TW13-3-18G	TW13-3-18B	125	25	175	M3-16 × 4 pcs	184.5
TW13-5-18G	TW13-5-18B	125	45	175	M3-16 × 4 pcs	218
TW13-7-18G	TW13-7-18B	125	65	175	M3-16 × 4 pcs	254

### TWN series (ABS UL94V-0)

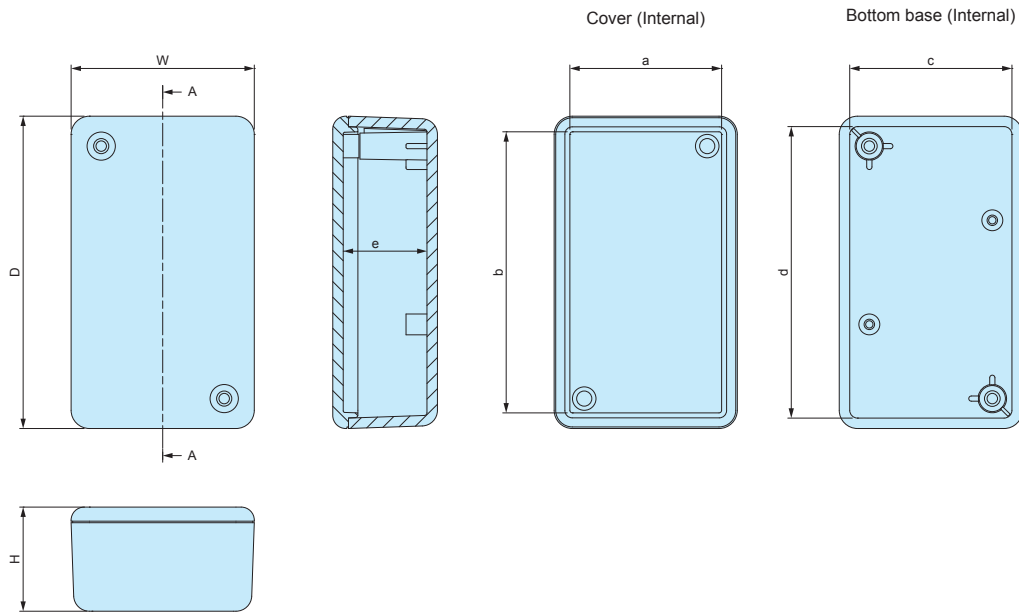
#### Product no. / Dimensions

Product no.	W	H	D	Screw	UL class	Weight (g)
TWN 4-2- 5W	35	20	50	M2.6-12 × 2 pcs	UL94V-0	16.5
TWN 4-2- 6W	35	20	60	M2.6-12 × 2 pcs	UL94V-0	18
TWN 4-2- 8W	40.3	20	80.3	M2.6-12 × 2 pcs	UL94V-0	26
TWN 5-2- 7W	50	15	70	M2.6-12 × 4 pcs	UL94V-0	24.5
TWN 5-3- 7W	50	27.5	70	M2.6-12 × 4 pcs	UL94V-0	33
TWN 5-4- 7W	50	40	70	M2.6-12 × 4 pcs	UL94V-0	39.5
TWN 5-3- 9W	45	25	90	M3-16 × 4 pcs	UL94V-0	35
TWN 7-2-11W	70	20	105	M2.6-14 × 4 pcs	UL94V-0	64.5
TWN 7-4-11W	70	35	105	M2.6-14 × 4 pcs	UL94V-0	80
TWN 7-5-11W	70	50	105	M2.6-14 × 4 pcs	UL94V-0	94.5
TWN 7-3-13W	65	25.6	130	M3-16 × 4 pcs	UL94V-0	85
TWN 7-5-13W	65	50.1	130	M3-16 × 4 pcs	UL94V-0	115.5
TWN 8-2- 8W	80	20	80	M2.6-12 × 4 pcs	UL94V-0	55.5
TWN 8-4- 8W	80	40	80	M2.6-12 × 4 pcs	UL94V-0	75
TWN 9-4-17W	85.5	35.5	170	M3-16 × 4 pcs	UL94V-0	151
TWN 9-6-17W	85.5	60.5	170	M3-16 × 4 pcs	UL94V-0	191
TWN11-5-22W	110	45.3	220	M3-16 × 4 pcs	UL94V-0	254
TWN11-8-22W	110	75.3	220	M3-16 × 4 pcs	UL94V-0	316
TWN13-3-13W	125	25	125	M3-16 × 4 pcs	UL94V-0	156.5
TWN13-5-13W	125	45	125	M3-16 × 4 pcs	UL94V-0	190
TWN13-3-18W	125	25	175	M3-16 × 4 pcs	UL94V-0	206.5
TWN13-5-18W	125	45	175	M3-16 × 4 pcs	UL94V-0	249
TWN13-7-18W	125	65	175	M3-16 × 4 pcs	UL94V-0	290.5

**TW / TWN • TWS dimensions**

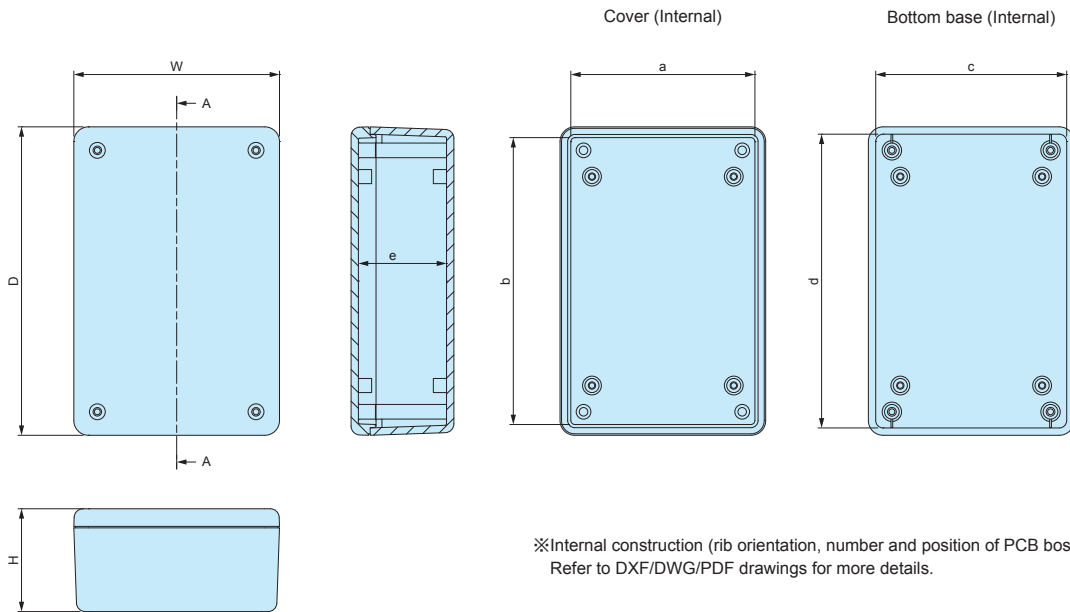
■ Drawings below are reference examples only.  
DXF/DWG/PDF drawings available on our website.

TW / TWN4-2-5 • TW / TWN4-2-6 • TW / TWN4-2-8



Product no.	W	H	D	a	b	c	d	e
TW • TWN4-2-5□	35	20	50	28.2	43.2	28.9	43.9	16
TW • TWN4-2-6□	35	20	60	28.2	53.2	28.9	53.9	16
TW • TWN4-2-8□	40.3	20	80.3	33.5	73.5	34.2	74.2	16

TW5-2-5 • TW5-3-5 • TW / TWN5-2-7 • TW / TWN5-3-7 • TW / TWN5-4-7  
TW / TWN7-2-11 • TW / TWN7-4-11 • TW / TWN7-5-11 • TW / TWN8-2-8 • TW / TWN8-4-8



※Internal construction (rib orientation, number and position of PCB bosses) vary by model.  
Refer to DXF/DWG/PDF drawings for more details.

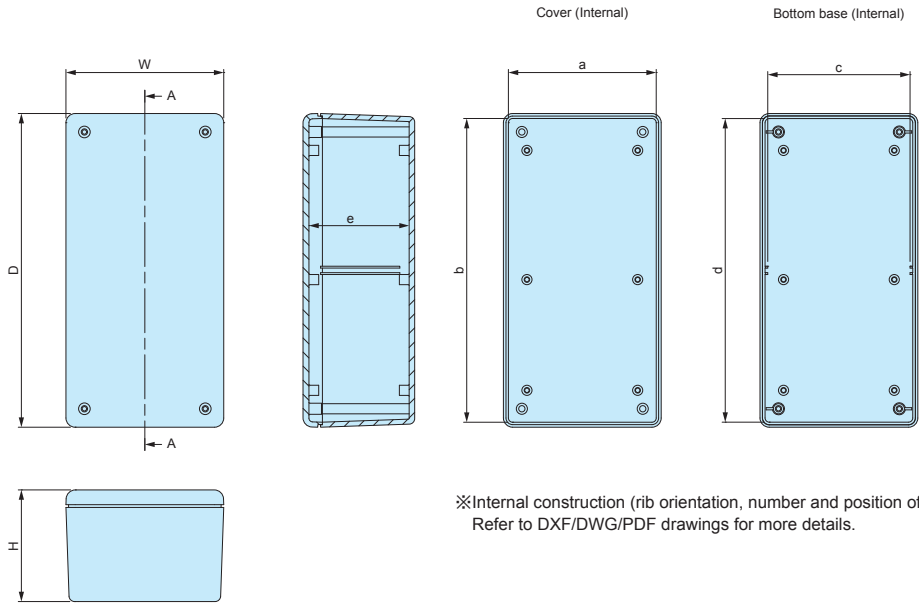
Product no.	W	H	D	a	b	c	d	e
TW 5-2- 5□	50	15	50	42.8	42.8	44.3	44.3	11
TW 5-3- 5□	50	25	50	42.8	42.8	43.6	43.6	21
TW • TWN5-2- 7□	50	15	70	43.2	63.2	44.3	64.3	11
TW • TWN5-3- 7□	50	27.5	70	43.2	63.2	43.4	63.4	23.5
TW • TWN5-4- 7□	50	40	70	43.2	63.2	42.5	62.5	36
TW • TWN7-2-11□	70	20	105	61.2	96.2	63.2	98.2	15
TW • TWN7-4-11□	70	35	105	61.2	96.2	62.2	97.2	30
TW • TWN7-5-11□	70	50	105	61.2	96.2	61.1	96.1	45
TW • TWN8-2- 8□	80	20	80	71.6	71.6	73	73	15
TW • TWN8-4- 8□	80	40	80	71.6	71.6	71.6	71.6	35

TW / TWN5-3-9 • TW5-3-10

TW / TWN7-3-13 / TWS7-3-13 (Internal enclosure) • TW / TWN7-5-13 / TWS7-5-13 (Internal enclosure)

TW / TWN9-4-17 / TWS9-4-17 (Internal enclosure) • TW / TWN9-6-17 / TWS9-6-17 (Internal enclosure)

TW / TWN11-5-22 / TWS11-5-22 (Internal enclosure) • TW / TWN11-8-22 / TWS11-8-22 (Internal enclosure)



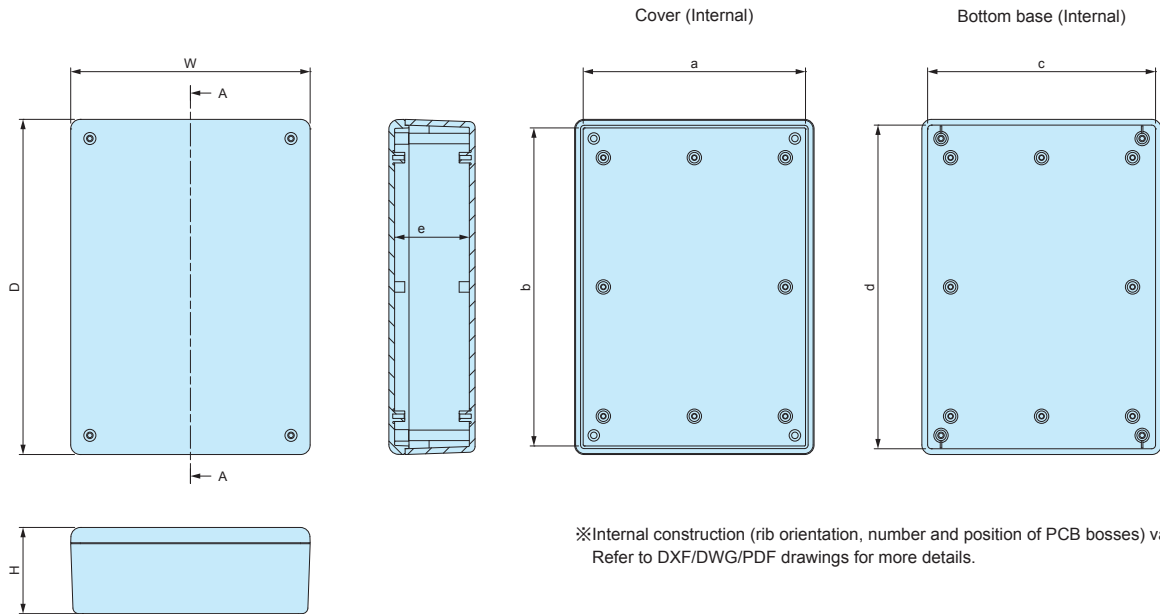
※Internal construction (rib orientation, number and position of PCB bosses) vary by model  
Refer to DXF/DWG/PDF drawings for more details.

Product no.	W	H	D	a	b	c	d	e
TW • TWN 5-3- 9□	45	25	90	37.8	82.8	37.7	82.7	21
TW 5-3-10□	50	30	100	42.6	92.6	42.3	92.3	26
TW • TWN 7-3-13□	65	25.6	130	55.3	120.3	57.7	122.7	19.6
TW • TWN 7-5-13□	65	50.1	130	55.3	120.3	55.9	120.9	44.1
TW • TWN 9-4-17□	85.5	35.5	170	75.7	160.2	77.1	162	29.3
TW • TWN 9-6-17□	85.5	60.5	170	75.7	160.2	75.7	160.2	54.3
TW • TWN11-5-22□	110	45.3	220	100.1	210.1	101.4	211.4	39.1
TW • TWN11-8-22□	110	75.3	220	100.1	210.1	99.3	209.3	69.1

TW / TWN13-3-13 / TWS13-3-13 (Internal enclosure) • TW / TWN13-5-13 / TWS13-5-13 (Internal enclosure)

TW / TWN13-3-18 / TWS13-3-18 (Internal enclosure) • TW / TWN13-5-18 / TWS13-5-18 (Internal enclosure)

TW / TWN13-7-18 / TWS13-7-18 (Internal enclosure)

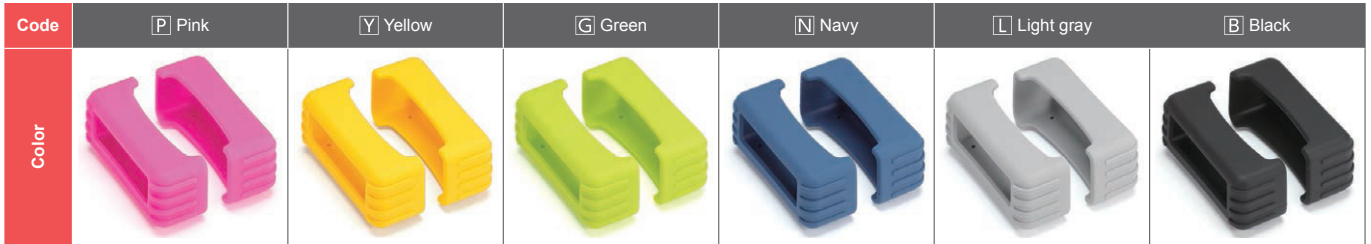


※Internal construction (rib orientation, number and position of PCB bosses) vary by model  
Refer to DXF/DWG/PDF drawings for more details.

Product no.	W	H	D	a	b	c	d	e
TW • TWN13-3-13□	125	25	125	114.5	114.5	117.2	117.2	19
TW • TWN13-5-13□	125	45	125	114.5	114.5	115.8	115.8	39
TW • TWN13-3-18□	125	25	175	114.5	164.5	117	167	19
TW • TWN13-5-18□	125	45	175	114.5	164.5	115.6	165.6	39
TW • TWN13-7-18□	125	65	175	114.5	164.5	114.2	164.2	59

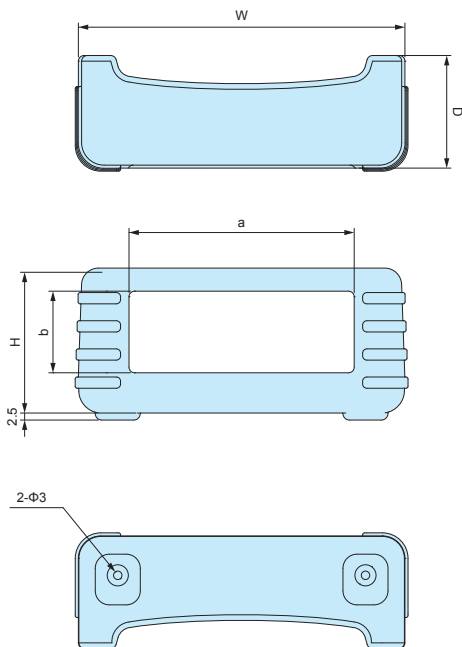
**TWSC SERIES SILICONE PROTECTOR for TW•TWN**

Color Type



- Silicone Protector for TW • TWN series. Selectable in 6 colors.
- Please select a model based on the suitable plastic case as listed below. The silicone protector is a set of 2 pcs.
- Custom color is available from 500 pairs per order. Please specify the **PANTONE®** color number or provide your sample color.

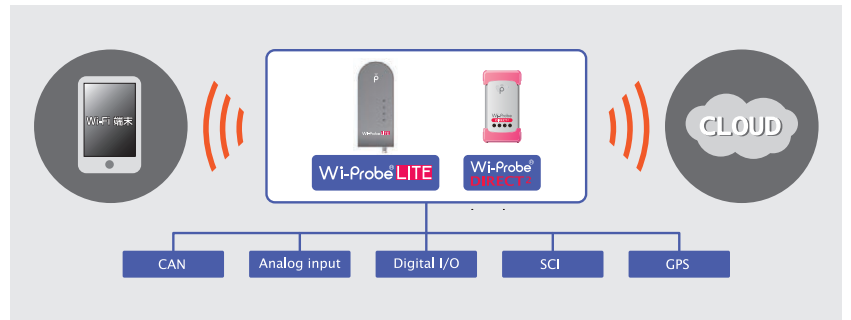
■ DXF/DWG/PDF drawings available on our website.



**APPLICATION EXAMPLE**

**Wi-Fi DIRECT DATA LOGGER**

Product by Tkcc (Japan)



**Components**

Part name	Pcs	Material	Color / Finish
Silicone protector	1 set (2 pcs)	Silicone	Pink • Yellow • Green • Navy • Light gray • Black
Self tapping screw	4	Steel M3-20	Black trivalent chromate

**Product no. / Dimensions**

■ Please suffix color code at the end of the product number.

Product no.	W	H	D	a	b	c	d	e	f	g	h	Suitable case	Weight (g)
TWSC 7-3□	71	32	27	52	13.5	3.2	3.3	12	47	12	15	TW / TWN 7-3-13	41
TWSC 7-5□	71	56	27	52	37.5	3.15	3.1	12	47	12	15	TW / TWN 7-5-13	47.5
TWSC 9-4□	91.5	41.5	33	67	22	3.1	3.15	13	65.5	13	20	TW / TWN 9-4-17	60
TWSC 9-6□	91.5	66.5	33	67	46.5	3.2	3.3	13	65.5	13	20	TW / TWN 9-6-17	75
TWSC11-5□	116	51.5	40	80	29	3.25	3.3	14	88	14	26	TW / TWN11-5-22	102.5
TWSC11-8□	116	81.5	40	80	58	3.2	3.3	14	88	14	26	TW / TWN11-8-22	122
TWSC13-3□	131	31	38	101	13	3.15	3.2	13	105	13	25	TW / TWN13-3-13 TW / TWN13-3-18	87
TWSC13-5□	131	51	38	101	29.5	3.3	3.3	13	105	13	25	TW / TWN13-5-13 TW / TWN13-5-18	104
TWSC13-7□	131	71	38	101	48.5	3.3	3.3	13	105	13	25	TW / TWN13-7-18	117

SIB SERIES

SILICONE BAND



Application example

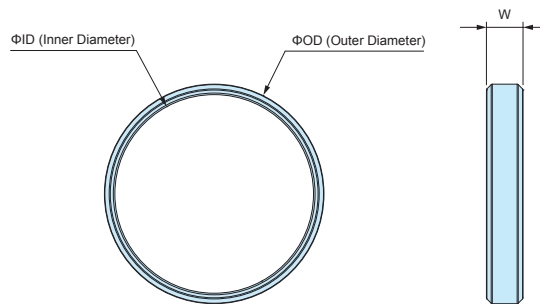


- Silicone band designed to fit TW & TWN series. Refer to the table below for size suitability.
- Silicone band provides both shock resistance and non-slip grips for the TW & TWN enclosure.

Color Type

Code	R Red	O Orange	Y Yellow	G Green	C Cyan	N Navy	L Light gray	B Black
Color								

SIB dimensions



Components

Part name	Pcs	Material	Color
Silicone band	Pair (2 pcs)	Silicone	Red • Orange • Yellow • Green • Cyan • Navy • Light gray • Black

Product no. / Dimensions

■ Please suffix color code at the end of the product number.

Product no.	W	ID	OD	Suitable enclosures	Weight (g)
<b>NEW</b> SIB-21□	6	21	25	TW/TWN4-2-5 • 4-2-6 • 4-2-8 • 5-2-5 • 5-2-7 • 5-3-9	2
<b>NEW</b> SIB-38□	7	38	42	TW/TWN5-3-5 • 5-3-7 • 5-4-7 • 5-3-10 • 7-2-11 • 7-4-11 7-3-13 • 8-2-8	4
<b>NEW</b> SIB-58□	8	58	63	TW/TWN7-5-11 • 7-5-13 • 8-4-8 • 9-4-17	10
<b>NEW</b> SIB-72□	10	72	77	TW/TWN 9-6-17 • 11-5-22 • 11-8-22 • 13-3-13 • 13-5-13 13-3-18 • 13-5-18 • 13-7-18	14

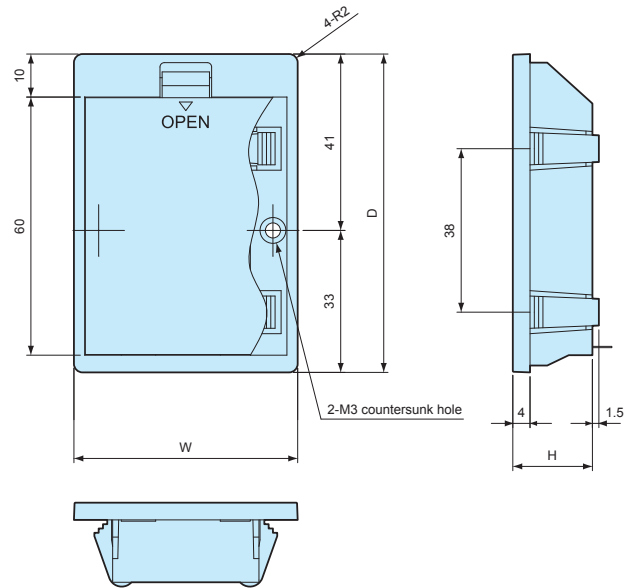
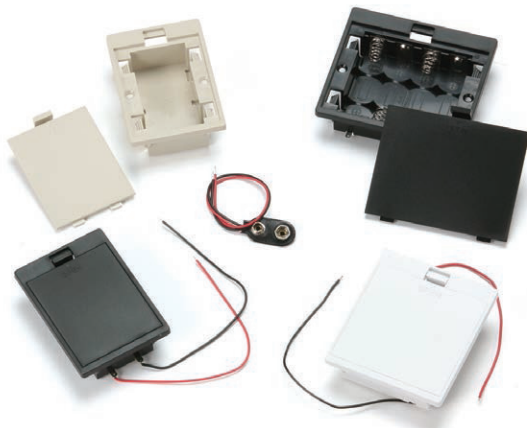
**LD • LDN SERIES**

**SNAP-IN BATTERY BOX**

Snap-in battery holders are available for installation onto TWS • TW • TWN series.  
Hole milling is required for installation of battery holder.



■ Drawings below are reference examples only.  
DXF/DWG/PDF drawings available on our website.



**Color Type**

Code	Color	Material
G	Light gray	ABS UL94HB
B	Black	ABS UL94HB
W	White	PC+ABS UL94V-0

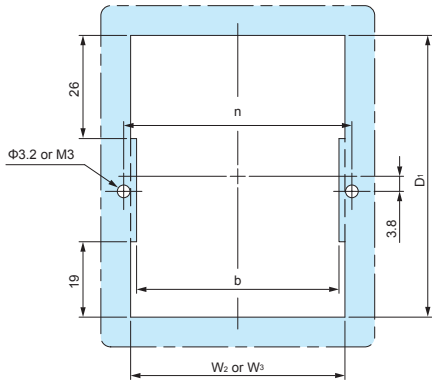
※ See website for more details

**Product no. / Dimensions**

Product no.			Battery compartment	Dimensions		TWS • TW • TWN suitable models
● Light gray	● Black	● White		W	H	
LD-006PG LDN-006PG	LD-006PB LDN-006PB	LD-006PW LDN-006PW	9V x 1	52	21.5	7-5-11, 7-5-13, 8-4-8, 9-4-17, 9-6-17, 11-5-22, 11-8-22, 13-3-13, 13-5-13, 13-3-18, 13-5-18, 13-7-18
LD-2G LDN-2G	LD-2B LDN-2B	LD-2W LDN-2W	AA x 2	52	18.5	7-4-11, 7-5-11, 7-3-13, 7-5-13, 8-2-8, 8-4-8, 9-4-17, 9-6-17, 11-5-22, 11-8-22, 13-3-13, 13-5-13, 13-3-18, 13-5-18, 13-7-18
LD-3G LDN-3G	LD-3B LDN-3B	LD-3W LDN-3W	AA x 3	64.5	18.5	7-4-11, 7-5-11, 9-4-17, 9-6-17, 11-5-22, 11-8-22, 13-3-13, 13-5-13, 13-3-18, 13-5-18, 13-7-18
LD-4G LDN-4G	LD-4B LDN-4B	LD-4W LDN-4W	AA x 4	82	18.5	9-4-17, 9-6-17, 11-5-22, 11-8-22, 13-3-13, 13-5-13, 13-3-18, 13-5-18, 13-7-18

LD : without Lead-wire version LDN : with Lead-wire (140mm) version

LD • LDN mounting hole



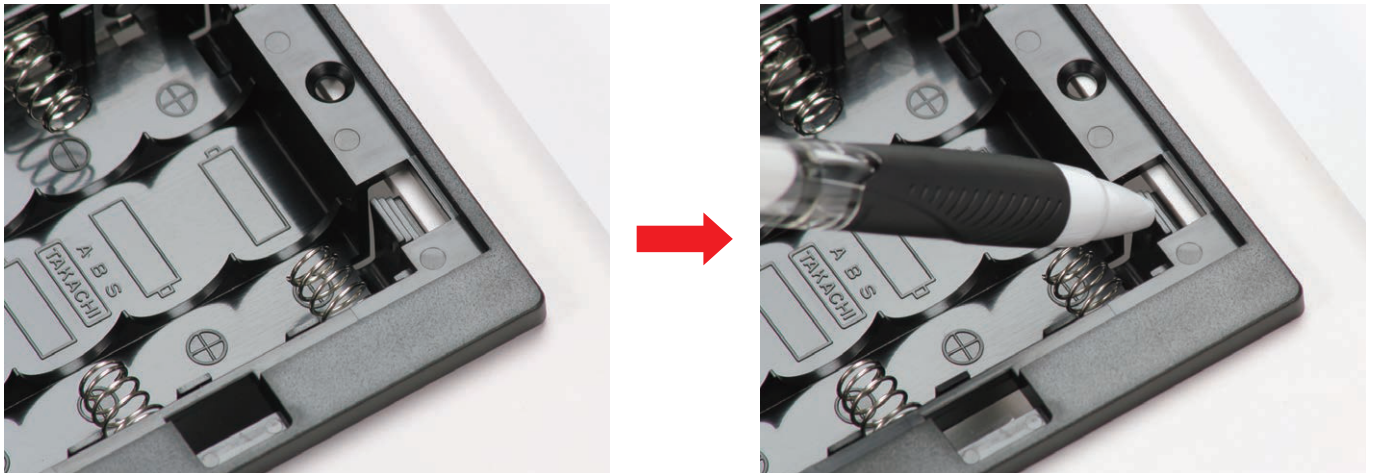
Mounting hole dimension

Product no.	W <sub>2</sub> (thickness=2.5mm)	W <sub>3</sub> (thickness=3.0mm)	D1	b	n
LD / LDN-2 • 006P	38.5	40.5	70.6	34.5	40.5
LD / LDN-3	52.5	54	70.4	49	53
LD / LDN-4	68.5	70.5	70.6	64.5	70.1

■ W<sub>2</sub> or W<sub>3</sub> size depends on the thickness of the enclosure wall used for mounting.

How to mount the battery box on the enclosure

Please push the hook using a thin stick when mounting the battery box on the enclosure.  
Please use minimal force when pushing to avoid breaking it.



Customization available



Contact us with your drawings.

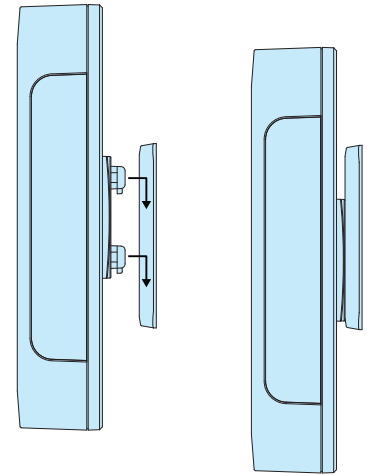
E-mail : [sales@takachi-el.co.jp](mailto:sales@takachi-el.co.jp)



WM SERIES

SUSPENSION BRACKET

How to install

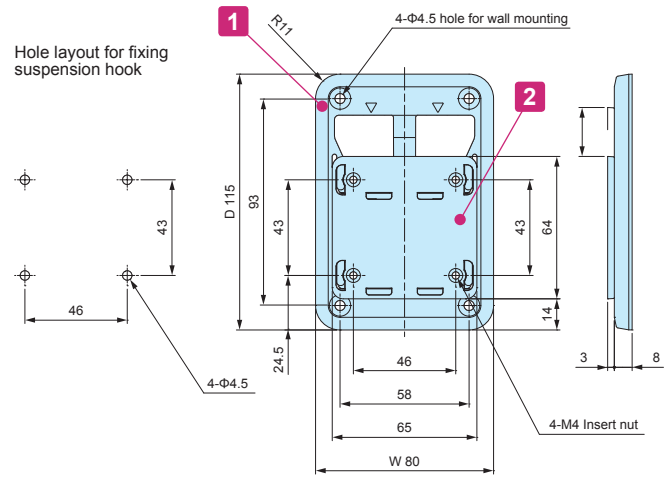
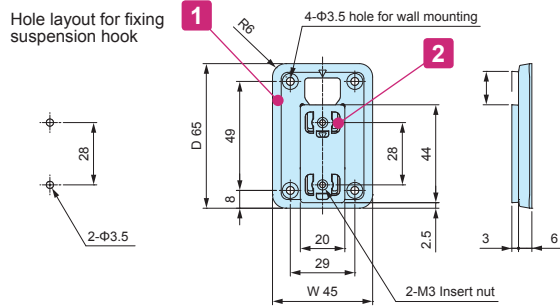


- Plastic wall mounting bracket. Easy attachment and removal.
- Large and small brackets are available.
- Applicable not only for the PF series, but also other plastic/metal enclosures with a panel thickness of 0.8 ~ 3.5mm.
- To attach the suspension hook onto the enclosure, hole milling is required.
- The max load values listed are static load values only. Use caution when handling.
- Please be aware of the insertion direction of the suspension hook against the mounting base when attaching.

Technical Data
Max load : 2 kg - WM-1 5 kg - WM-2

WM-1

WM-2



■ DXF/DWG/PDF drawings available on our website.

Components

No.	Part name	Pcs	Material	Color / Finish
1	Mounting base	1	PC + ABS UL94HB	Off-white • Dark gray
2	Suspension hook	1	PC + ABS UL94HB	Off-white • Dark gray
-	Insert nut	2 / 4	Brass	Unfinished
-	Screw	2	M3-8 Steel binding = WM-1	Nickel plated
-	Screw	4	M4-8 Steel binding = WM-2	Nickel plated

Product no. / Dimensions

Product no.		Dimensions		Mountable thickness	Weight (g)
● Off-white	● Dark gray	W	D		
WM-1W	WM-1D	45	65	t0.8 ~ t3.5	11.5
WM-2W	WM-2D	80	115	t0.8 ~ t3.5	48

NMG SERIES

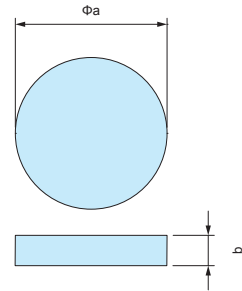
NEODYMIUM MAGNET



Round magnet



- Material / Finish: Neodymium / Nickel plated
- Please attach using a strong adhesive.



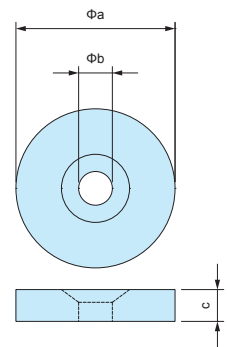
Components

Product no.	a	b	Weight (g)	Flus Density	Adsorption
NMG3-15N	15	3	4	214.4 mT	2.44 kgf
NMG3-20N	20	3	7.1	170.7 mT	3.26 kgf
NMG5-22N	22	5	11.4	247.2 mT	5.91 kgf
NMG5-25N	25	5	18.4	221.9 mT	6.89 kgf

Round magnet with countersunk hole



- Please fasten with a screw.



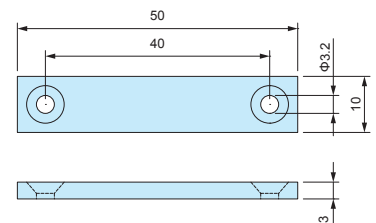
Components

Product no.	a	b	c	Countersunk size	Weight (g)	Flus Density	Adsorption
NMG3-15M3	15	3.2	3	M3	3.8	214.3 mT	2.33 kgf
NMG3-20M3	20	3.2	3	M3	6.9	170.6 mT	3.17 kgf
NMG5-22M4	22	4.3	5	M4	13.7	247.2 mT	5.68 kgf
NMG5-25M5	25	5.3	5	M5	17.6	221.9 mT	6.58 kgf

Rectangular magnet with countersunk holes



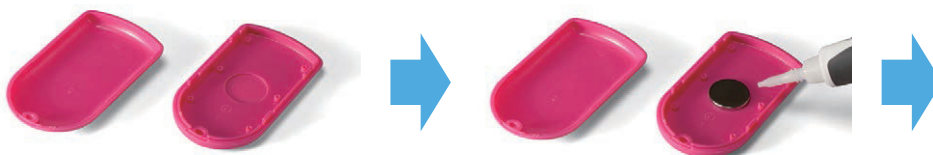
- Please fasten with a screw.



Components

Product no.	a	b	c	Countersunk size	Weight (g)	Flus Density	Adsorption
NMG3-50M3	50	10	3	M3	11.3	210.0 mT	9.1 kgf

Example 1 The magnetic force remains strong even through plastic.

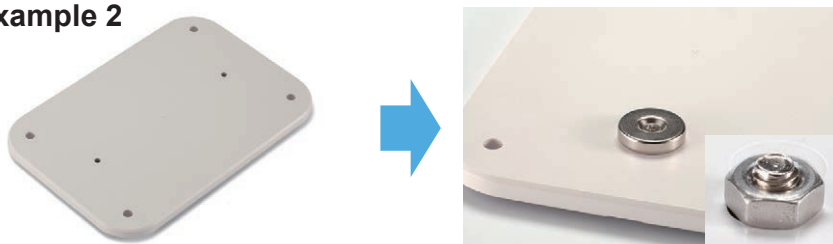


Make recessed pocket on the inside wall.

Glue on.

Attach onto a metallic surface.

Example 2



Make holes

Fasten with a screw and nut.

Attach onto a metallic surface.

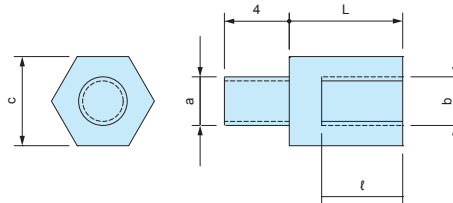
**CAUTION: Handle with care to avoid personal injury or damage to the magnet.**

TPS SERIES

TAPPING STANDOFF



- Tapping screw head allows for easy installation onto existing enclosure boss mount.
- 3 different sizes available : M2.3, M2.6 and M3 size.



Product no. / Dimensions

■ Material / Finish : Brass / Unfinished

Product no.	Screw size (a)	Screw size (b)	c	L	ℓ	Pack of	Recommended enclosure models	
TPS-M2.3-4	M2.3	M2.3	5	4	3	4	WH series • PFE series LC • LCE • LCS • LCT series PF • PFF series (M2.3 boss models) TW • TWN • TWF series (M2.3 boss models) WP series (M2.3 boss models)	
TPS-M2.3-5	M2.3	M2.3	5	5	3	4		
TPS-M2.3-6	M2.3	M2.3	5	6	4	4		
TPS-M2.3-7	M2.3	M2.3	5	7	5	4		
TPS-M2.3-8	M2.3	M2.3	5	8	6	4		
TPS-M2.3-10	M2.3	M2.3	5	10	6	4		
TPS-M2.3-12	M2.3	M2.3	5	12	6	4		
TPS-M2.6-4	M2.6	M2.6	5	4	3	4		PF • PFF series (M2.6 boss models) WP series (M2.6 boss models)
TPS-M2.6-5	M2.6	M2.6	5	5	3	4		
TPS-M2.6-7	M2.6	M2.6	5	7	5	4		
TPS-M2.6-10	M2.6	M2.6	5	10	6	4		
TPS-M2.6-12	M2.6	M2.6	5	12	6	4	SU • OP series TWS • TW • TWN • TWF series (M3 boss models)	
TPS-M3-4	M3	M3	5.5	4	3	4		
TPS-M3-5	M3	M3	5.5	5	3	4		
TPS-M3-6	M3	M3	5.5	6	4	4		
TPS-M3-7	M3	M3	5.5	7	5	4		
TPS-M3-8	M3	M3	5.5	8	5	4		
TPS-M3-10	M3	M3	5.5	10	6	4		
TPS-M3-12	M3	M3	5.5	12	6	4		



- Please use a suitable sized socket driver to both secure and loosen the tapping standoff.



How to tighten

MT SERIES

PCB MOUNTING SCREWS for TPS



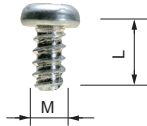
- PCB mounting Screws for TPS tapping standoffs.

Product no. / Dimensions

Product no.	M	L	Head style	Material	Finish	Pack of
<b>NEW</b> MT2.3-4	2.3	4	Pan	Steel	Trivalent chromate	20
<b>NEW</b> MT2.3-6	2.3	6		Steel	Trivalent chromate	20
<b>NEW</b> MT2.6-4	2.6	4		Steel	Trivalent chromate	20
MT3-4	3	4		Steel	Trivalent chromate	20

EM SERIES

PCB MOUNTING SCREW



- Self-tapping screws for mounting PCB on bosses or standoffs.
- EM-3-6 self-tapping screws are suitable for mounting 1.6mm or thicker PCB.

Product no. / Dimensions

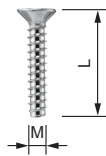
Product no.	M	L	Material	Finish	Suitable enclosures	Pack of
EM-1.6	1.6	4	Steel	Trivalent chromate	WC • CSS • CS • PS (M1.6 size)	50
EM-2	2	5	Steel	Trivalent chromate	PS • TW • TWN • TWF • WP (M2 size)	50
EM-2.3	2.3	6	Steel	Trivalent chromate	WH • LC • LCT • LCS • LCE • PFE WSC (Top cover bosses) PF • PFF (M2.3 size) TW • TWN • TWF (M2.3 size) WP (M2.3 size)	50
<b>NEW</b> EM-2.3-8	2.3	8	Steel	Trivalent chromate	WSC (Bottom base bosses)	50
EM-2.6	2.6	6	Steel	Trivalent chromate	PF • PFF • WP (M2.6 size)	50
EM-3	3	5	Steel	Trivalent chromate	SU TWS • TW • TWN • TWF (M3 sizes)	50
EM-3-6	3	6	Steel	Trivalent chromate		50

MR SERIES

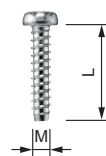
TORX SCREW



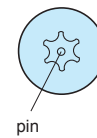
Countersunk head



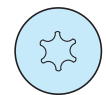
Pan head



With pin



★ Without pin



★ : MR1.6-6S, MR-2S, MR2.6-10□, and MR3-14□ are without pin.

Product no. / Dimensions

★Mark = Without pin

Product no.	M	L	head no.	Head style	Material	Finish	Suitable enclosures	Pack of
MR1.6-6S★	1.6	6	T3	Pan	Steel	Nickel plated	CS • CSS	20
MR2.5-8PS	2.5	8	T8	Pan	Steel	Nickel plated	PF • PFE • PFF (M2.5 size)	20
MR2.6-10S★	2.6	10	T8	Countersunk	Steel	Nickel plated	TW • TWN (M2.6 models) TWF (M2.6 models)	20
MR2.6-10B★	2.6	10	T8	Countersunk	Steel	Black trivalent chromate	MX • MXA • MXB • MXF (M2.6 models)	20
MR2.6-12PS	2.6	12	T8	Pan	Steel	Nickel plated	LCT • LCS • LC115-F2 / F3 LCT • LCS • LC145S-F6	20
MR2.6-14PS	2.6	14	T8	Pan	Steel	Nickel plated	LCT • LCS • LC115H-F2 / F3 / M2 / 9V LCT • LCS • LC135-F4 / M2 / M3 / 9V LCT • LCS • LC135H-F4 / M2 / M3 / 9V LCT • LCS • LC145-F6 / M2 / M4 LCT • LCS • LC145H-F6 / M2 / M4 LCT • LCS • LC165-M4 LCT • LCS • LC165H-M4	20
MR2.6-14S	2.6	14	T8	Countersunk	Steel	Nickel plated	LCT • LCS • LC115-N / F2 / F3 LCT • LCS • LC145S-F6 / 145S-N LCE115-N TW • TWN7-2-11 / 7-4-11 / 7-5-11 TWF7-2-11 / 7-4-11 / 7-5-11 / 8-2-8 / 8-4-8	20
MR2.6-18S	2.6	18	T8	Countersunk	Steel	Nickel plated	LCT • LCS • LC115H-N / F2 / F3 / M2 / 9V LCT • LCS • LC135-N / F4 / M2 / M3 / 9V LCT • LCS • LC135H-N / F4 / M2 / M3 / 9V LCT • LCS • LC145-N / F6 / M2 / M4 LCT • LCS • LC145H-N / F6 / M2 / M4 LCT • LCS • LC165-N / M4 LCT • LCS • LC165H-N / M4 LCE115H-N • LCE135-N • LCE145H-N • LCE165H-N	20
MR3-8PS	3	8	T10	Pan	Steel	Nickel plated	PF • PFE • PFF (M3 size)	20
MR3-14S★	3	14	T10	Countersunk	Steel	Nickel plated	TW • TWN (M3 models)	20
MR3-14B★	3	14	T10	Countersunk	Steel	Black trivalent chromate	TWF (M3 models) MX • MXA • MXB • MXF (M3 models)	20
MR-1S	3	5	T10	Countersunk	Steel	Nickel plated	UC	20
MR-1B	3	5	T10	Countersunk	Steel	Black trivalent chromate	UC • UCY • US	20
MR-2S	3	10	T10	Countersunk	Steel	Nickel plated	HEN	20