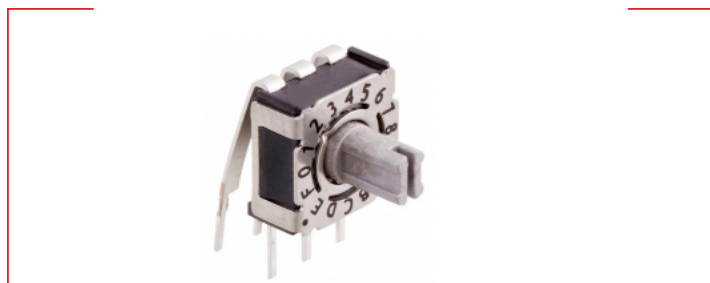


**Technical data // P36THR 1 01 L254 -**

Rotary Code Switch

Angular 2.54 mm Through Hole Reflow

**Highlights**

- Solid PCB pins
- Contacts with abrasion resistant hard gold plating
- Central C-contact
- Extra sealed design with high temperature resistance
- Switches are solder and flux sealed and washable
- 100 % electronic inspection and testing
- 90° turned zero position available
- Pin rows with initial tension, no automated assembly possible

Mechanical Data

Type	vertical
Fixation mode	THR
Height	7.7 mm
Length	5.24 mm
Width	7.4 mm
Pin connection	3+3
Perm. ambient temperature	-50 °C ... +125 °C
Perm. storage temperature	-55 °C ... +135 °C
Torque	1.2 ± 0.2 Ncm
Mechanical lifetime	25.000 steps
Positions per rotation	10 / 16 - more versions on request
Degree of protection	comparable IP67
Sealing	O-Ring
Humidity	21 days at 40 °C, 93 %RH
THR through holes	plated through
THR PCB hole diameter	0.8 mm
Outside diameter plated land	1.8 mm
Sinus-vibration testing	acc. IEC 68-2-6
Frequency range	10 Hz ... 500 Hz ... 10 Hz, sliding
Acceleration	10.0 g
Amplitude	6.0 mm



Technical data

// P36THR 1 01 L254 -

Rotary Code Switch

Angular 2.54 mm Through Hole Reflow

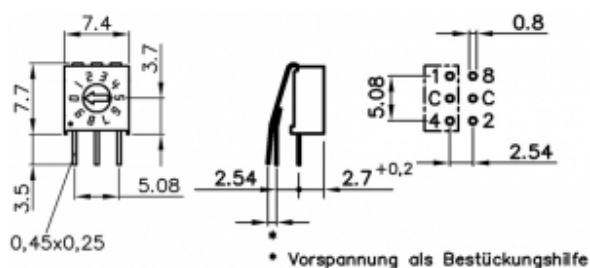
Mechanical Data

Shock testing	acc. IEC 68-2-27
Shock acceleration amplitude	50.0 g
Duration of nominal shock	11.0 ms
Directions	6 ($\pm x, \pm y, \pm z$) 3 times each
Reflow soldering	10 s / 260 °C
Wave soldering	Double Wave acc. DIN EN 61760-1:2006
Iron soldering	4 s / 350 °C

Electrical Data

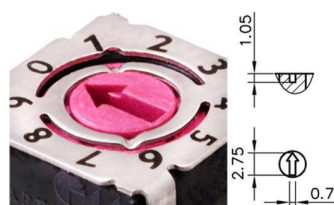
Operating voltage	≤ 42.0 V
Standby current	≤ 0.4 A
Contact load, dynamic	≤ 0.1 A
Minimum load	1.0 μ A 20mVDC
Test voltage	250.0 V 50 Hz / 1.0 min
Contact resistance	< 80.0 mOhm
Insulation resistance	> 100.0 MOhm

Technical Drawing



Configuration

Actuators



Arrow-shaped slot



Technical data

// P36THR 1 01 L254 -

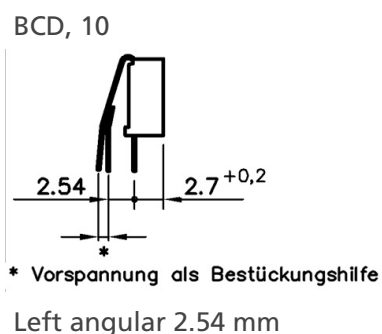
Rotary Code Switch

Angular 2.54 mm Through Hole Reflow

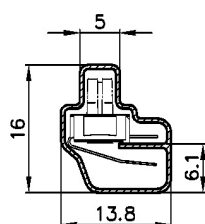
Codes

BCD Typ 01					
	C	1	2	4	8
0	●				0
1	●	●			1
2	●		●		2
3	●	●	●		3
4	●			●	4
5	●	●		●	5
6	●		●	●	6
7	●	●	●	●	7
8	●				●
9	●	●			●

Contact pins



Packing



Tube